



PRODUCT CATALOG

PRODUCT CATALOG 2019-2020

PRODUCT CATALOG 2019-2020

- 004** Introduction
- 009** **FIXTURE**
- 010** ET SYSTEM
- 016** SS SYSTEM
- 018** EM(MS) SYSTEM
- 023** **ABUTMENTS & COMPONENTS**
- 024** ET SYSTEM
- 078** SS SYSTEM
- 106** EM(MS) SYSTEM
- 111** **DENTURE SOLUTIONS**
- 112** DIGITAL DENTURE SOLUTION
- 114** LOCATOR®
- 129** **HIOSSEN KITS**
- 130** KITS
- 242** INSTRUMENTS
- 253** **EQUIPMENT**
- 254** IMPLANT MOTOR
- 258** ISQ MEASUREMENT
- 263** WIRELESS PROSTHETIC DRIVER
- 264** DENTAL CHAIR
- 267** **SURGICAL HAND INSTRUMENTS**
- 268** KARL SCHUMACHER
- 272** DOWELL
- 275** **GBR**
- 276** XENOGRAFT
- 276** ALLOGRAFT
- 280** ABSORBABLE MEMBRANE
- 281** NON-ABSORBABLE MEMBRANE
- 283** **DENTAL MATERIAL**
- 284** IMPRESSION
- 288** SUTURE
- 289** DISPOSABLE DENTAL NEEDLE
- 291** **ORAL CARE**
- 292** TOOTHPASTE
- 293** TOOTHBRUSH



Smiles That Last A Lifetime.

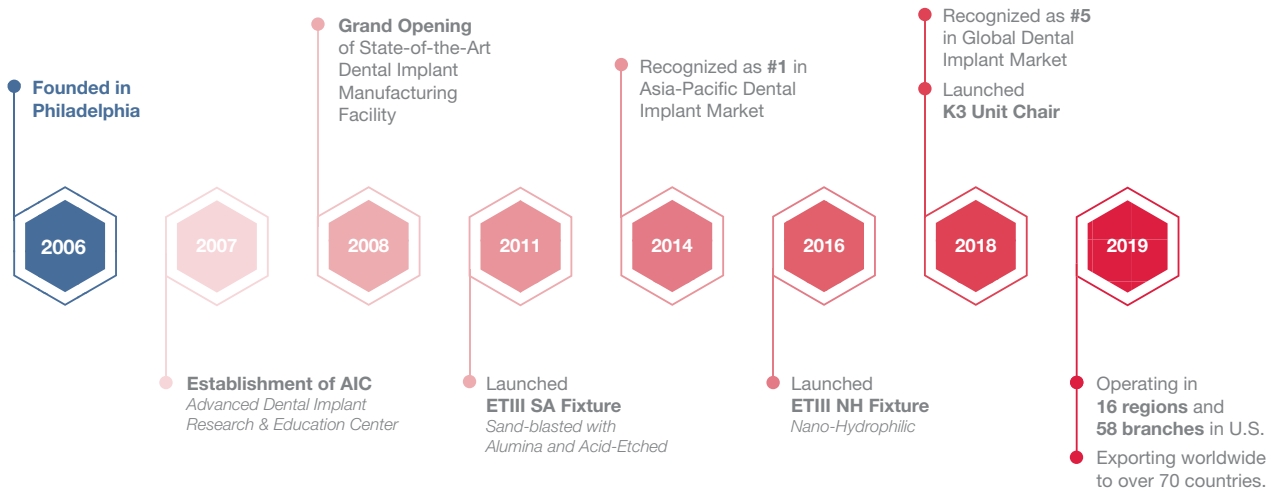
At Hiossen® Implant, together with our parent company Osstem, we have become one of the top five dental implant companies in the world through our dedication to developing innovative, safe, high quality and effective dental implants. We continue to achieve our mission by conducting rigorous testing, research and clinical studies, as well as by listening to clinical input and the utilization of a five-step quality control process.

Our Mission

We are more than a dental implant manufacturing company. The four areas on which we focus include:

- Dental Implants
- Dental Equipment and Supplies
- Digital Dentistry
- Advanced Clinical Education





**Global
Excellence
in Dentistry**





World's Most Selling Implant

Over 2 Million Fixtures Sold Every Year

Our Company

Hiossen Implant

around the **WORLD**

We are rapidly expanding worldwide with our advanced technology and superior quality, operating in 40 countries and exporting to more than 70 countries.

Australia

Georgia

Japan

Poland

Sweden

Bulgaria

Germany

Lithuania

Portugal

Syria

Canada

Hong Kong

Malaysia

Russia

Taiwan

Chile

India

Mexico

Saudi Arabia

Thailand

China

Indonesia

Norway

Serbia

Turkey

Croatia

Iran

Pakistan

Singapore

United Kingdom

Egypt

Italy

Peru

Slovakia

United States

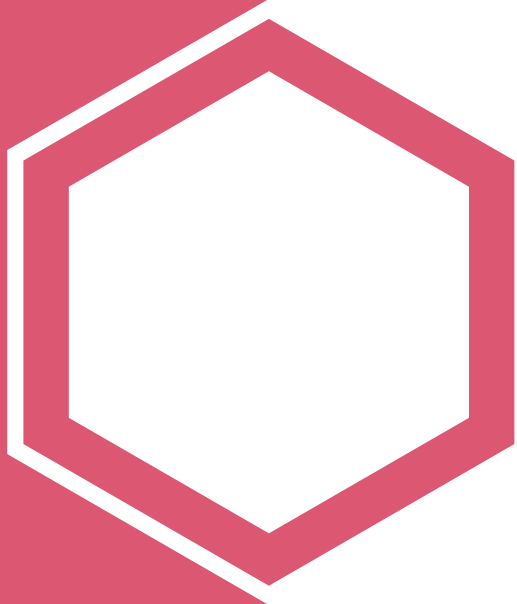
France

Korea

Philippines

Spain

Vietnam



FIXTURES

ET SYSTEM

- 010** ETIII NH Fixture
- 012** ETIII SA Fixture
- 014** ETIV SA Fixture

SS SYSTEM

- 016** SSIII SA Fixture

EM (MS) SYSTEM

- 018** EM (MS) SA Fixture

ETIII NH Fixture

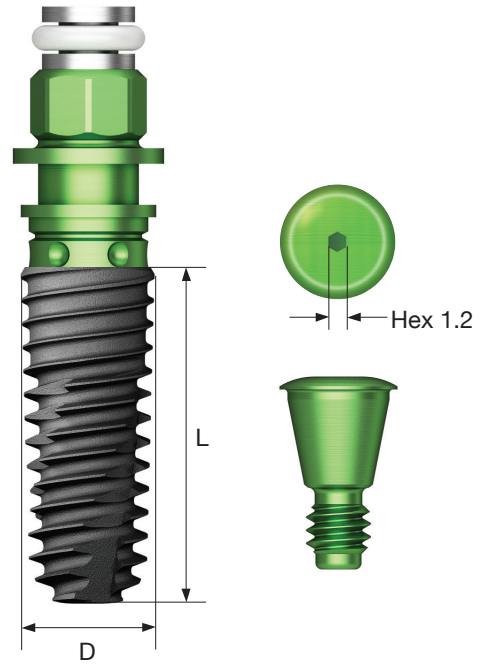
- Bone level with 11° Morse taper internal hex connection
- SA Surface coated with low crystalline nano-HA
- Taper body with corkscrew thread design that acquires superior initial stability
- Narrow threads that increases self-threading, path-correction and initial stability in soft bone
- Recommended fixture placement torque: 40 Ncm or less
- Recommended fixture size in posterior: Minimum Ø4.5mm
- F = Fixture

Narrow

- Optimized for narrow ridge
- Compatible with Mini platform components (Excluded: Cover screw, Mount, Lab analog)

Ultra-wide

- Optimized for posterior extraction and immediate placement, and replacement of failed implant case
- Efficient apex design that strengthens initial stability with immediate placement after extraction



Order Code

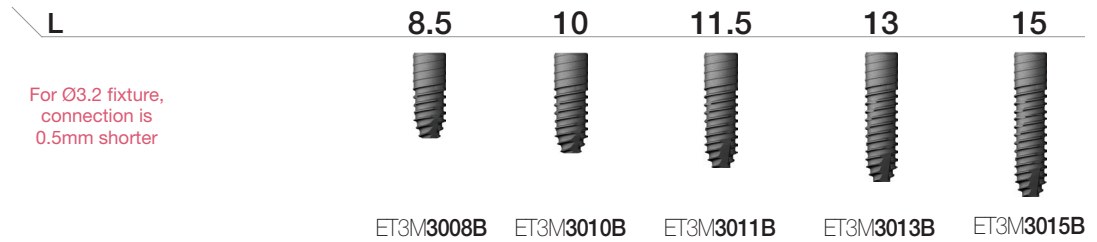
NoMount Fixture: Code starts with "C"

e.g. **CET3R4010B** for 4.0x10 NH coated non-mounted ETIII

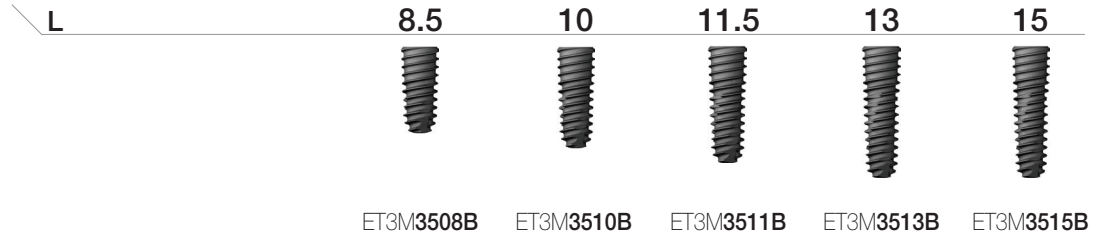
Mount Fixture: Code starts with "A"

e.g. **AET3R4010B** for 4.0x10 NH coated Pre-mounted ETIII

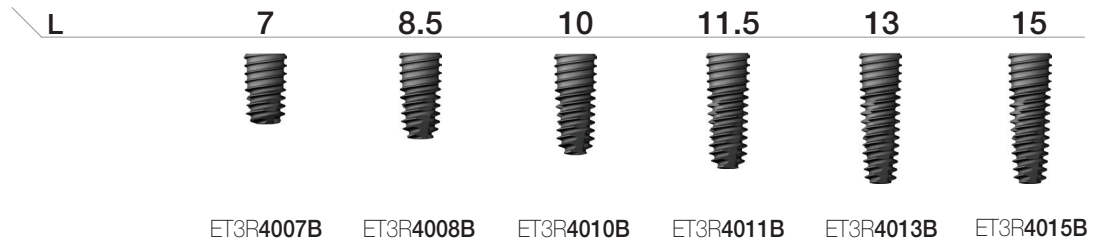
F 3.2 Hex 2.1 Narrow



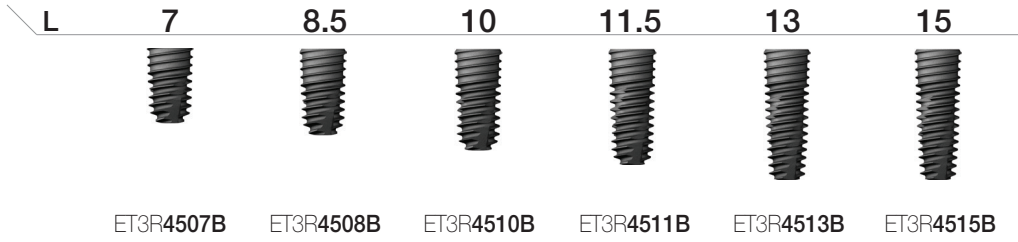
F 3.5 Hex 2.1



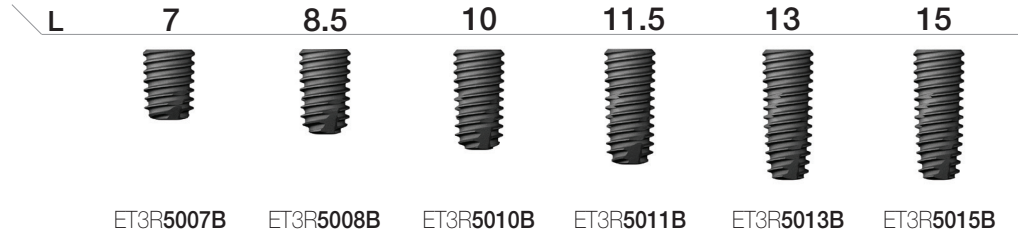
F 4.0 Hex 2.5



F4.5
Hex 2.5

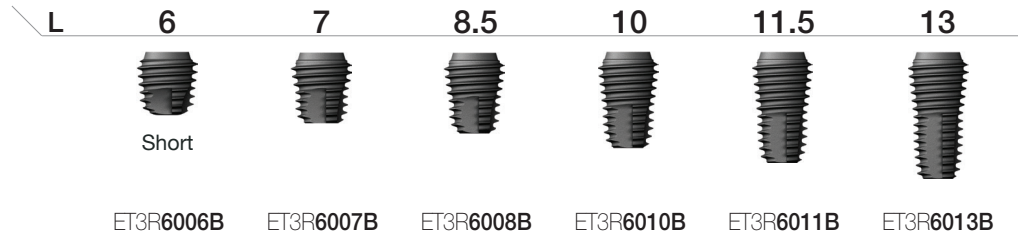


F5.0
Hex 2.5

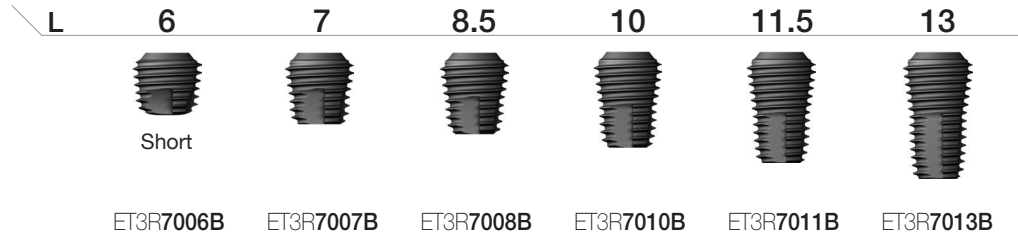


Ultra-Wide

F6.0
Hex 2.5



F7.0
Hex 2.5



Caution: Nominal diameter may differ from actual diameter

ETIII SA Fixture

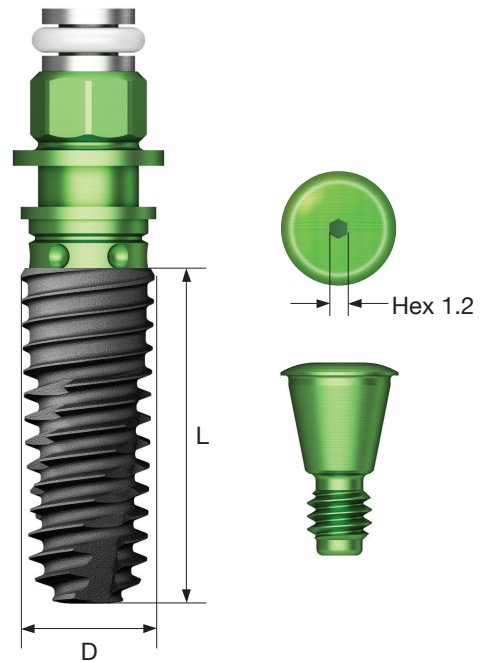
- Bone level with 11° Morse taper internal hex connection
- Taper body with corkscrew thread design that acquires superior initial stability
- Narrow threads that increase self-threading, path-correction and initial stability in soft bone
- Recommended fixture placement torque: 40 Ncm or less
- Recommended fixture size in posterior: Minimum Ø4.5mm
- F = Fixture

Narrow

- Optimized for narrow ridge
- Compatible with Mini platform components
(Excluded: Cover screw, Mount, Lab analog)

Ultra-wide

- Optimized for posterior extraction and immediate placement, and replacement of failed implant case
- Efficient apex design that strengthens initial stability with immediate placement after extraction



Order Code

NoMount Fixture: Code starts with "C"

e.g. CET3R4010S for 4.0x10 non-mounted ETIII with SA surface

Mount Fixture: Code starts with "A"

e.g. AET3R4010S for 4.0x10 pre-mounted ETIII with SA surface

F 3.2 Hex 2.1 Narrow



L	8.5	10	11.5	13	15
	ET3M3008S	ET3M3010S	ET3M3011S	ET3M3013S	ET3M3015S

For Ø3.2 fixture, connection is 0.5mm shorter

F 3.5 Hex 2.1



L	8.5	10	11.5	13	15
	ET3M3508S	ET3M3510S	ET3M3511S	ET3M3513S	ET3M3515S

F 4.0 Hex 2.5



L	7	8.5	10	11.5	13	15
	ET3R4007S	ET3R4008S	ET3R4010S	ET3R4011S	ET3R4013S	ET3R4015S

F4.5
Hex 2.5



L	7	8.5	10	11.5	13	15
	ET3R4507S	ET3R4508S	ET3R4510S	ET3R4511S	ET3R4513S	ET3R4515S

F5.0
Hex 2.5



L	6	7	8.5	10	11.5	13	15
	ET3R5006S Short Pre-Mount Only	ET3R5007S	ET3R5008S	ET3R5010S	ET3R5011S	ET3R5013S	ET3R5015S

Ultra-Wide

FØ6.0
Hex 2.5



L	6	7	8.5	10	11.5	13
	ET3R6006S Short	ET3R6007S	ET3R6008S	ET3R6010S	ET3R6011S	ET3R6013S

FØ7.0
Hex 2.5



L	6	7	8.5	10	11.5	13
	ET3R7006S Short	ET3R7007S	ET3R7008S	ET3R7010S	ET3R7011S	ET3R7013S

ETIV SA Fixture

- Bone level with 11° Morse taper internal hex connection
- Ideal thread design for optimal osseointegration in maxillary sinus and/or soft bone
- Narrow corkscrew threads that increase self-threading, path-correction and initial stability in soft bone
- Sharp apex design stably secures the fixation in D4 bone
- Recommended fixture placement torque: 40 Ncm or less
- Recommended fixture placement speed: 15 rpm or less due to larger Pitch size
- Recommended fixture size in posterior: Minimum Ø4.5mm

Ultra-wide

- Optimized for posterior extraction and immediate placement, and replacement of failed Implant case
- Efficient apex design that strengthens initial stability with immediate placement after extraction

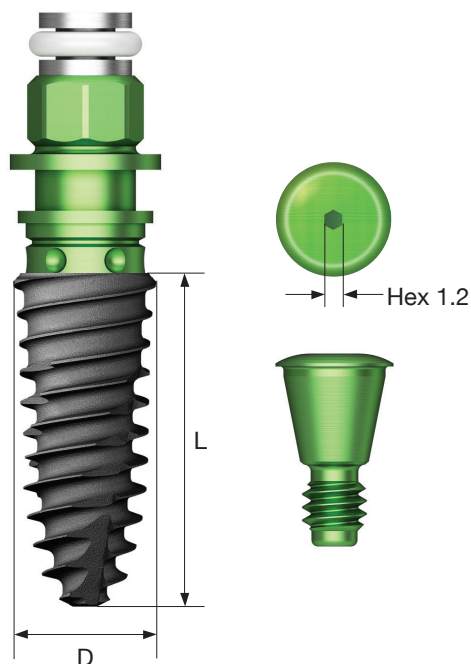
Order Code

NoMount Fixture: Code starts with "C"

e.g. CET4R4010S for 4.0x10 non-mounted ETIII with SA surface

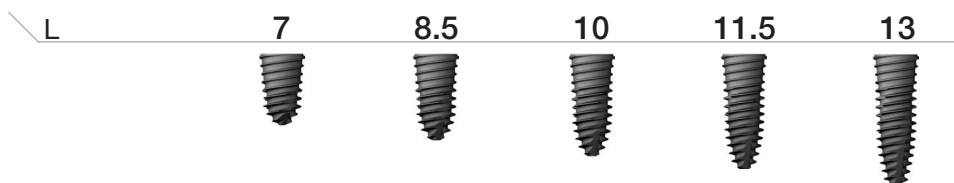
Mount Fixture: Code starts with "A"

e.g. AET4R4010S for 4.0x10 pre-mounted ETIII with SA surface



F 4.0 Pitch 0.8

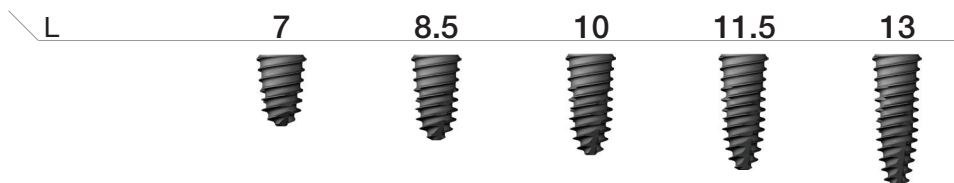
Hex 2.5



ET4R4007S ET4R4008S ET4R4010S ET4R4011S ET4R4013S

F 4.5 Pitch 1.0

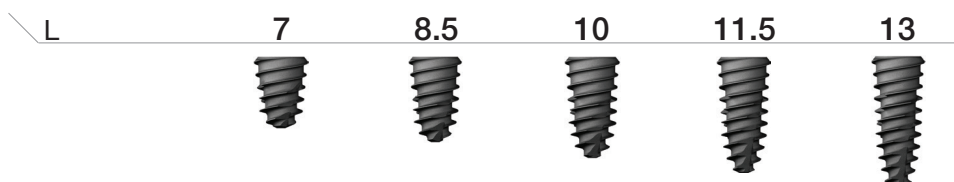
Hex 2.5



ET4R4507S ET4R4508S ET4R4510S ET4R4511S ET4R4513S

F 5.0 Pitch 1.2

Hex 2.5

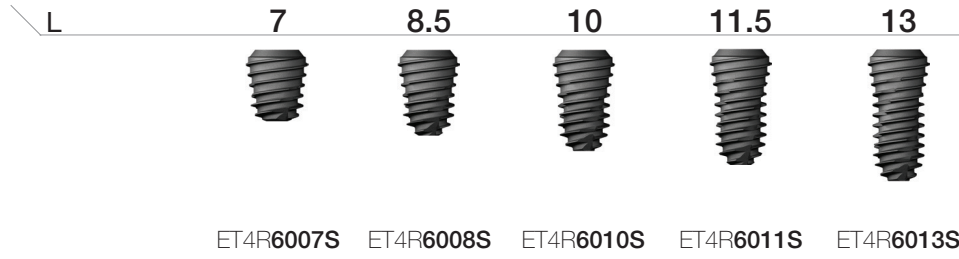


ET4R5007S ET4R5008S ET4R5010S ET4R5011S ET4R5013S

Ultra-Wide

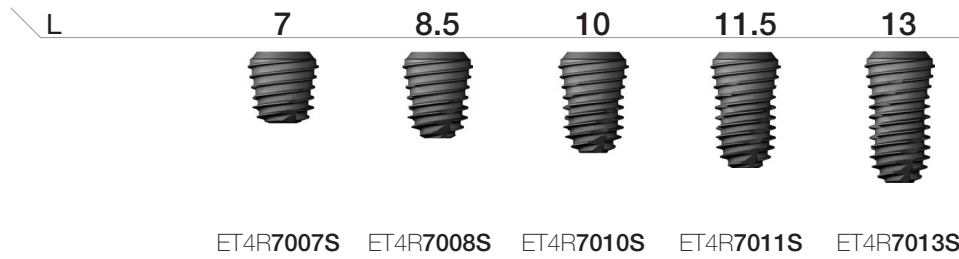
F6.0 Pitch 1.0

Hex 2.5



F7.0 Pitch 1.0

Hex 2.5

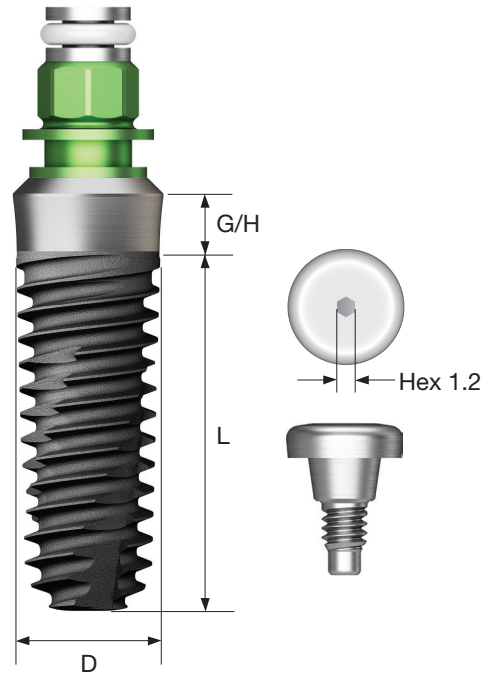


SSIII SA Fixture

- Non-submerged type implant with an internal octa and 8° tapered connection
- Optimized screw thread design with the ideal SA surface
- Tapered body design with high initial stability
- Excellent initial stability in soft bone due to the small thread on the upper part
- Corkscrew threading with excellent self-threading effect
- Excellent initial stability necessary for immediate loading, even in soft bone

Ultra-wide

- Ideal for an extracted tooth site in the posterior area, for immediate placement, or for replacing a failed implant
- Apex is specifically design for excellent initial stability in an extracted tooth site
- Recommended insertion torque : ≤40 Ncm
- Fixtures with a diameter of 4.5mm or more are recommended for the posterior area




















Order Code

NoMount Fixture: Code starts with "SS"

e.g. SS3R4011S18






Pre-Mount Fixture: Code starts with "A"

e.g. ASS3R4011S18

D Ø3.5 P Ø4.8 	G/H \ L		8.5	10	11.5	13	
							
	1.8	G/H 1.8 & 2.8	SS3R3508S18	SS3R3510S18	SS3R3511S18	SS3R3513S18	
	2.8	Pre-Mount Only	SS3R3508S28	SS3R3510S28	SS3R3511S28	SS3R3513S28	
D Ø4.0 P Ø4.8 	G/H \ L		7	8.5	10	11.5	13
							
	1.8		SS3R4007S18	SS3R4008S18	SS3R4010S18	SS3R4011S18	SS3R4013S18
	2.8	G/H 2.8	SS3R4008S28	SS3R4010S28	SS3R4011S28	SS3R4013S28	
		Pre-Mount Only					
D Ø4.5 P Ø4.8 	G/H \ L		7	8.5	10	11.5	13
							
	1.8		SS3R4507S18	SS3R4508S18	SS3R4510S18	SS3R4511S18	SS3R4513S18
	2.8	G/H 2.8	SS3R4508S28	SS3R4510S28	SS3R4511S28	SS3R4513S28	
		Pre-Mount Only					







D Ø4.5
P Ø6.0



G/H \ L	7	8.5	10	11.5	13
2.0					
	SS3W4507S20	SS3W4508S20	SS3W4510S20	SS3W4511S20	SS3W4513S20

D Ø5.0
P Ø6.0

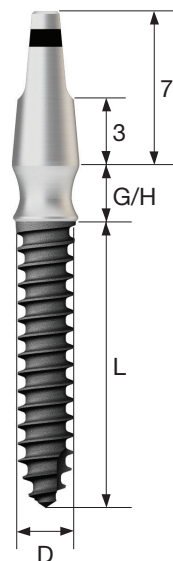


G/H \ L	6	7	8.5	10	11.5	13
2.0	 Short Pre-Mount Only					
	SS3W5006S20	SS3W5007S20	SS3W5008S20	SS3W5010S20	SS3W5011S20	SS3W5013S20

EM (MS) SA Implant Narrow Ridge

Narrow Ridge

- Implants suitable for narrow spaces such as mandibular anterior teeth
- Applied SA surface with excellent osseo-integration performance
- Optimized abutment shape and size without prosthesis removal
- Recommended insertion torque : 30Ncm or less

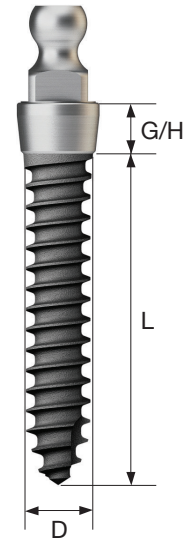


D Ø2.5		G/H \ L	8.5	10	11.5	13	15
2.5			EMN2508S25	EMN2510S25	EMN2511S25	EMN2513S25	EMN2515S25
4.0			EMN2508S40	EMN2510S40	EMN2511S40	EMN2513S40	EMN2515S40
D Ø3.0		G/H \ L	8.5	10	11.5	13	15
2.5			EMN3008S25	EMN3010S25	EMN3011S25	EMN3013S25	EMN3015S25
4.0			EMN3008S40	EMN3010S40	EMN3011S40	EMN3013S40	EMN3015S40

EM (MS) SA Implant Denture

Denture

- Implants used for edentulous patients with narrow bone widths
- Applied SA surface with excellent osseo-integration performance
- Easy and convenient to make denture using retainer and lab analog
- Recommended insertion torque : 30Ncm or less



D Ø2.0

G/H \ L	8.5	10	11.5	13	15
2.0	EMD2008S20	EMD2010S20	EMD2011S20	EMD2013S20	EMD2015S20
4.0	EMD2008S40	EMD2010S40	EMD2011S40	EMD2013S40	EMD2015S40

D Ø2.5

G/H \ L	8.5	10	11.5	13	15
2.0	EMD2508S20	EMD2510S20	EMD2511S20	EMD2513S20	EMD2515S20
4.0	EMD2508S40	EMD2510S40	EMD2511S40	EMD2513S40	EMD2515S40

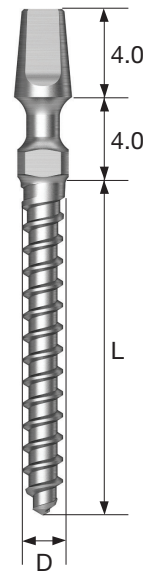
D Ø3.0

G/H \ L	8.5	10	11.5	13	15
2.0	EMD3008S20	EMD3010S20	EMD3011S20	EMD3013S20	EMD3015S20
4.0	EMD3008S40	EMD3010S40	EMD3011S40	EMD3013S40	EMD3015S40

EM (MS) Implant Provisional

Provisional

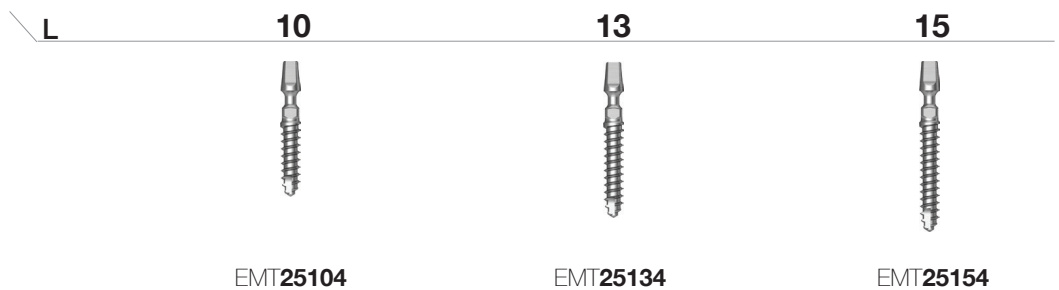
- Implants used in temporary prosthesis placement for full or partially edentulous patients
- Neck design for path compensation and strength maintenance
- Provisional cap and lab analog system to make temporary prosthesis easily
- Recommended insertion torque : 30Ncm or less



D Ø1.8



D Ø2.5



HIOSSEN[®]
I M P L A N T



ABUTMENTS & COMPONENTS

ET SYSTEM

- 024** Healing Abutment
- 025** Custom Healing Abutment
- 026** PROSTHETIC FLOW DIAGRAM 1
- 027** Rigid Abutment
- 032** Transfer Abutment
- 040** PROSTHETIC FLOW DIAGRAM 2
- 041** Angled Abutment
- 043** Freeform ST Abutment
- 045** Goldcast Abutment
- 046** NP-Cast Abutment
- 048** PROSTHETIC FLOW DIAGRAM 3
- 049** SmartFit Abutment
- 050** Link Abutment (For CEREC™)
- 051** Scan Post & Scan Body (For CEREC™)
- 052** ZioCera Abutment
- 054** ZioCera Angled Abutment
- 055** Quick Temporary Abutment
- 056** Temporary Abutment
- 058** PROSTHETIC FLOW DIAGRAM 4
- 059** Multi Abutment
- 064** Multi Angled Abutment
- 066** PROSTHETIC FLOW DIAGRAM 5
- 067** Convertible Abutment
- 074** PROSTHETIC FLOW DIAGRAM 6
- 075** Stud Abutment

SS SYSTEM

- 078** Healing Abutment
- 080** PROSTHETIC FLOW DIAGRAM 7
- 081** Solid Abutment
- 084** Excellent Solid Abutment
- 088** PROSTHETIC FLOW DIAGRAM 8
- 089** ComOcta Abutment
- 090** ComOcta Plus Abutment
- 091** ComOcta Gold Abutment
- 092** ComOcta Angled Abutment
- 096** PROSTHETIC FLOW DIAGRAM 9
- 097** Octa Abutment
- 102** PROSTHETIC FLOW DIAGRAM 10
- 103** O-Ring Abutment

EM (MS) SYSTEM

- 106** Narrow Ridge
- 107** Denture
- 108** Provisional

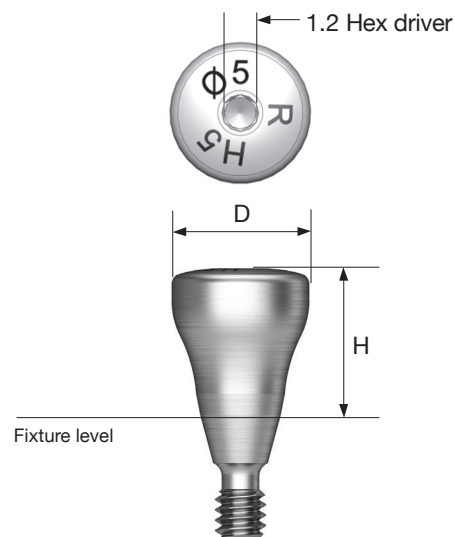
Healing Abutment





- Mini platform prosthetic parts for Ø3.5 & 3.2 fixtures colored in yellow
- Connected with a 1.2 hex hand driver







Matching table

Healing abutment	H	3.0	4.0	5.0	7.0
Abutment	G/H	1.0	2.0 or 3.0	3.0 or 4.0	5.0
Impression coping	Type	Short	Short	Long	Long

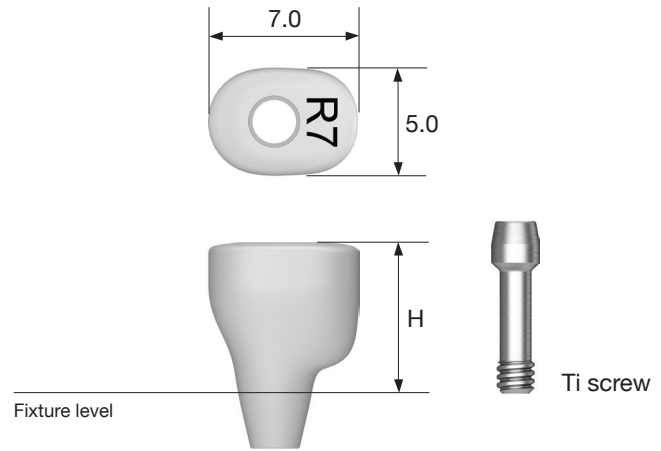


D \ H	3.0	4.0	5.0	7.0
Ø4.0				
Ø4.5	ETHLA4503M	ETHLA4504M	ETHLA4505M	ETHLA4507M







D \ H	3.0	4.0	5.0	7.0
Ø4.0				
Ø4.5	ETHLA4503R	ETHLA4504R	ETHLA4505R	ETHLA4507R
Ø5.0	ETHLA5003R	ETHLA5004R	ETHLA5005R	ETHLA5007R
Ø6.0	ETHLA6003R	ETHLA6004R	ETHLA6005R	ETHLA6007R
Ø7.0	ETHLA7003R	ETHLA7004R	ETHLA7005R	ETHLA7007R

Custom Healing Abutment

- Designed as a natural tooth
- Easy to prep or add resin
- Medical grade PEEK material use
- Titanium screw included
- Connect with a 1.2 hex hand driver
- Packing unit: Abutment + Ti screw
- P = Platform

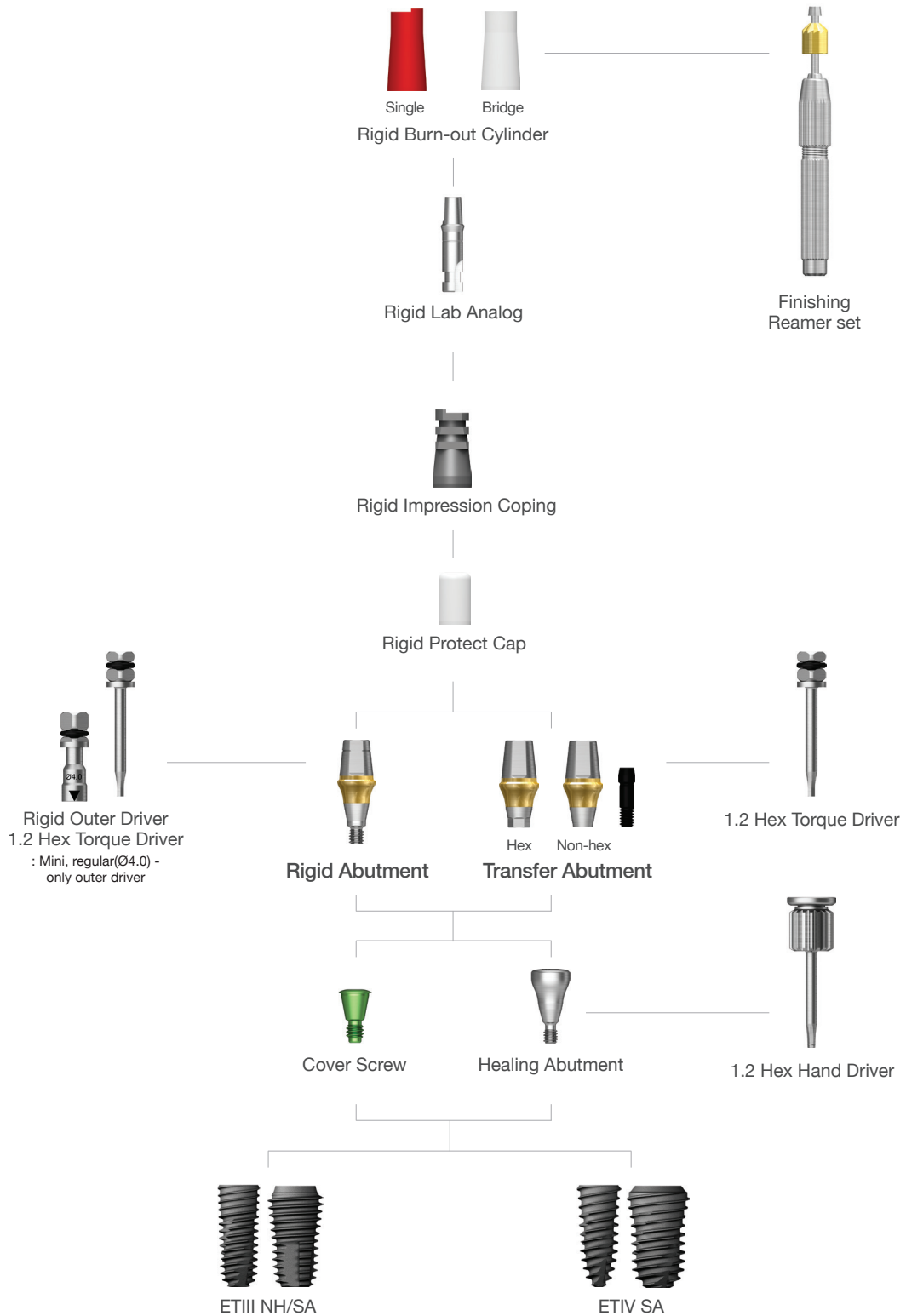


- M** Mini
- R** Regular

P \ H	5.0	7.0	9.0
M Ti screw : ETCHABSMT	 ETHLAP5M	 ETHLAP7M	 ETHLAP9M
R Ti screw : ETCHABSST	 ETHLAP5R	 ETHLAP7R	 ETHLAP9R

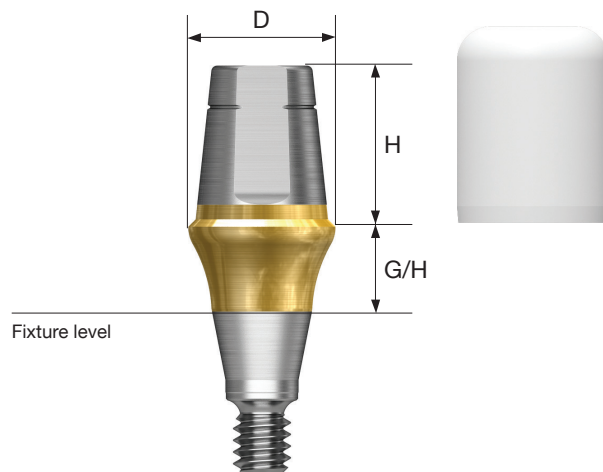
Rigid / Transfer

Abutment Level Impression






Rigid Abutment

- Cement-retained prosthesis
- Abutment level impression
- Ø4.0: torque with the outer driver (code: ORDML/ORDMS)
- Ø4.5/5.0/6.0: torque with the outer driver or 1.2 hex driver
- Ø7.0: torque with a 1.2 hex driver
- Recommended tightening torque: 30Ncm
- Packing unit: abutment + protect cap








D Ø4.0



H \ G/H	1.0	2.0	3.0	4.0	5.0
4.0	 ETRGA4014MP	 ETRGA4024MP	 ETRGA4034MP	 ETRGA4044MP	 ETRGA4054MP
5.5	ETRGA4015MP	ETRGA4025MP	ETRGA4035MP	ETRGA4045MP	ETRGA4055MP
7.0	ETRGA4017MP	ETRGA4027MP	ETRGA4037MP	ETRGA4047MP	ETRGA4057MP

D Ø4.5



H \ G/H	1.0	2.0	3.0	4.0	5.0
4.0	 ETRGA4514MP	 ETRGA4524MP	 ETRGA4534MP	 ETRGA4544MP	 ETRGA4554MP
5.5	ETRGA4515MP	ETRGA4525MP	ETRGA4535MP	ETRGA4545MP	ETRGA4555MP
7.0	ETRGA4517MP	ETRGA4527MP	ETRGA4537MP	ETRGA4547MP	ETRGA4557MP

Rigid Abutment

D Ø4.0



H \ G/H 1.0 2.0 3.0 4.0 5.0



4.0	ETRGA4014SP	ETRGA4024SP	ETRGA4034SP	ETRGA4044SP	ETRGA4054SP
5.5	ETRGA4015SP	ETRGA4025SP	ETRGA4035SP	ETRGA4045SP	ETRGA4055SP
7.0	ETRGA4017SP	ETRGA4027SP	ETRGA4037SP	ETRGA4047SP	ETRGA4057SP

D Ø4.5



H \ G/H 1.0 2.0 3.0 4.0 5.0



4.0	ETRGA4514SP	ETRGA4524SP	ETRGA4534SP	ETRGA4544SP	ETRGA4554SP
5.5	ETRGA4515SP	ETRGA4525SP	ETRGA4535SP	ETRGA4545SP	ETRGA4555SP
7.0	ETRGA4517SP	ETRGA4527SP	ETRGA4537SP	ETRGA4547SP	ETRGA4557SP

D Ø5.0



H \ G/H 1.0 2.0 3.0 4.0 5.0



4.0	ETRGA5014SP	ETRGA5024SP	ETRGA5034SP	ETRGA5044SP	ETRGA5054SP
5.5	ETRGA5015SP	ETRGA5025SP	ETRGA5035SP	ETRGA5045SP	ETRGA5055SP
7.0	ETRGA5017SP	ETRGA5027SP	ETRGA5037SP	ETRGA5047SP	ETRGA5057SP

D Ø6.0



H \ G/H 1.0 2.0 3.0 4.0 5.0



4.0	ETRGA6014SP	ETRGA6024SP	ETRGA6034SP	ETRGA6044SP	ETRGA6054SP
5.5	ETRGA6015SP	ETRGA6025SP	ETRGA6035SP	ETRGA6045SP	ETRGA6055SP
7.0	ETRGA6017SP	ETRGA6027SP	ETRGA6037SP	ETRGA6047SP	ETRGA6057SP

D Ø7.0



H \ G/H 1.0 2.0 3.0 4.0 5.0






5.5	ETRGA7015SP	ETRGA7025SP	ETRGA7035SP	ETRGA7045SP	ETRGA7055SP
------------	-------------	-------------	-------------	-------------	-------------

Rigid Abutment Components

Rigid Protect Cap

- Protects the rigid abutment until applying the final prosthesis
- Can be used as the base for a provisional crown
- Available for transfer abutment (Ø4.0 excluded)




M Mini
R Regular

D \ H	4.0	5.5	7.0
			
Ø 4.0 / Ø 4.0	ETRPC4004	ETRPC4005	ETRPC4007
Ø 4.5 / Ø 4.5	ETRPC4504	ETRPC4505	ETRPC4507
Ø 5.0	ETRPC5004S	ETRPC5005S	ETRPC5007S
Ø 6.0	ETRPC6004S	ETRPC6005S	ETRPC6007S
Ø 7.0	-	ETRPC7005S	-

Rigid Retraction Cap

- Used for accurate margin reproduction when taking a direct impression
- Can be used as the base for a provisional crown
- Available for transfer abutment (Ø4.0 excluded)




M Mini
R Regular

D \ H	4.0	5.5	7.0
			
Ø 4.0 / Ø 4.0	ETRRC440	ETRRC460	ETRRC470
Ø 4.5 / Ø 4.5	ETRRC441	ETRRC461	ETRRC471
Ø 5.0	ETRRC540	ETRRC560	ETRRC570
Ø 6.0	ETRRC640	ETRRC660	ETRRC670
Ø 7.0	-	ETRRC760	-

Rigid Impression Coping

- Impression components for rigid abutment
- Color coded by height
- Available for transfer abutment (Ø4.0 excluded)



M Mini
R Regular

D \ H	4.0	5.5	7.0
			
Ø 4.0 / Ø 4.0	ETRIC4004S	ETRIC4005S	ETRIC4007S
Ø 4.5 / Ø 4.5	ETRIC4504S	ETRIC4505S	ETRIC4507S
Ø 5.0	ETRIC5004S	ETRIC5005S	ETRIC5007S
Ø 6.0	ETRIC6004S	ETRIC6005S	ETRIC6007S
Ø 7.0	-	ETRIC7005S	-

Rigid Burn-out Cylinder

- Replacement of resin cap before wax up
- Delivery of perfect margin with proper fitting after casting




- M** Mini
- R** Regular

D \ Type	Single	Bridge
		
ø 4.0 / ø 4.0	ETRBC40S	ETRBC40B
ø 4.5 / ø 4.5	ETRBC45S	ETRBC45B
ø 5.0	ETRBC50SS	ETRBC50SB
ø 6.0	ETRBC60SS	ETRBC60SB
ø 7.0	ETRBC70SS	ETRBC70SB

Rigid Lab Analog

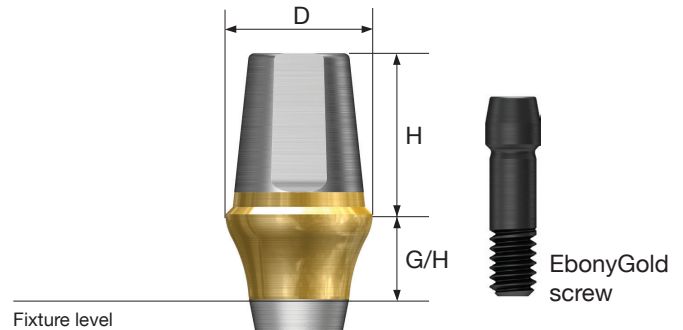
- Replicate of Rigid abutment for accurate orientation on model after impression
- Color coded by height

- M** Mini
- R** Regular

D \ H	4.0	5.5	7.0
			
ø 4.0 / ø 4.0	ETRLA4004	ETRLA4005	ETRLA4007
ø 4.5 / ø 4.5	ETRLA4504	ETRLA4505	ETRLA4507
ø 5.0	ETRLA5004S	ETRLA5005S	ETRLA5007S
ø 6.0	ETRLA6004S	ETRLA6005S	ETRLA6007S
ø 7.0	-	ETRLA7005S	-

Transfer Abutment

- Cement-retained/combination type
- Fixture level impression
- Abutment level impression is available using the rigid impression coping (Ø4.0 excluded)
- Torque using a 1.2 hex driver
- Recommended tightening torque: 20Ncm(mini), 30Ncm(regular)
- Packing unit: abutment + EbonyGold screw



D Ø4.0



: ETABSM

		H \ G/H	1.0	2.0	3.0	4.0	5.0
Hex	5.5	ETTA4015MHW	ETTA4025MHW	ETTA4035MHW	ETTA4045MHW	ETTA4055MHW	
	7.0	ETTA4017MHW	ETTA4027MHW	ETTA4037MHW	ETTA4047MHW	ETTA4057MHW	
Non-Hex	5.5	ETTA4015MNW	ETTA4025MNW	ETTA4035MNW	ETTA4045MNW	ETTA4055MNW	
	7.0	ETTA4017MNW	ETTA4027MNW	ETTA4037MNW	ETTA4047MNW	ETTA4057MNW	

D Ø4.5



: ETABSM

		H \ G/H	1.0	2.0	3.0	4.0	5.0
Hex	5.5	ETTA4515MHW	ETTA4525MHW	ETTA4535MHW	ETTA4545MHW	ETTA4555MHW	
	7.0	ETTA4517MHW	ETTA4527MHW	ETTA4537MHW	ETTA4547MHW	ETTA4557MHW	
Non-Hex	5.5	ETTA4515MNW	ETTA4525MNW	ETTA4535MNW	ETTA4545MNW	ETTA4555MNW	
	7.0	ETTA4517MNW	ETTA4527MNW	ETTA4537MNW	ETTA4547MNW	ETTA4557MNW	

D Ø4.5



: ETABSS

		H \ G/H	1.0	2.0	3.0	4.0	5.0
Hex	5.5		ETTA4515SHW	ETTA4525SHW	ETTA4535SHW	ETTA4545SHW	ETTA4555SHW
	7.0		ETTA4517SHW	ETTA4527SHW	ETTA4537SHW	ETTA4547SHW	ETTA4557SHW
	5.5		ETTA4515SNW	ETTA4525SNW	ETTA4535SNW	ETTA4545SNW	ETTA4555SNW
Non-Hex	7.0		ETTA4517SNW	ETTA4527SNW	ETTA4537SNW	ETTA4547SNW	ETTA4557SNW

D Ø5.0



: ETABSS

		H \ G/H	1.0	2.0	3.0	4.0	5.0
Hex	4.0		ETTA5014SHW	ETTA5024SHW	ETTA5034SHW	ETTA5044SHW	ETTA5054SHW
	5.5		ETTA5015SHW	ETTA5025SHW	ETTA5035SHW	ETTA5045SHW	ETTA5055SHW
	7.0		ETTA5017SHW	ETTA5027SHW	ETTA5037SHW	ETTA5047SHW	ETTA5057SHW
Non-Hex	4.0		ETTA5014SNW	ETTA5024SNW	ETTA5034SNW	ETTA5044SNW	ETTA5054SNW
	5.5		ETTA5015SNW	ETTA5025SNW	ETTA5035SNW	ETTA5045SNW	ETTA5055SNW
	7.0		ETTA5017SNW	ETTA5027SNW	ETTA5037SNW	ETTA5047SNW	ETTA5057SNW

D Ø6.0



: ETABSS

		H \ G/H	1.0	2.0	3.0	4.0	5.0
Hex	4.0		ETTA6014SHW	ETTA6024SHW	ETTA6034SHW	ETTA6044SHW	ETTA6054SHW
	5.5		ETTA6015SHW	ETTA6025SHW	ETTA6035SHW	ETTA6045SHW	ETTA6055SHW
	7.0		ETTA6017SHW	ETTA6027SHW	ETTA6037SHW	ETTA6047SHW	ETTA6057SHW
Non-Hex	4.0		ETTA6014SNW	ETTA6024SNW	ETTA6034SNW	ETTA6044SNW	ETTA6054SNW
	5.5		ETTA6015SNW	ETTA6025SNW	ETTA6035SNW	ETTA6045SNW	ETTA6055SNW
	7.0		ETTA6017SNW	ETTA6027SNW	ETTA6037SNW	ETTA6047SNW	ETTA6057SNW

D Ø7.0



: ETABSS

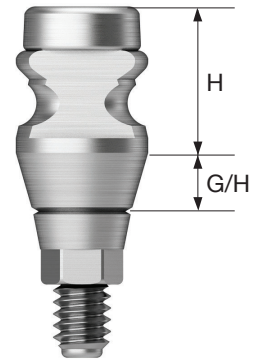
		H \ G/H	1.0	2.0	3.0	4.0	5.0
Hex	5.5		ETTA7015SHW	ETTA7025SHW	ETTA7035SHW	ETTA7045SHW	ETTA7055SHW
Non-Hex	5.5		ETTA7015SNW	ETTA7025SNW	ETTA7035SNW	ETTA7045SNW	ETTA7055SNW

Transfer Abutment Components

Bite Impression Coping

- Fixture level components for impression
- Impression and bite registration can be made at the same time
- Procedure is same as transfer impression coping
- Used with Bite impression coping driver

- M** Mini (Yellow)
- R** Regular

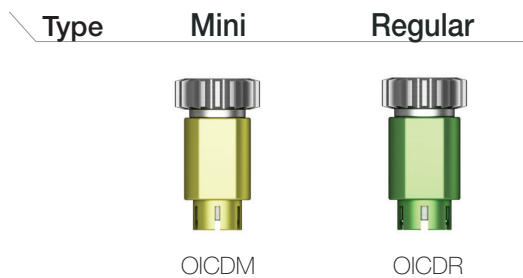


D \	H	G/H	2.0	3.0	4.0	5.0
Ø 4.0	5.0		GSBICM4420	GSBICM4430	GSBICM4440	GSBICM4450
	7.0		GSBICM4620	GSBICM4630	GSBICM4640	GSBICM4650
Ø 4.5	5.0		GSBICR4421	GSBICR4431	GSBICR4441	GSBICR4451
	7.0		GSBICR4621	GSBICR4631	GSBICR4641	GSBICR4651
Ø 4.0	5.0		GSBICR4421	GSBICR4431	GSBICR4441	GSBICR4451
	7.0		GSBICR4621	GSBICR4631	GSBICR4641	GSBICR4651
Ø 5.0	5.0		GSBICR5420	GSBICR5430	GSBICR5440	GSBICR5450
	7.0		GSBICR5620	GSBICR5630	GSBICR5640	GSBICR5650

Bite Impression Coping Driver

- Used for tightening and removing bite impression coping

- M** Mini (Yellow)
- R** Regular (Green)



Bite Index

- Connected to fixture to check the bite impression
- Connect with a 1.2 hex hand driver
- Packing unit: 2ea

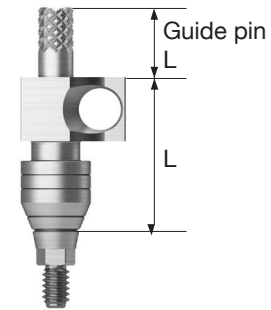
- M** Mini
- R** Regular

D \ L	4.0	6.0	8.0	10.0	12.0
Ø 4.5	GSBIM4504S	GSBIM4506S	GSBIM4508S	GSBIM4510S	GSBIM4512S
Ø 5.5	GSBIS5504S	GSBIS5506S	GSBIS5508S	GSBIS5510S	GSBIS5512S

Transfer Abutment Components

Fixture Pick-up Impression Coping

- Components for Fixture level impression with Open tray
- Delivery of accurate internal hex position in the impression material
- Connect with a 1.2 hex hand driver
- Packing unit: impression coping body + guide pin



- M** Mini (Yellow)
- R** Regular (Green)

D \ L	11	
	Hex	Non-Hex
Ø 4.0	ETFPI4011MH	ETFPI4011MN
Ø 4.5	ETFPI4511MH	ETFPI4511MN
Ø 4.0	ETFPI4011SH	ETFPI4011SN
Ø 4.5	ETFPI4511SH	ETFPI4511SN
Ø 5.0	ETFPI5011SH	ETFPI5011SN
Ø 6.0	ETFPI6011SH	ETFPI6011SN
Ø 7.0	ETFPI7011SH	ETFPI7011SN

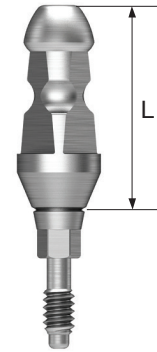
Guide Pin		
0	5.0	9.0
ETFPG00M	ETFPG05M	ETFPG05ML
ETFPG00S	ETFPG05S	ETFPG05SL

D \ L	15	
	Hex	Non-Hex
Ø 4.0	ETFPI4015MH	ETFPI4015MN
Ø 4.5	ETFPI4515MH	ETFPI4515MN
Ø 4.0	ETFPI4015SH	ETFPI4015SN
Ø 4.5	ETFPI4515SH	ETFPI4515SN
Ø 5.0	ETFPI5015SH	ETFPI5015SN
Ø 6.0	ETFPI6015SH	ETFPI6015SN
Ø 7.0	ETFPI7015SH	ETFPI7015SN

Guide Pin		
0	5.0	9.0
ETFPG00ML	ETFPG05ML	ETFPG10ML
ETFPG00SL	ETFPG05SL	ETFPG10SL

Fixture Transfer Impression Coping

- Components for Fixture level impression with closed tray
- Triangular arc ensures accurate placement
- Connect with a 1.2 hex hand driver
- Packing unit
 - Hex: impression coping body + guide pin
 - Non-hex: impression coping as one piece



M Mini (Yellow)

R Regular (Green)

D \ L	11		14	
	Hex	Non-Hex	Hex	Non-Hex
Ø 4.0	ETFTI4011MH	ETFTI4011MN	ETFTI4014MH	ETFTI4014MN
Ø 4.5	ETFTI4511MH	ETFTI4511MN	ETFTI4514MH	ETFTI4514MN
Ø 4.0	ETFTI4011SH	ETFTI4011SN	ETFTI4014SH	ETFTI4014SN
Ø 4.5	ETFTI4511SH	ETFTI4511SN	ETFTI4514SH	ETFTI4514SN
Ø 5.0	ETFTI5011SH	ETFTI5011SN	ETFTI5014SH	ETFTI5014SN
Ø 6.0	ETFTI6011SH	ETFTI6011SN	ETFTI6014SH	ETFTI6014SN
Ø 7.0	ETFTI7011SH	ETFTI7011SN	ETFTI7014SH	ETFTI7014SN

Transfer Abutment Components

Laboratory Screw

- Lab screw: abutment screw for lab work
- Waxing screw: longer screw for making screw-type prostheses and transfer jigs
- Packing unit: lab screw, waxing screw

M Mini

R Regular

Lab Screw

Waxing Screw

M



HGATSMML



HGATSMW

R



HGATSSL



HGATSSW

Fixture Lab Analog

- Lab analog for fixture level impressions
- Select appropriate size according to the fixture size

M Mini

R Regular

M

For $\varnothing 3.0$



ETFLAM3

M



ETFLAM

R

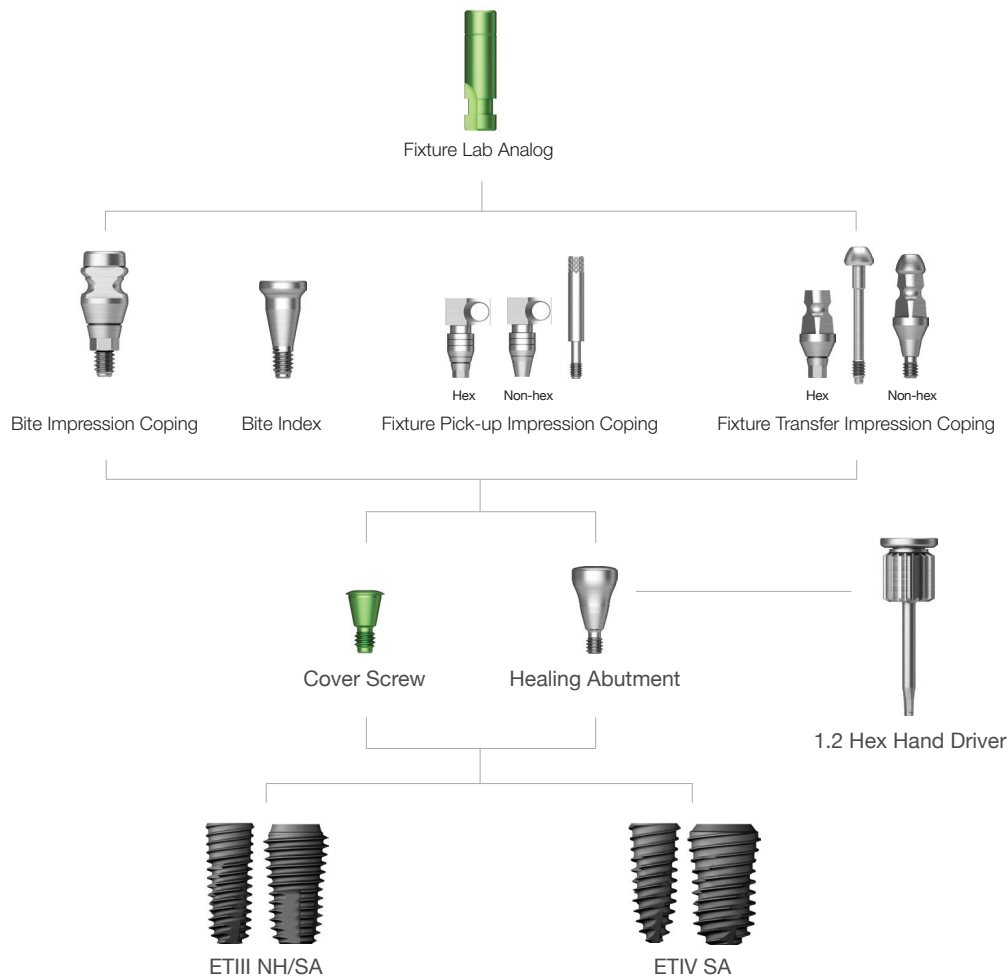


ETFLAS

HIOSSEN[®]
I M P L A N T

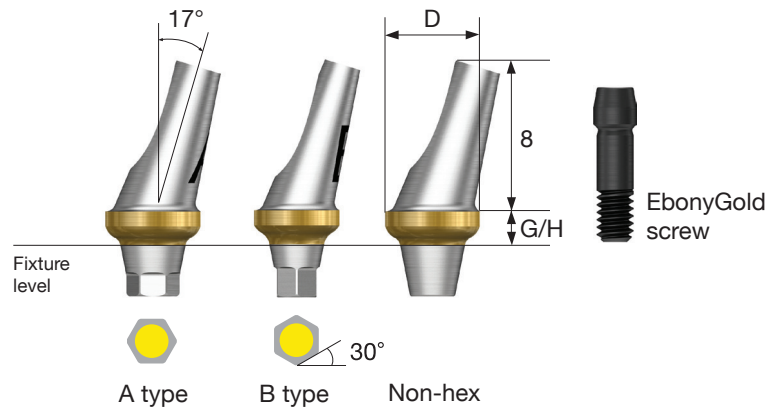
Transfer / Angled / FreeForm ST GoldCast / NP-Cast

Fixture Level Impression



Angled Abutment

- Cement-retained/combination type prosthesis
- Angle compensation up to 23° without trimming
- Fixture level impression
- Torque using a 1.2 hex driver
- Recommended tightening torque : 20Ncm(mini), 30Ncm(regular)
- Packing unit: abutment + EbonyGold screw



D Ø4.3



: ETABSM

G/H Type	2.0			4.0		
	Hex A	Hex B	Non-Hex	Hex A	Hex B	Non-Hex
	HGAGA432MAW	HGAGA432MBW	HGAGA432MNW	HGAGA434MAW	HGAGA434MBW	HGAGA434MNW

D Ø4.5



: ETABSS

G/H Type	2.0			4.0		
	Hex A	Hex B	Non-Hex	Hex A	Hex B	Non-Hex
	HGAGA452SAW	HGAGA452SBW	HGAGA452SNW	HGAGA454SAW	HGAGA454SBW	HGAGA454SNW

D Ø5.5



: ETABSS













G/H Type	2.0			4.0		
	Hex A	Hex B	Non-Hex	Hex A	Hex B	Non-Hex
	HGAGA552SAW	HGAGA552SBW	HGAGA552SNW	HGAGA554SAW	HGAGA554SBW	HGAGA554SNW

Angled Abutment Components

Angled Abutment Selector

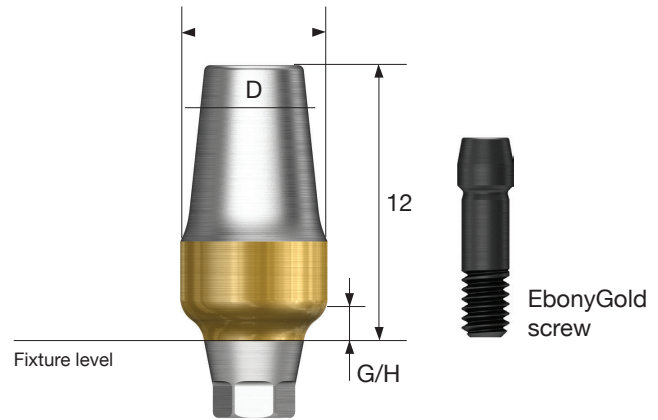
- Used for selecting Angled Abutment A or B type, diameter, and G/H when in oral cavity or in a working model



G/H Type	2.0		4.0	
	Hex A	Hex B	Hex A	Hex B
Ø4.3	 HGAAS432MA	 HGAAS432MB	 HGAAS434MA	 HGAAS434MB
Ø4.5	 HGAAS452SA	 HGAAS452SB	 HGAAS454SA	 HGAAS454SB
Ø5.5	 HGAAS552SA	 HGAAS552SB	 HGAAS554SA	 HGAAS554SB

FreeForm ST Abutment

- Cement-retained/combination type prosthesis
- Customized margins can be contoured as needed
- Fixture level impression
- Torque using a 1.2 hex driver
- Recommended tightening torque: 20Ncm(mini), 30Ncm(regular)
- Packing unit: abutment + EbonyGold screw



D Ø4.0



: ETABSM

G/H Type	1.5		3.0	
	Hex	Non-Hex	Hex	Non-Hex
	HG FSA 401 MHW	HG FSA 401 MNW	HG FSA 403 MHW	HG FSA 403 MNW

D Ø4.0



: ETABSS

G/H Type	1.5		3.0	
	Hex	Non-Hex	Hex	Non-Hex
	HG FSA 401 SHW	HG FSA 401 SNW	HG FSA 403 SHW	HG FSA 403 SNW

FreeForm ST Abutment

D Ø5.5



: ETABSS

G/H Type	1.5		3.0	
	Hex	Non-Hex	Hex	Non-Hex
	HG FSA 551 SHW	HG FSA 551 SNW	HG FSA 553 SHW	HG FSA 553 SNW

D Ø7.0

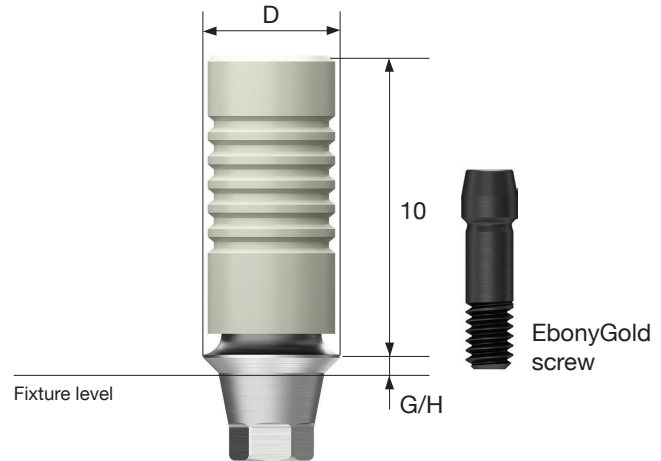


: ETABSS

G/H Type	1.5		3.0	
	Hex	Non-Hex	Hex	Non-Hex
	HG FSA 701 SHW	HG FSA 701 SNW	HG FSA 703 SHW	HG FSA 703 SNW

GoldCast Abutment

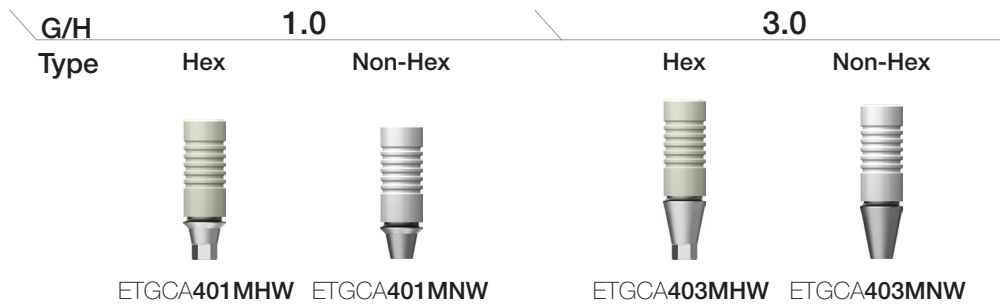
- Screw-retained type prosthesis
- Customized casting prosthesis cast with gold alloy
- Melting point: 1400-1450°C (2552~2642°F)
- Fixture level impression
- Torque using a 1.2 hex driver
- Recommended tightening torque: 20Ncm(mini), 30Ncm(regular)
- Packing unit: abutment + EbonyGold screw



D Ø4.0



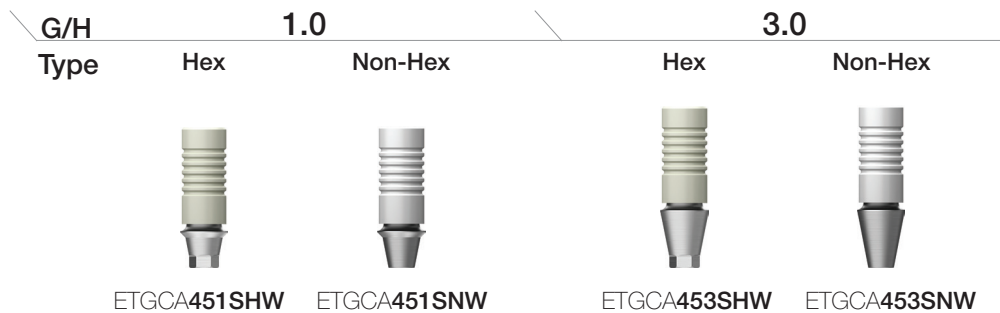
: ETABSS



D Ø4.5

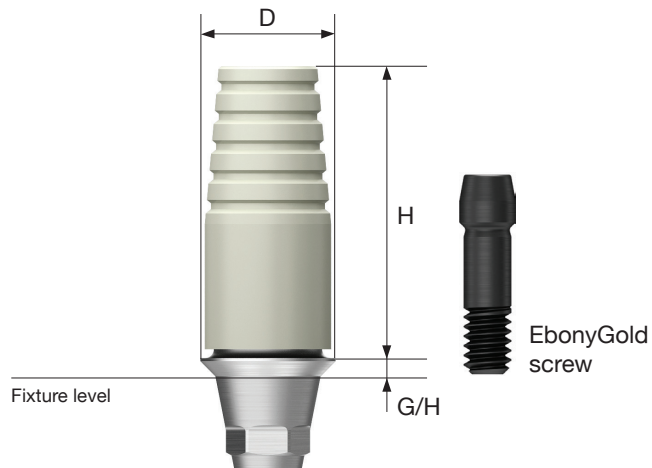


: ETABSS



NP-Cast Abutment

- Screw-retained type prosthesis
- Customized casting prosthesis with non-precious alloy
- Melting point when casting: 1400~1550°C (2552~2822°F)
- Fixture level impression
- Torque using a 1.2 hex driver
- Recommended tightening torque: 20Ncm(mini), 30Ncm(regular)
- Packing unit: abutment + EbonyGold screw



D Ø4.0



: ETABSM

G/H		1.0		3.0	
Type	Hex	Non-Hex	Hex	Non-Hex	Non-Hex
	ETNCA401MHW	ETNCA401MNW	ETNCA403MHW	ETNCA403MNW	

D Ø4.5



: ETABSM

G/H		1.0		3.0	
Type	Hex	Non-Hex	Hex	Non-Hex	Non-Hex
	ETNCA451SHW	ETNCA451SNW	ETNCA453SHW	ETNCA453SNW	

HIOSSEN[®]
I M P L A N T

SmartFit / Link / ZioCera / ZioCera Angled Temporary / Quick Temporary

Fixture Level Impression



SmartFit Abutment

- Cement-retained/combination type prosthesis
- CAD/CAM designed customized abutments
- Fixture level impression
- Abutment level impression is possible when using Scan Healing Abutment
- Lead time
 - Titanium: 5 business days
 - Titanium + gold color: 7 business days
- Torque using a 1.2 hex driver
- Recommended tightening torque: 20Ncm(mini), 30Ncm(regular)
- Packing unit: abutment + EbonyGold screw

- Cement-retained/Combination type prosthesis
- CAD/CAM designed hybrid custom abutment
- Material: Ti base + Zr coping
- Suitable for making an esthetic prosthesis such as anterior teeth
- Fixture level impression
- Production period: 7 business days
- Torque using a 1.2 hex driver
- Recommended tightening torque: 20Ncm(mini), 30Ncm(regular)
- Packing unit: abutment assembly + EbonyGold screw



Scan Body

- Scan body for titanium custom abutment production
- For model scan: long (15mm)
- For intra oral scan: short (10mm)
- Connect with a 1.2 hex hand driver
- Packing unit: scan body + Ti screw

L 10mm 15mm



Yellow color screw
: TSSBSM



Mini



Regular

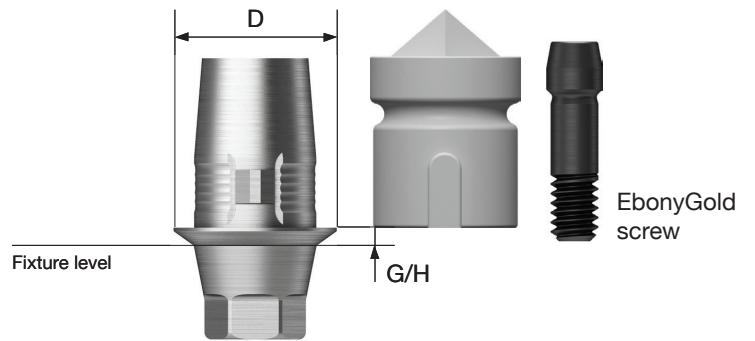


Green color screw
: TSSBSS



Link Abutment for CEREC™

- Cement-retained/screw-retained/combination type prosthesis
- CEREC™ CAD/CAM manufactured custom abutment with titanium base and milled zirconia
- Torque using a 1.2 hex driver
- Recommended tightening torque : 20Ncm(mini), 30Ncm(regular)



Type Hex Non-Hex



HGCTBMHW



HGCTBMNW



Type Hex Non-Hex



HGCTBRHW



HGCTBRNW

Scan Post & Scan Body for CEREC™

Scan Post

- Special post to scan the position of the implant where space is limited (e.g. thick soft tissue, deeply inserted fixture)
- Use with Scan Body (e.g. Connect Scan Body before scanning)
- Connect with a 1.2 hex hand driver
- Packing unit: scan post + Ti screw

M Mini

R Regular

M

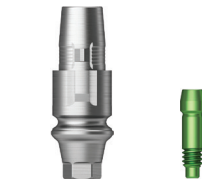
: ETABSML



HGCSPMHL

R

: ETABSSL



HGCSPRHL

Scan Body

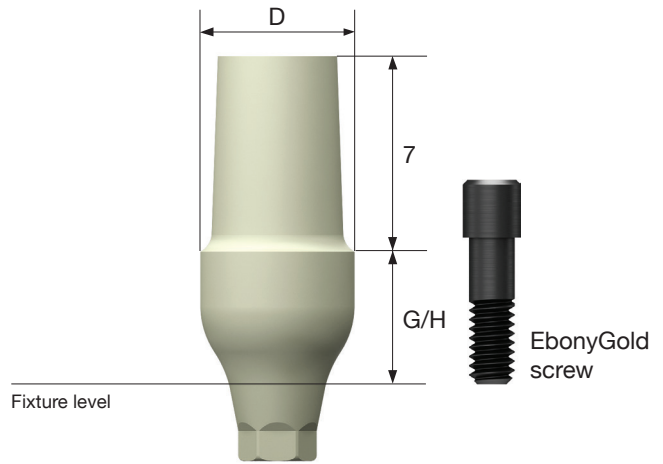
- Scan after connecting to a link abutment for CEREC™, or a scan post
- Packing unit: scan body x 10ea.



HGCSBG

ZioCera Abutment

- Cement-retained/screw-retained/combination type prosthesis
- Zirconium abutment for all ceramic prostheses ideal for anterior - esthetic zone
- Fixture level impression
- Abutment screw included
- Torque using a 1.2 hex driver
- Recommended tightening torque: 20Ncm(mini), 30Ncm(regular)
- Packing unit: abutment + EbonyGold screw



D Ø4.5



: ETASM

G/H Type	3.5		5.0	
	Hex	Non-Hex	Hex	Non-Hex
	HGZCA453MHW	HGZCA453MNW	HGZCA455MHW	HGZCA455MNW

D Ø4.5



: ETASR

G/H Type	3.5		5.0	
	Hex	Non-Hex	Hex	Non-Hex
	HGZCA453SHW	HGZCA453SNW	HGZCA455SHW	HGZCA455SNW

D Ø5.5



: ETASR

G/H Type	3.5		5.0	
	Hex	Non-Hex	Hex	Non-Hex
	HGZCA553SHW	HGZCA553SNW	HGZCA555SHW	HGZCA555SNW

D Ø6.5

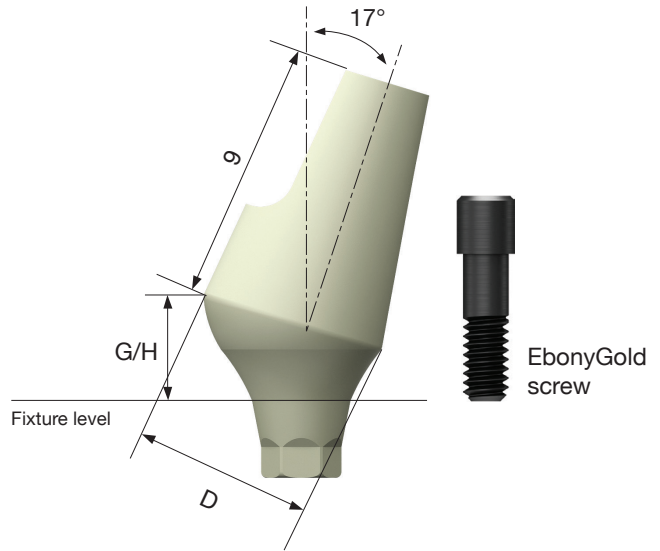


: ETASR

G/H Type	3.5		5.0	
	Hex	Non-Hex	Hex	Non-Hex
	HGZCA653SHW	HGZCA653SNW	HGZCA655SHW	HGZCA655SNW

ZioCera Angled Abutment

- Cement-retained/screw-retained/combination type prosthesis
- Zirconium abutment for all ceramic prostheses ideal for anterior - esthetic zone
- Angle compensation up to 23° without additional trimming adjustment
- Fixture level impression
- Abutment screw included
- Torque using a 1.2 hex driver
- Recommended tightening torque: 20Ncm(mini), 30Ncm(regular)
- Packing unit: abutment + EbonyGold screw

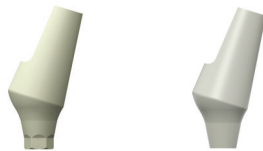


D Ø5.5



: ETASR

G/H	3.0	
Type	Hex	Non-Hex



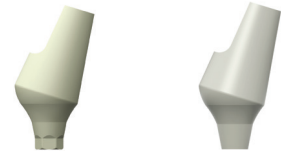
HGZAA553SHW HGZAA553SNW

D Ø6.5



: ETASR

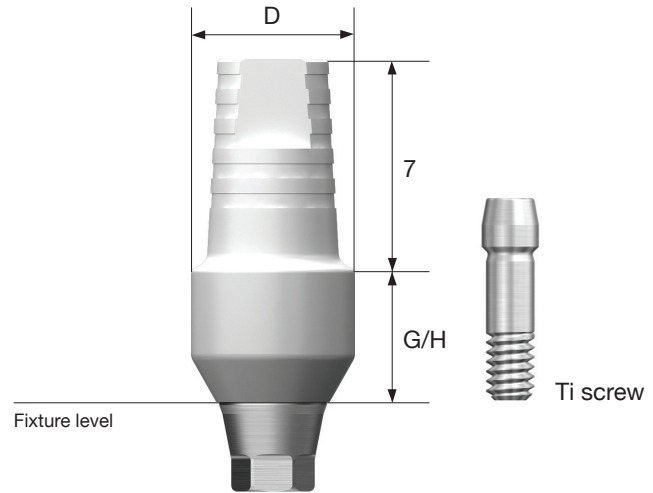
G/H	4.0	
Type	Hex	Non-Hex



HGZAA654SHW HGZAA654SNW

Quick Temporary Abutment

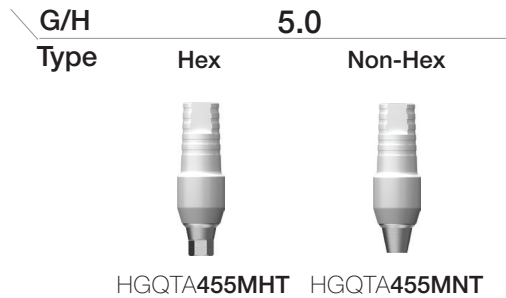
- Cement/screw-retained type prosthesis
- A provisional prostheses for immediate loading
- Easy to prep or add resin
- Torque using a 1.2 hex driver
- Recommended tightening torque: 20Ncm(mini/regular)
- Packing unit: abutment + Ti screw



D Ø4.5



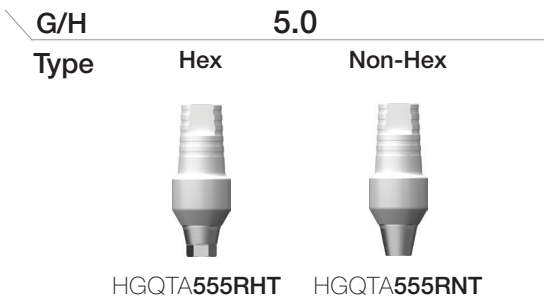
:ETABSMT



D Ø5.5

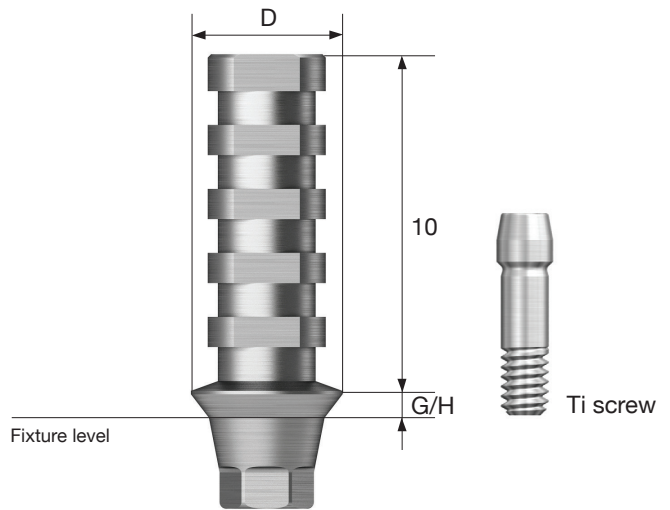


:ETABSST



Temporary Abutment

- Cement/screw-retained type for temporary prosthesis
- Used to make temporary prosthesis after prep
- Fixture level impression
- Torque using a 1.2 hex driver
- Recommended tightening torque: 20Ncm(mini/regular)
- Packing unit: abutment + Ti screw



56

D Ø4.0



:ETABSMT

G/H Type	1.0		3.0	
	Hex	Non-Hex	Hex	Non-Hex
	HGTPA401MHT	HGTPA401MNT	HGTPA403MHT	HGTPA403MNT

D Ø4.5



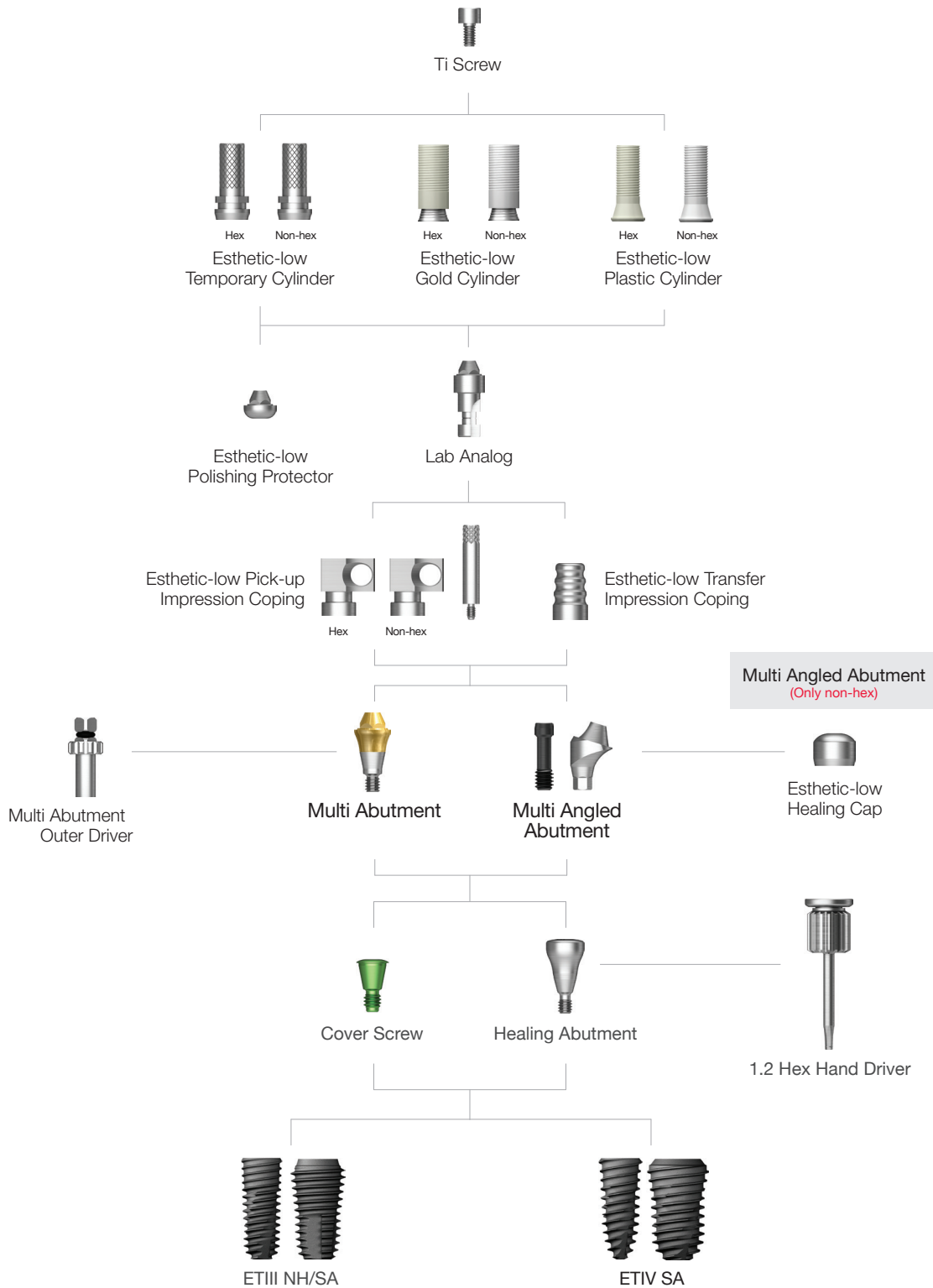
:ETABSST

G/H Type	1.0		3.0	
	Hex	Non-Hex	Hex	Non-Hex
	HGTPA451SHT	HGTPA451SNT	HGTPA453SHT	HGTPA453SNT

HIOSSEN[®]
I M P L A N T

Multi / Multi Angled

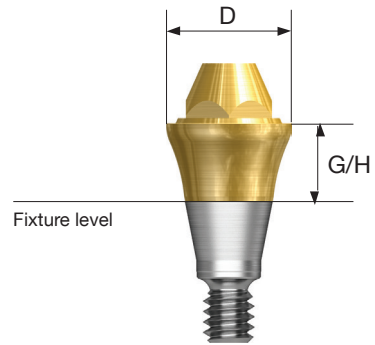
Abutment Level Impression



Multi Angled Abutment
(Only non-hex)

Multi Abutment

- Screw-retained prosthesis for multiple prosthetic options
- Same platform as the multi angled abutment
- Restorative components: US esthetic low cylinder (regular/non-hex)
- Torque using multi abutment outer driver (code: MAOD)
- Recommended tightening torque: 30Ncm(mini/regular)
- Packing unit: abutment + carrier



D Ø4.8



G/H	1.0	2.0	3.0	4.0	5.0
	ETMTA501M	ETMTA502M	ETMTA503M	ETMTA504M	ETMTA505M

D Ø4.8



G/H	1.0	2.0	3.0	4.0	5.0
	ETMTA501R	ETMTA502R	ETMTA503R	ETMTA504R	ETMTA505R

Multi Abutment Components

Multi Abutment Outer Driver

- Multi abutment torque driver



MAOD

Esthetic-low Gold Cylinder

- Screw-retained prosthesis
- Cast with gold alloys
- Cylinder melting point : 1400~1450°C
- Torque using a 1.2 hex driver
- Recommended tightening torque : 20Ncm
- Packing unit : cylinder + Ti cylinder screw

Cylinder + Ti screw order code

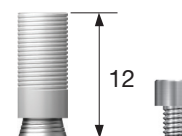
: product code + **TH** (ex : MGR200**TH**)

M Mini

R Regular

D \ Type

Non-Hex



MGR100TH

Ø 4.8 / Ø 4.8

Ti screw
: MTS200 (Ø 4.8 / Ø 4.8)

Esthetic-low Plastic Cylinder

- Cast with non-precious metal alloys
- Torque using a 1.2 hex driver
- Recommended tightening torque : 20Ncm
- Packing unit : cylinder + Ti cylinder screw

Cylinder + Ti screw order code

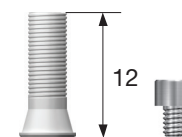
: Product code + **TH** (ex : MEPR200**TH**)

M Mini

R Regular

D \ Type

Non-Hex



MEPR100TH

Ø 4.8 / Ø 4.8

Ti screw
: MTS200 (Ø 4.8 / Ø 4.8)

Esthetic-low Healing Cap

- A protective cap
- Connected with a 1.2 hex hand driver

M Mini

R Regular

D \ H 6.0

Ø 4.8 / Ø 4.8



MHCR100

Esthetic-low Temporary Cylinder

Standard Type

- Used in fabricating a temporary prosthesis (Ti Gr-3)
- Torque using a 1.2 hex driver
- Recommended tightening torque : 20Ncm
- Packing unit : cylinder + Ti cylinder screw

Cylinder + Ti screw order code

: product code + **TH** (ex : MTR200**TH**)

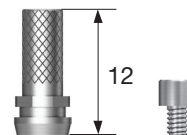
M Mini

R Regular

D \ Type Non-Hex

Ø 4.8 / Ø 4.8

Ti screw
: MTS200 (Ø 4.8 / Ø 4.8)

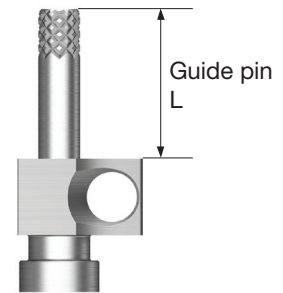


MTR100TH

Multi Abutment Components

Esthetic-low Pick-up Impression Coping

- Components for fixture level impression taking
- Pick up impression coping for esthetic-low abutment
- Connected with a 1.2 hex hand driver
- Packing unit : impression coping body + guide pin(*)



D \ L

Non-Hex

Guide Pin
15

Ø 4.8 / Ø 4.8



MSR100



GP150*

Esthetic-low Transfer Impression Coping

- Transfer impression coping for esthetic-low abutment
- Connected with a 1.2 hex hand driver



Ø 4.8 / Ø 4.8

D \ H

8.0



MTTR100

Esthetic-low Lab Analog

- Lab analog for esthetic-low abutment
- Connected with a 1.2 hex hand driver



Ø 4.8 / Ø 4.8

D



MERR300

Esthetic-low Polishing Protector

- Protects GoldCast/plastic cylinder joints during polishing process
- Connected with a 1.2 hex hand driver

M Mini

R Regular

D

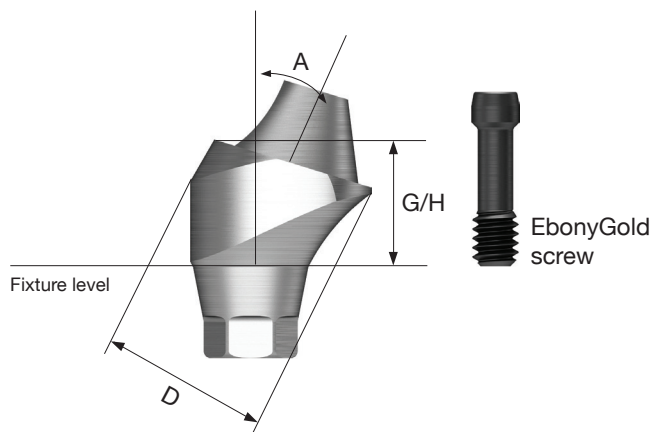
∅ 4.8 / ∅ 4.8



MPCR100

Multi Angled Abutment




- Screw-retained prosthesis for multiple prosthetic options
- Same platform as the multi abutment
- Angle compensation up to 108°
- Restorative components: US esthetic low cylinder (regular/non-hex)
- Abutment screw included
- Torque using a 1.2 hex driver
- Recommended tightening torque: 20Ncm(mini), 30Ncm(regular)
- Packing unit: abutment + EbonyGold screw






D Ø4.8



:ETMABSM



Angle \ G/H	2.5	3.0	4.0
17°	 ETMA217MHW	 ETMA317MHW	 ETMA417MHW




Angle \ G/H	3.5	4.0	5.0
30°	 ETMA330MHW	 ETMA430MHW	 ETMA530MHW

D Ø4.8



:ETMABSS

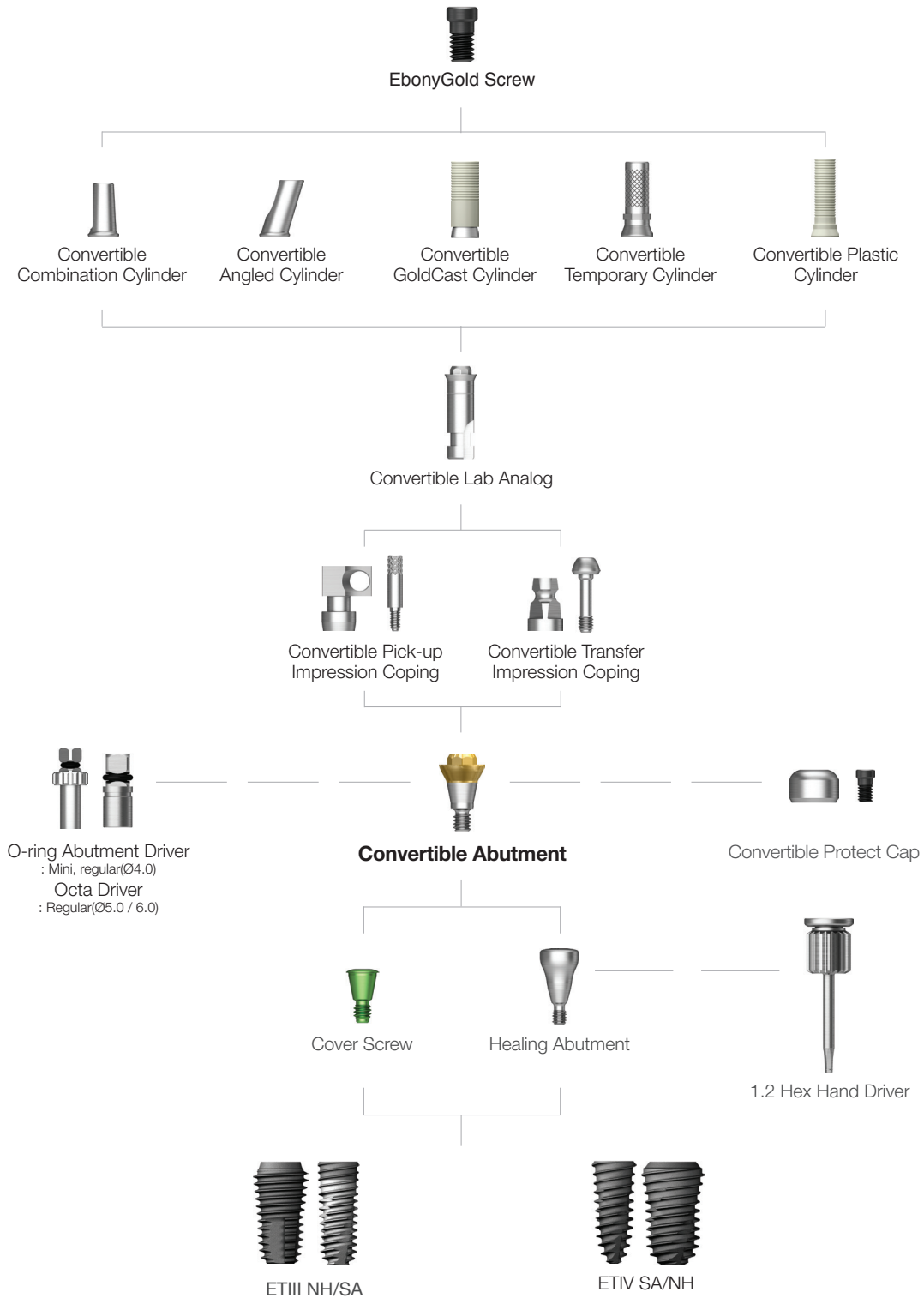
Angle \ G/H	2.5	3.0	4.0
17°	 ETMA217SHW	 ETMA317SHW	 ETMA417SHW

Angle \ G/H	3.5	4.0	5.0
30°	 ETMA330SHW	 ETMA430SHW	 ETMA530SHW

HIOSSEN[®]
I M P L A N T

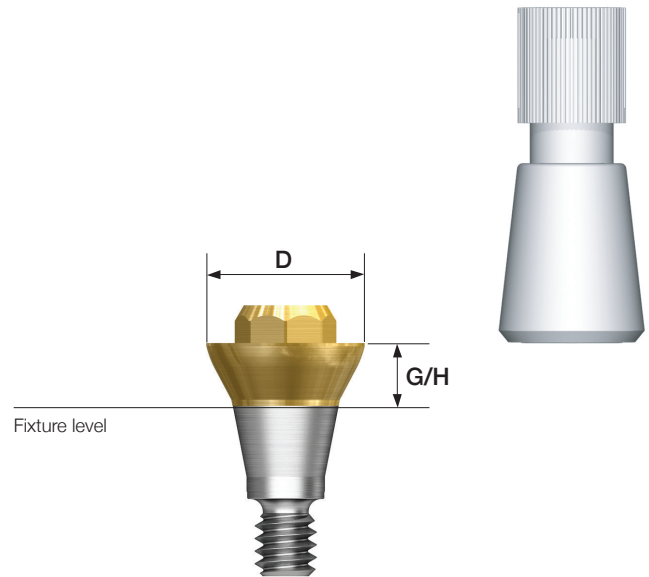
Convertible

Abutment Level Impression

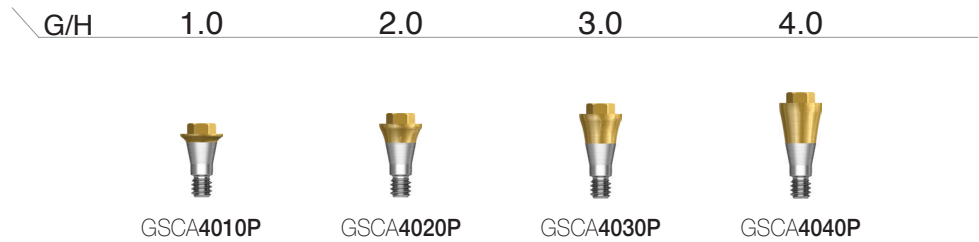


Convertible Abutment

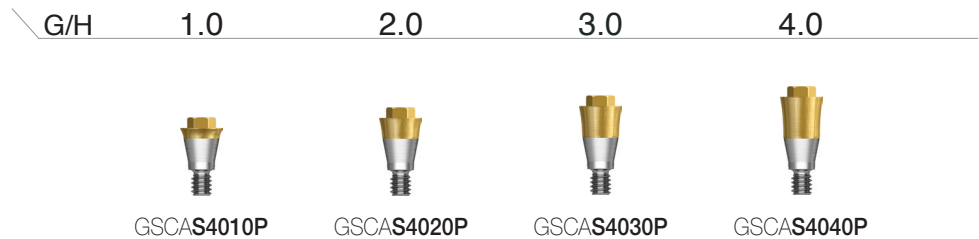
- Screw-retained prosthesis in multiple scenarios
- Angle compensation up to 60°
- Torque using convertible abutment outer driver
 - Ø4.0 : torque using o-ring abutment driver (code : AORD)
 - Ø5.0/6.0 : torque using octa abutment driver (code : ODSL/ODSS)
- Recommended tightening torque : 30Ncm(mini/regular)
- Packing unit : abutment + carrier



D Ø4.0



D Ø4.0



Convertible Abutment

D Ø5.0



G/H	1.0	2.0	3.0	4.0
				
	GSCA5010P	GSCA5020P	GSCA5030P	GSCA5040P

D Ø6.0



G/H	1.0	2.0	3.0	4.0
				
	GSCA6010P	GSCA6020P	GSCA6030P	GSCA6040P

Convertible Abutment Components

Convertible Combination Cylinder

- Combination-retained prostheses possible
- Torque using a 1.2 hex driver
- Recommended tightening torque : 20Ncm
- Packing unit : cylinder + EbonyGold cylinder screw



D \ H	7.0			
	Type	Hex	Non-Hex	Octa
		GSCC4070WH	GSCC4070NWH	GSCC5070WH
		-	-	GSCC6070WH
		Ø 4.0 / Ø 4.0 Ø 5.0		
		EbonyGold screw : GSFSM (Ø 4.0 / Ø 4.0) : GSFSR (Ø 5.0 / Ø 6.0)		

Convertible GoldCast Cylinder

- Screw-retained prosthesis
- Customized prosthesis cast with gold alloy
- Cylinder melting point: 1400~1450°C
- Torque using a 1.2 hex driver
- Recommended tightening torque : 20Ncm
- Packing unit : cylinder + EbonyGold cylinder screw







D \ H	12			
	Type	Hex	Non-Hex	Octa
		GSGC400WH	GSGC400NWH	-
		-	-	GSGC500WH
		-	-	GSGC600WH
		Ø 4.0 / Ø 4.0 Ø 5.0 Ø 6.0		
		EbonyGold screw : GSFSM (Ø 4.0 / Ø 4.0) : GSFSR (Ø 5.0 / Ø 6.0)		

Convertible Abutment Components

Convertible Temporary Cylinder

- Provisional prosthesis (Ti Gr-3)
- Torque using a 1.2 hex driver
- Recommended tightening torque : 20Ncm
- Packing unit : cylinder + Ti cylinder screw







D \ H	12		
	Hex	Non-Hex	Octa
Type			 
Ø 4.0 / Ø 4.0	GSCTC400WH	GSCTC400NWH	-
Ø 5.0	-	-	GSCTC500WH
Ø 6.0	-	-	GSCTC600WH

Ti screw
: GSFSMT (Ø 4.0 / Ø 4.0)
: GSFSRT (Ø 5.0 / Ø 6.0)

Convertible Plastic Cylinder

- Screw-retained prosthesis
- Customized prosthesis cast with non-precious alloys
- Torque using a 1.2 hex driver
- Recommended tightening torque : 20Ncm
- Packing unit : cylinder + EbonyGold cylinder screw



D \ H	12		
	Hex	Non-Hex	Octa
Type			 
Ø 4.0 / Ø 4.0	GSCPL400WH	GSCPL400NWH	-
Ø 5.0	-	-	GSCPL500WH
Ø 6.0	-	-	GSCPL600WH

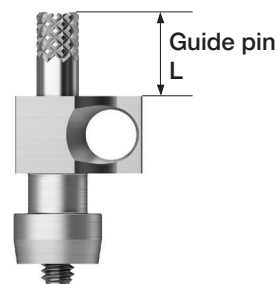
EbonyGold screw
: GSFSM (Ø 4.0 / Ø 4.0)
: GSFSR (Ø 5.0 / Ø 6.0)

Convertible Pick-up Impression Coping

- Components for fixture level impression
- A pick-up impression coping
- Connected with a 1.2 hex hand driver
- Packing unit : impression coping body + guide pin(*)

M Mini

R Regular



D \ L _____



Ø 4.0 / Ø 4.0
 Ø 5.0
 Ø 6.0

GSPIC400 (Hex / Yellow)
 GSPIC500 (Octa / Silver)
 GSPIC600 (Octa / Blue)

Convertible Transfer Impression Coping

- Transfer impression coping
- Connected with a 1.2 hex hand driver
- Packing unit : impression coping body + guide pin

R Regular

D \ _____



Ø 4.0 / Ø 4.0
 Ø 6.0

GSTIC400 (Hex / Yellow)
 GSTIC600 (Octa / Blue)

Convertible Abutment Components

Convertible Protect Cap

- Protective cap
- Connected with a 1.2 hex hand driver
- Packing unit : protect cap + EbonyGold screw



Ø 4.0 / Ø 4.0	GSCHC400WH (Hex)	-	-
Ø 5.0	-	GSCHC500WH (Non-octa)	-
Ø 6.0	-	-	GSCHC600WH (Non-octa)

EbonyGold screw
: GSFSM (Ø 4.0 / Ø 4.0)
: GSFSR (Ø 5.0 / Ø 6.0)



Convertible Lab Analog

- Protective cap
- Connected with a 1.2 hex hand driver
- Packing unit : protect cap + EbonyGold screw



Ø 4.0 / Ø 4.0	GSCLA400 (Hex)	-	-
Ø 5.0	-	GSCLA500 (Octa)	-
Ø 6.0	-	-	GSCLA600 (Octa)



Convertible Polishing Protector

- Protects GoldCast/plastic cylinder joints during polishing process
- Connected with a 1.2 hex hand driver



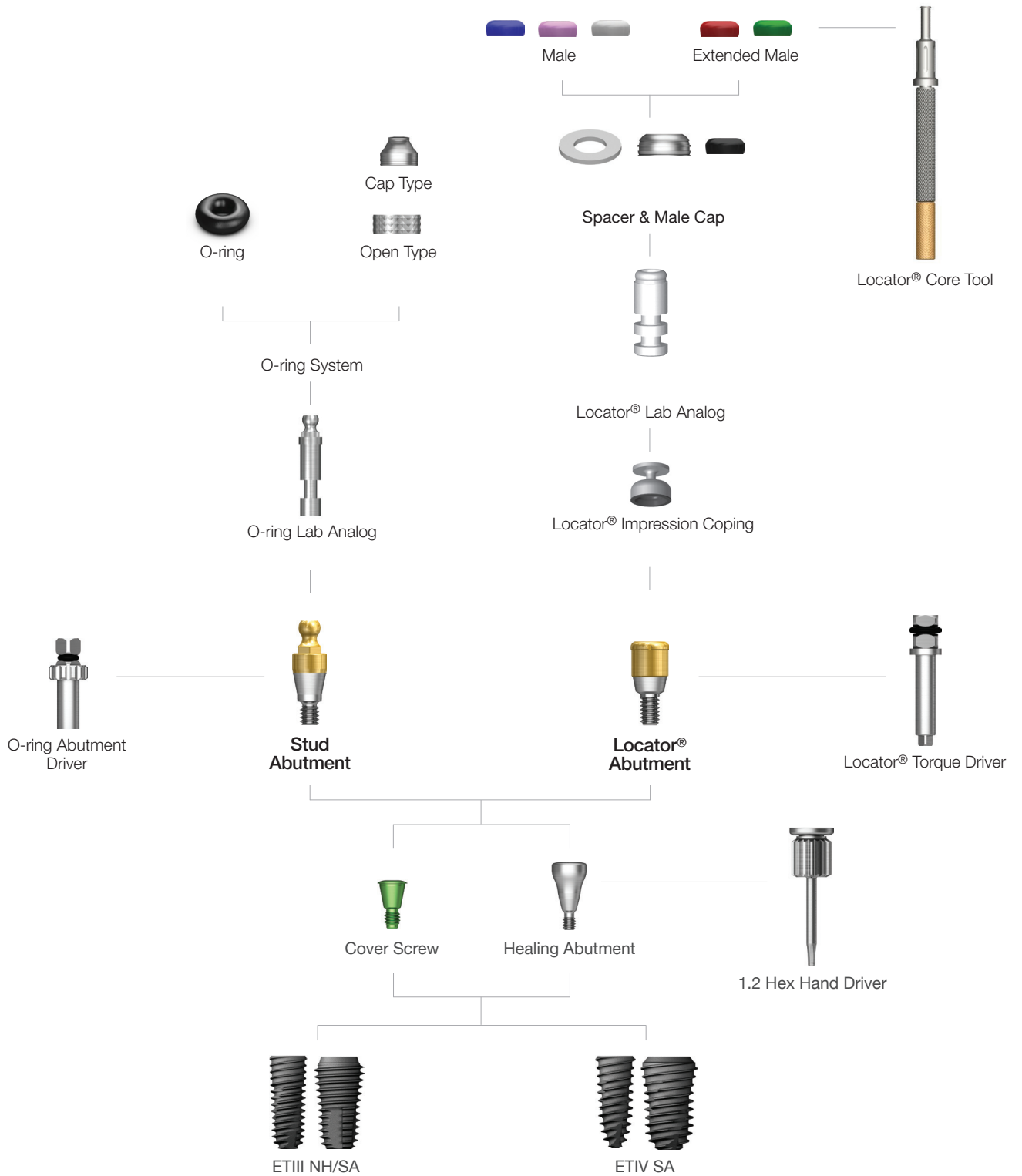
Ø 4.0 / Ø 4.0	GSCPC400 (Hex)	-
Ø 5.0	-	-
Ø 6.0	-	GSCPC600 (Octa)



HIOSSEN[®]
I M P L A N T

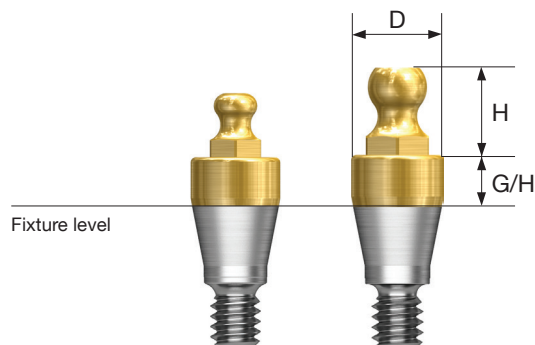
Stud / Locator®

Overdenture



Stud Abutment

- Retains overdenture with O-ring system
- Angle compensation up to 20°
- Torque using O-ring driver (code: AORD)
- Recommended tightening torque: 30Ncm (mini/regular)
- Ball head diameter
 - Small size: Ø1.7 (H 2.5mm)
 - Normal size: Ø2.25 (H 3.4mm)



D Ø3.5

M

	G/H	1.0	2.0	3.0	4.0	5.0	6.0
Normal Size							
		HGSAO351M	HGSAO352M	HGSAO353M	HGSAO354M	HGSAO355M	HGSAO356M

D Ø3.5

R

	G/H	1.0	2.0	3.0	4.0	5.0	6.0
Normal Size							
		HGSAO351S	HGSAO352S	HGSAO353S	HGSAO354S	HGSAO355S	HGSAO356S

Stud Abutment Components

O-ring Retainer Cap Set

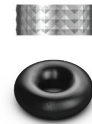
- O-ring housing
- Place appropriate O-ring in the metal housing before connecting to the abutment
- Packing unit: retainer cap + O-ring



OARCS

O-ring Retainer Set

- Used when vertical dimension is shorter than the retainer cap
- Packing unit: retainer cap + O-ring



OARS

O-ring Set

- O-ring set
- Packing unit: O-ring x 5ea



OAON01S

O-ring Lab Analog

- A lab analog for Stud abutment
- Packing unit: O-ring Lab Analog x 5ea



OAL

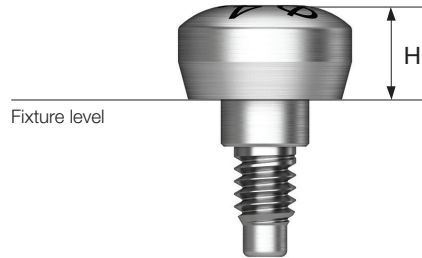
HIOSSEN[®]
I M P L A N T

Healing Abutment

- Select appropriate mount according to the fixture platform
- Connected with a 1.2 hex hand driver
- P = Platform

R Regular

W Wide



P \ H	2.0	3.0	4.0	5.0
Ø4.8	 SSH482	 SSH483	 SSH484	 SSH485

P \ H	2.0	3.0	4.0
Ø6.0	-	 SSH603	 SSH604

Mount & Screw

Cover Screw

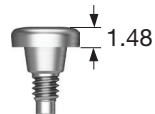
- Select appropriate mount according to the fixture platform
- Connected with a 1.2 hex hand driver
- P = Platform

R Regular

W Wide

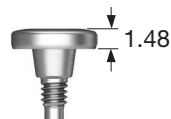
P

R



SSCS480

W



SSCS600

Closing Screw

- Used when the soft tissue of the suture part is insufficient
- Connected with a 1.2 hex hand driver
- P = Platform

R Regular

W Wide

P

R



SSCS480N

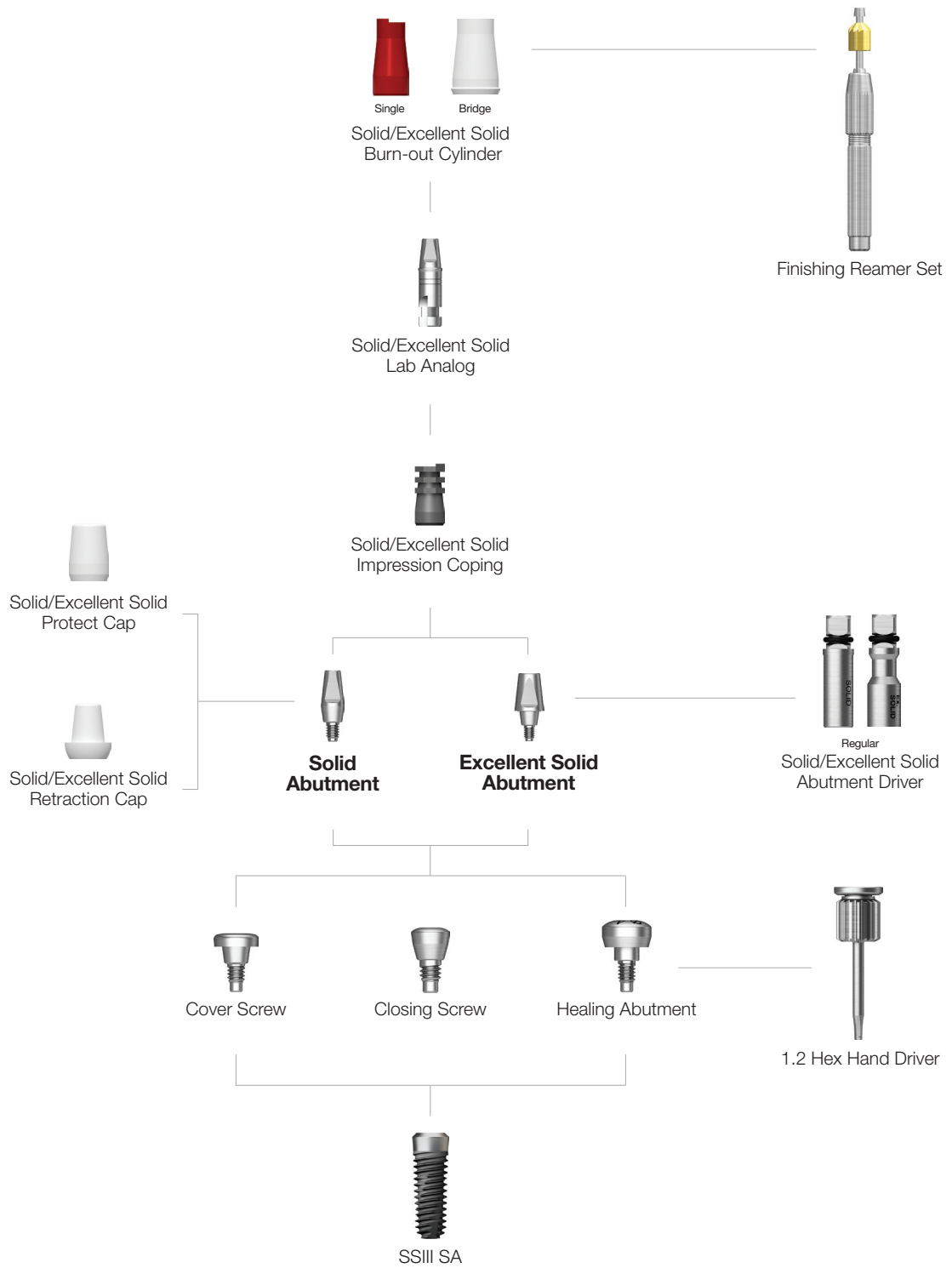
W



SSCS600N

Solid / Excellent Solid

Abutment Level Impression

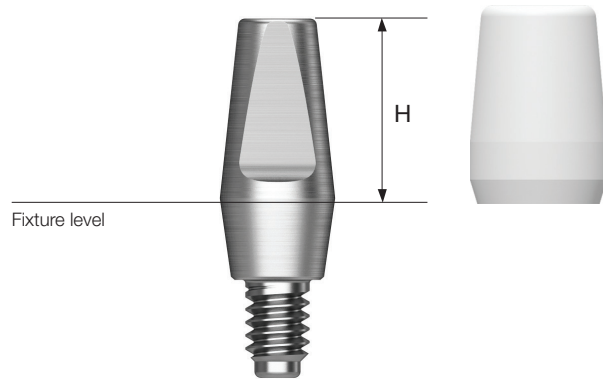


Solid Abutment

- Cement-retained prosthesis
- Abutment level impression
- Ø4.8 : connect using a solid abutment driver
(code : SDSL/SDSS)
- Ø6.0 : connect using a 1.2 hex driver or solid abutment driver
- Recommended tightening torque : 30Ncm
- Packing unit : abutment + protect cap

Abutment + protect cap order code

: product code + **P** (ex : SSS485**P**)



P Ø4.8



P Ø6.0






Solid Abutment Components

Solid Protect Cap

- Protects the solid abutment and minimizes patient irritation
- Can be used as the base for a provisional crown




R Regular
W Wide

P \ H	4.0	5.5	7.0
Ø 4.8	 SSC484	 SSC485	 SSC487
Ø 6.0	SSC604	SSC605	

Solid Impression Coping

- Components for solid abutment impression
- Possibility of precise prosthesis using lab analog
- Color coded by abutment height




R Regular
W Wide

P \ H	4.0	5.5	7.0
Ø 4.8	 SSIC484	 SSIC485	 SSIC487
Ø 6.0	SSIC604	SSIC605	

Solid Lab Analog

- Components that replace resin caps before wax up using solid abutments
- Used in the same color as solid impression coping

R Regular
W Wide

P \ H	4.0	5.5	7.0
Ø 4.8	 SSSA484	 SSSA485	 SSSA487
Ø 6.0	SSSA604	SSSA605	

Solid Burn-out Cylinder

- Solid abutment components that reproduce them on the model after impression taking
- Sophisticated prosthesis can be produced inside
- After casting, remove the lower part of the margin holding part

R Regular
W Wide

P \ H	Single	Bridge
Ø 4.8	 SSSP480S	 SSSP480B
Ø 6.0	SSSP600S	SSSP600B

Solid Abutment Components

Solid Impression Cap

- An impression cap used when the solid abutment is trimmed
- Used with a solid shoulder analog and analog pin

R Regular

W Wide

P

Ø 4.8

Ø 6.0



SSIP480

SSIP600

Solid Shoulder Analog

- Impression product used when removing solid abutment
- Reproducing the platform part of the fixture in the work model
- Used with solid impression cap and shoulder analog pin

R Regular

W Wide

P

Ø 4.8

Ø 6.0



SSSLA480

SSSLA600

Solid Shoulder Analog Pin

- An impression coping component used when the solid abutment is trimmed
- Reinforces the narrow part of the abutment
- Used with a solid shoulder analog and impression cap

R Regular

W Wide

P

Ø 4.8

Ø 6.0



SSSAP480

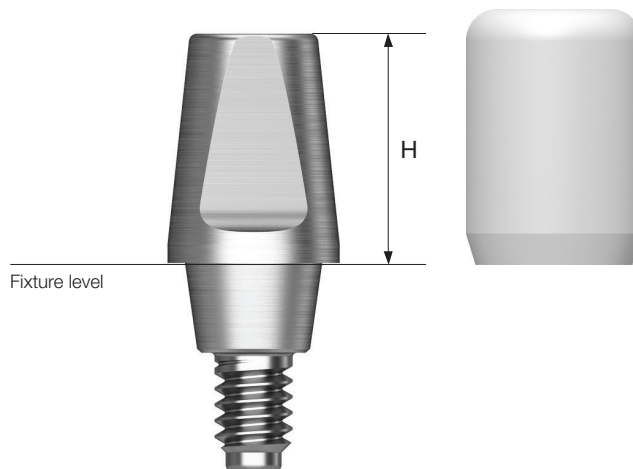
SSSAP600

Excellent Solid Abutment

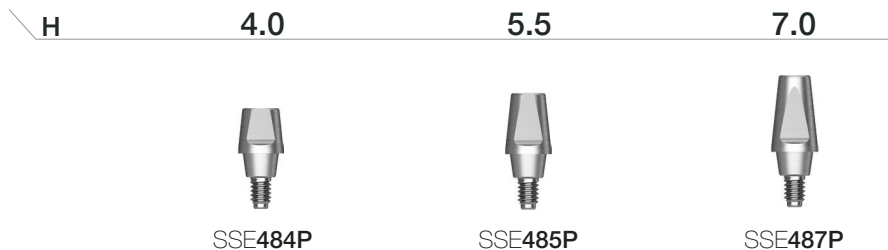
- Cement-retained prosthesis
- Ideal for molar cases due to its larger volume (compared to the solid abutment), trim as needed
- Abutment level impression
- $\varnothing 4.8$: connect using a 1.2 hex driver or an excellent solid abutment driver (code : ESDSS/ESDSL)
- $\varnothing 6.0$: connect using a 1.2 hex driver or an excellent solid abutment driver (code : ESD60S)
- Recommended tightening torque: 30Ncm
- Packing unit : abutment + protect cap

Abutment + protect cap order code

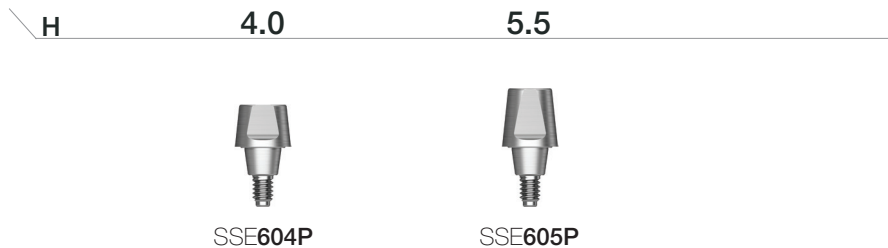
: product code + **P** (ex : SSE485**P**)



P $\varnothing 4.8$



P $\varnothing 6.0$








Excellent Solid Abutment Components

Excellent Solid Protect Cap

- Protects the solid abutment and minimizes patient irritation
- Can be used as the base for a provisional crown

R Regular

W Wide

P \ H	4.0	5.5	7.0
			
	SSEC484	SSEC485	SSEC487
			
	SSEC604	SSEC605	

Ø 4.8






Ø 6.0

Excellent Solid Impression Coping

- Impression components for Excellent solid abutment
- Possibility of precise prosthesis using lab analog
- Color coded by abutment height

R Regular

W Wide

P \ H	4.0	5.5	7.0
			
	SSEIC484	SSEIC485	SSEIC487
			
	SSEIC604	SSEIC605	

Ø 4.8






Ø 6.0

Excellent Solid Lab Analog

- Components that replace resin caps before wax up using excellent solid abutments
- Connect to the appropriate color coded with solid impression coping

R Regular

W Wide

P \ H	4.0	5.5	7.0
			
	SSEA484	SSEA485	SSEA487
			
	SSEA604	SSEA605	

Ø 4.8

Ø 6.0

Excellent Solid Burn-out Cylinder

- Excellent solid abutment components that reproduce this on the model after impression taking
- Sophisticated prosthesis can be produced inside
- After casting, remove the lower part of the margin holding part

R Regular

W Wide

P \ H	Single	Bridge
		
	SSEP480S	SSEP480B
		
	SSEP600S	SSEP600B

Ø 4.8

Ø 6.0

Excellent Solid Abutment Components

Excellent Solid Impression Cap

- An impression cap used when the solid abutment is trimmed
- Used with an excellent solid shoulder analog and an analog pin

R Regular

W Wide

P

Ø 4.8
Ø 6.0



SSEIP480
SSEIP600

Excellent Solid Shoulder Analog

- Impression product used when removing excellent solid abutment
- Reproducing the platform part of the fixture in the work model
- Used with excellent solid impression cap and shoulder analog pin

R Regular

W Wide

P

Ø 4.8
Ø 6.0



SSSLA480
SSSLA600

Solid Shoulder Analog Pin

- An impression coping component used when the solid abutment is trimmed
- Reinforces the narrow part of the abutment
- Used with a solid shoulder analog and impression cap

R Regular

W Wide

P

Ø 4.8
Ø 6.0

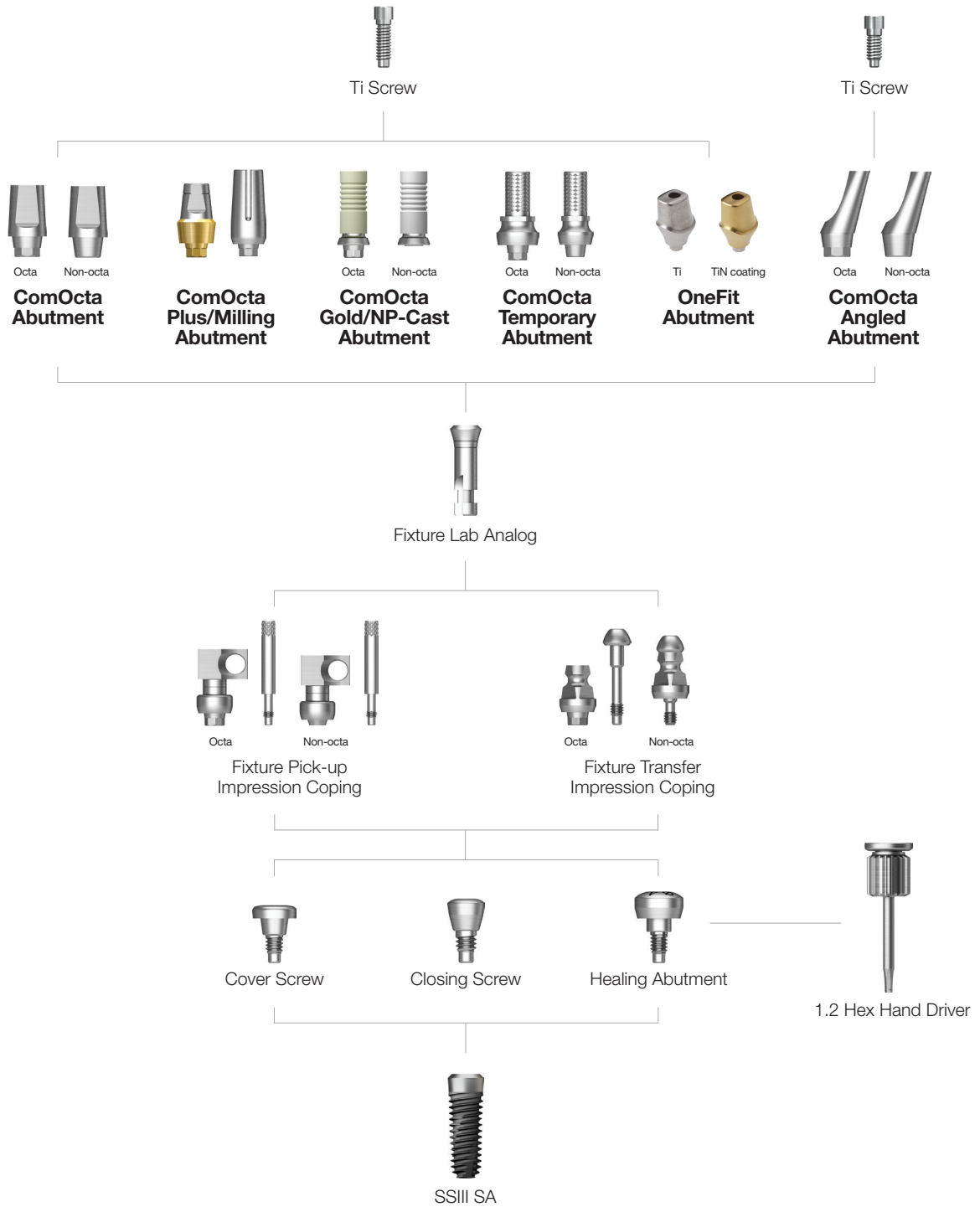


SSSAP480
SSSAP600

HIOSSEN[®]
I M P L A N T

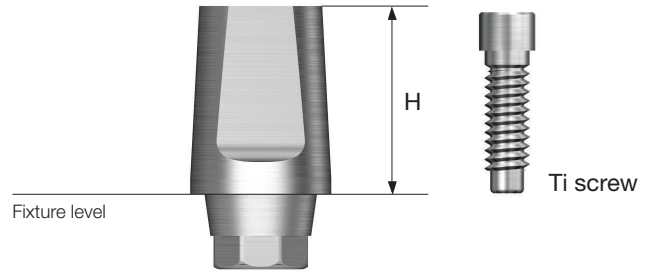
ComOcta / OneFit

Fixture Level Impression



ComOcta Abutment

- Cement/combination-retained prosthesis
- Fixture level impression
- Able to take abutment level impression using a retraction cap
- Torque using a 1.2 hex driver
- Recommended tightening torque : 30Ncm
- Packing unit : abutment + Ti screw



Abutment + Ti screw order code
: product code + **TH** (ex : SSCA485**TH**)

P Ø4.8



Ti screw
: ASR200

H Type	4.0	5.5 Octa	7.0	7.0 Non-Octa
	SSCA484TH	SSCA485TH	SSCA487TH	SSCA487NTH

P Ø6.0



Ti screw
: ASR200

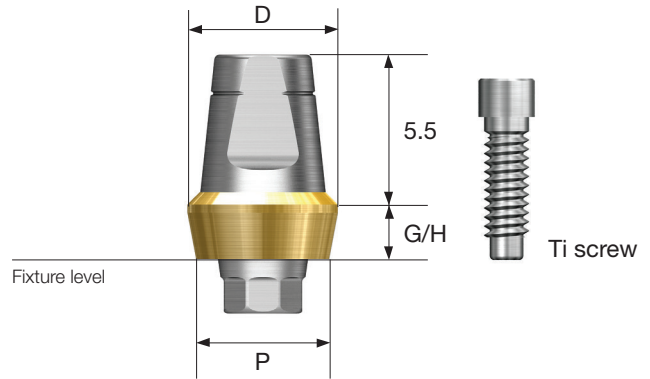
H Type	4.0	5.5 Octa	5.5 Non-Octa
	SSCA604TH	SSCA605TH	SSCA605NTH

ComOcta Plus Abutment

- Cement / combination abutment for prosthesis manufacturing
- Used when the gingiva is thick or the fixture is deeply implanted
- Abutment - fixture interlock is 45° platform contact
- Fixture level impression
- Torque using a 1.2 hex driver
- Recommended torque of tightening screw : 30Ncm
- Packing unit : abutment + Ti screw

Abutment + Ti screw order code

: product code + **TH** (ex : SSCAP4826**CTH**)



P Ø4.8



Ti screw : ASR200

G/H	2.0	4.0
D	Ø5.5	Ø5.5
Octa	SSCAP4826 CTH	SSCAP4846 CTH

P Ø6.0



Ti screw : ASR200

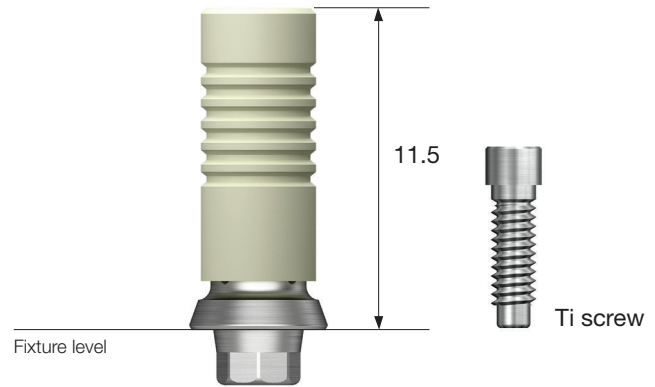
G/H	2.0	4.0
D	Ø6.5	Ø6.5
Octa	SSCAP6026 CTH	SSCAP6046 CTH

ComOcta Gold Abutment

- Cement/combination/screw-retained prosthesis
- Customized prosthesis cast with gold alloy
- Abutment fastens to the platform at a 45° angle
- Abutment melting point : 1400~1450° C
- Fixture level impression
- Torque using a 1.2 hex driver
- Recommended tightening torque : 30Ncm
- Packing unit : abutment + Ti screw

Abutment + Ti screw order code

: product code + **TH** (ex : COG480**STH**)



P Ø4.8

Type **Octa** **Non-Octa**



Ti screw
: ASR200



COG480STH



COG480BTH

P Ø6.0

Type **Octa** **Non-Octa**



Ti screw
: ASR200



COG600STH



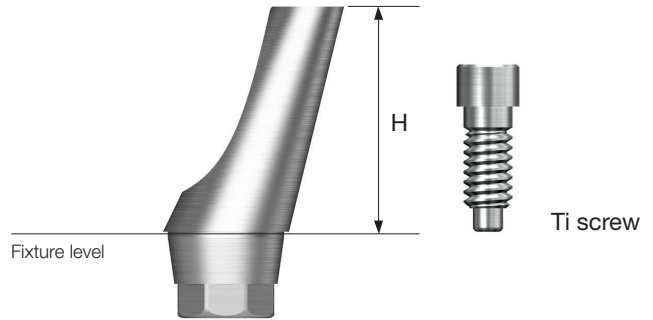
COG600BTH

ComOcta Angled Abutment

- Cement/combination-retained prosthesis
- Angle compensation between 15°/20°
- Use dedicated abutment screw
- Fixture level impression
- Torque using a 1.2 hex driver
- Recommended tightening torque: 30Ncm
- Packing unit : abutment + Ti screw(only angled)

Abutment + Ti screw order code

: product code + **TH** (ex : SSA4815**TH**)



P Ø4.8



Ti screw : ASS200

Angle	15°	20°
Type	Octa	
	SSA4815TH	SSA4820TH

P Ø6.0



Ti screw : ASS200

Angle	15°	20°
Type	Octa	
	SSA6015TH	SSA6020TH

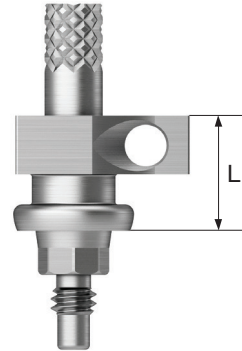
ComOcta Abutment Components



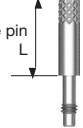


Fixture Pick-up Impression Coping

- Components for fixture level impression taking
- For open tray impressions
- Unique design that is fixed position in the impression material
- Connect with a 1.2 hex hand driver
- Packing unit : impression coping body + guide pin(*)

R Regular (Green)

W Wide (Blue)



P	L	10		Guide Pin		
		Octa	Non-Octa	10	15	17
	Type					
		SSICA480	SSICA480N	CSR100*(L5)	CSR150*(L10)	CSR170
		SSICA600				
		Ø 4.8				
		Ø 6.0				

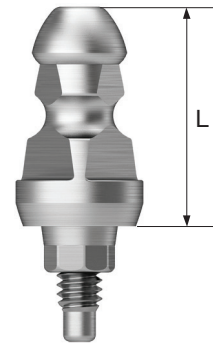
ComOcta Abutment Components

Fixture Transfer Impression Coping

- Components for fixture level impression taking
- For closed tray impressions
- Triangular arc enabling precise placement
- Connect with a 1.2 hex hand driver
- Packing unit
 - Octa : impression coping body + guide pin
 - Non-octa : impression coping

R Regular (Green)

W Wide (Blue)



P \ L	9.5		12.5	
	Type			
	Octa			
	Ø 4.8	Ø 6.0	SSCTIS480	SSCTIL480
			SSCTIS600	SSCTIL600

Fixture Lab Analog

- A lab analog for fixture level impression
- Select an appropriate fixture platform; Ø 4.8/6.0

R Regular (Green)

W Wide (Blue)



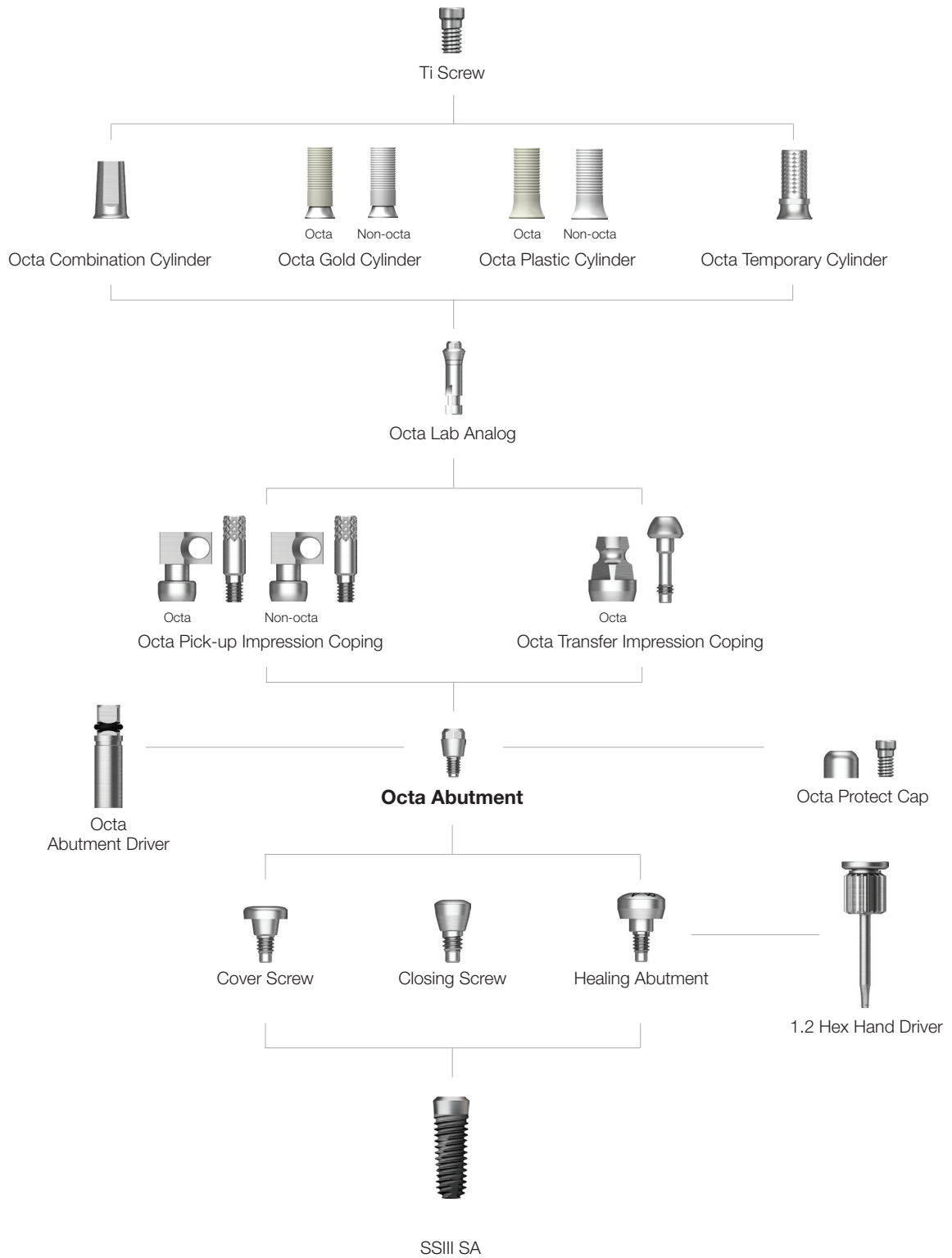
Ø 4.8
Ø 6.0

SSFA480
SSFA600

HIOSSEN[®]
I M P L A N T

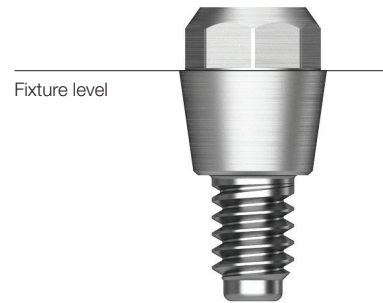
Octa

Abutment Level Impression



Octa Abutment

- Screw-retained prosthesis for multiple prosthetic options
- Angle compensation of up to 60°
- Use a dedicated outer driver (code : ODSL/ODSS)
- Recommended tightening torque : 30Ncm



P Ø4.8



SSOA480

P Ø6.0



SSOA600

Octa Abutment Components

Octa Protect Cap

- Protective cap
- Connect with a 1.2 hex hand driver
- Packing unit : protect cap + Ti screw

Protect cap + Ti screw order code
: product code + **TH** (ex : SSHC480TH)

R Regular

W Wide

P



Ø 4.8

Ø 6.0

Ti screw
: SSFS (Ø 4.8 / Ø 6.0)

SSHC480TH

SSHC600TH

Octa Gold Cylinder

- Screw-retained prosthesis
- Customized prosthesis cast with gold alloy
- Cylinder melting point : 1400~1450°C
- Torque using a 1.2 hex driver
- Recommended tightening torque : 20Ncm
- Packing unit : cylinder + Ti cylinder screw

Cylinder + Ti screw order code
: product code + **TH** (ex : SSGCO480TH)

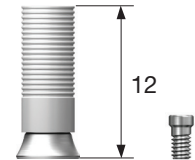
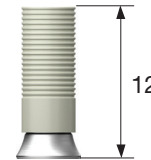
R Regular

W Wide

P \ Type

Octa

Non-Octa



Ø 4.8

Ø 6.0

Ti screw
: SSFS (Ø 4.8 / Ø 6.0)

SSGCO480TH

SSGCO600TH

SSGCN480TH

SSGCN600TH

Octa Temporary Cylinder

- Provisional prosthesis (Ti Gr-3)
- Torque using a 1.2 hex driver
- Recommended tightening torque : 20Ncm
- Packing unit : cylinder + Ti cylinder screw

Cylinder + Ti screw order code
: product code + **TH** (ex : SSTCO480TH)

R Regular

W Wide

P \ G/H

0



Ø 4.8

Ø 6.0

Ti screw
: SSFS (Ø 4.8 / Ø 6.0)

SSTCO480TH

SSTCO600TH

Octa Plastic Cylinder

- Screw-retained prosthesis
- Customized prosthesis cast with non-precious alloys
- Torque using a 1.2 hex driver
- Recommended tightening torque : 20Ncm
- Packing unit : cylinder + Ti cylinder screw

Cylinder + Ti screw order code

: product code + **TH** (ex : **SSPSO480TH**)

R Regular

W Wide

P \ Type

Octa



Ø 4.8

Ø 6.0

Ti screw
: SSFS (Ø 4.8 / Ø 6.0)

SSPSO480TH

SSPSO600TH

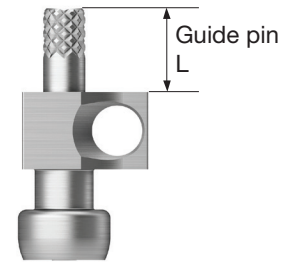
Octa Abutment Components

Octa Pick-up Impression Coping

- A pick up impression coping for octa abutment
- Connect with a 1.2 hex hand driver
- Packing unit : impression coping body + guide pin(*)

R Regular (Green)

W Wide (Blue)



P \ L

Octa

Guide Pin

0

5.0



SSICO480

SSICO600

Ø 4.8

Ø 6.0



SSGS100



SSGS150*

Octa Lab Analog

- A lab analog
- Connect with a 1.2 hex hand driver

R Regular (Green)

W Wide (Blue)

P



SSLA480

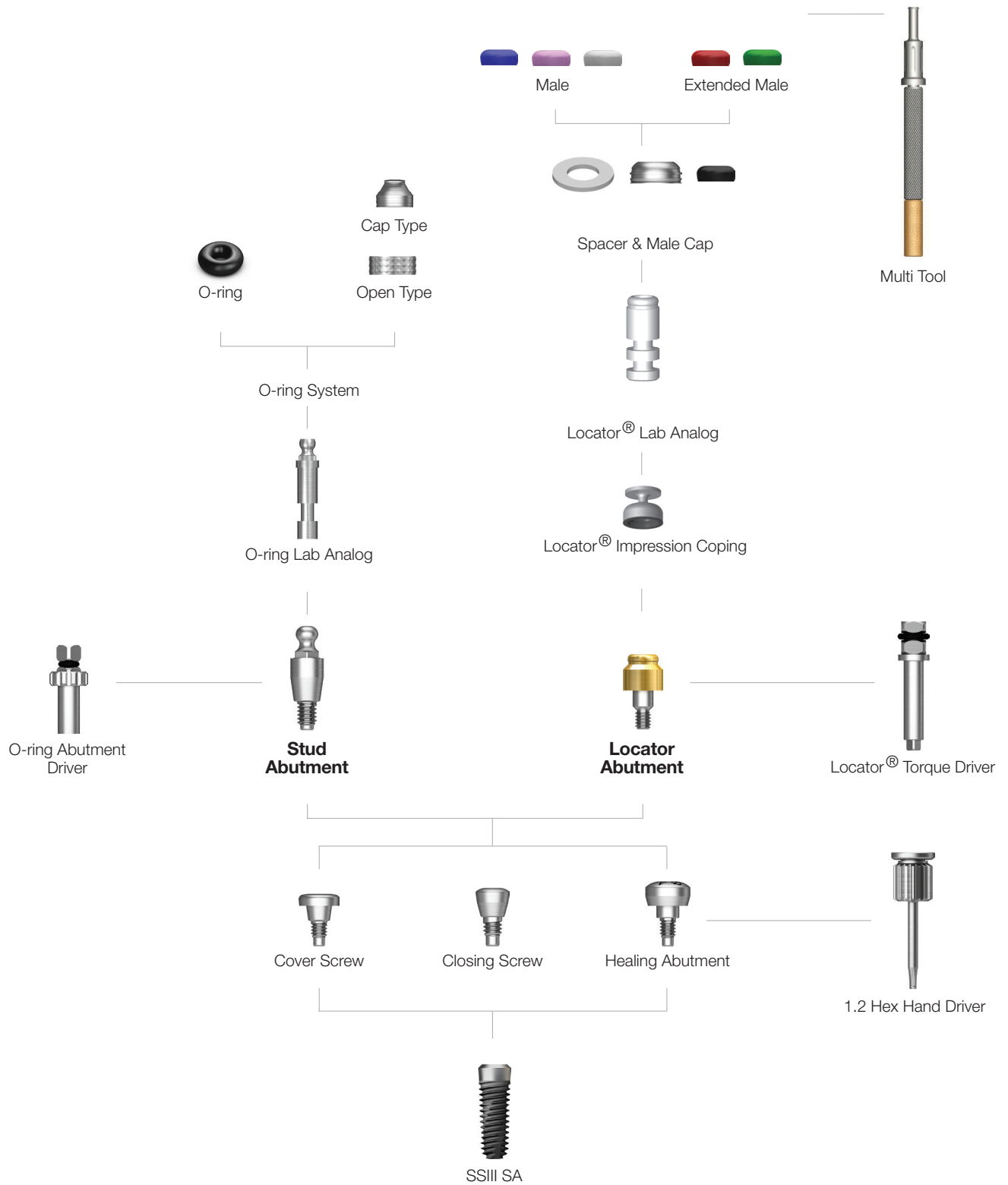
SSLA600

Ø 4.8

Ø 6.0

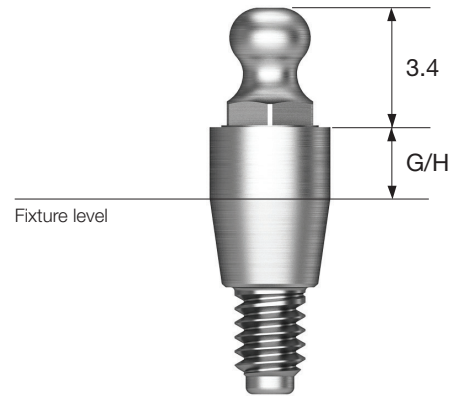
HIOSSEN[®]
I M P L A N T

O-ring / Locator® Overdenture



O-ring Abutment

- Retains overdenture with o-ring system
- Angle compensation of up to 20°
- Torque using an outer driver (code : AORD)
- Recommended tightening torque : 30Ncm



P Ø4.8

R



O-ring Abutment Components

O-ring Retainer Cap Set

- O-ring housing
- Place an appropriate o-ring in the metal housing before connecting to the abutment
- Packing unit : retainer cap + O-ring



OARCS

O-ring Retainer Set

- Used when vertical dimension is shorter than the retainer cap
- Packing unit : retainer cap + O-ring



OARS

O-ring Set

- O-ring set
- Packing unit : O-ring x 5ea



OAO100S

O-ring Set

- O-ring set
 - Laboratory: Used for production of overdentures
 - Low: Low retention force (approximately 4N)
 - High: High retention force (approximately 6N)
- Packing unit : O-ring x 5ea

Laboratory



OAO100S

Low



OAO400S

High



OAO600S

O-ring Lab Analog

- A lab analog for O-ring abutment



OAL

HIOSSEN[®]
I M P L A N T

EM (MS) SA Implant Narrow Ridge Components

Impression Coping (Narrow Ridge)

- Used for precise impression



MSPIC

Temporary Cap

- Used for temporary prosthesis production



MSPTC

Lab Analog

- Insert into impression body for MS Narrow Ridge prosthesis fabrication



MSPLA

EM (MS) SA Implant Denture Components

O-ring Retainer Cap Set

- Used when manufacturing overdenture prosthetics of stud type
- Packing unit : Retainer cap + O-ring



RCS01

O-ring Set

- Packing unit : 5ea



OAON01S

O-ring Lab Analog (Denture)

- Replicate of oral O-ring abutment on working model



MSDLA

EM (MS) Implant Provisional Components

Provisional Cap

- Used for temporary prosthesis production (titanium)



MSTPC

Lab Analog

- Implementation of the MS implant provisional abutment part of the mouth on the working model



MSTLA

HIOSSEN[®]
I M P L A N T



DENTURE SOLUTIONS

DIGITAL DENTURE SOLUTION

112 Magic Line

LOCATOR[®]

114 Legacy Abutment

118 R-Tx Abutment (Removable)

122 F-Tx Abutment (Fixed)

MAGIC LINE Digital Denture Solution

Magic Denture's 3D

- Magic Denture's 3D printable Denture Base and Teeth are made of several acrylates similar to PMMA; which has the same properties as conventional acrylic, with the convenience of curing through UV light instead of temperature. Strength and performance remain the same.



MAGIC DENTURE Tray

- 4 Sizes available

Small	Medium	Large	X-Large
AATYSN	AATYMN	AATYLN	AATYXL



● Small ● Medium ● Large ● X-Large

Single Arch Attachment Set

Small/Medium	Large/X-Large
AASIMN	AASILN



Lip Ruler (*Reusable)

- Using the lip ruler, measure the upper lip length from the incisive papilla to upper lip line

AALRNN



Jaw Gauge (*Reusable)

- Measures the vertical dimension of denture
(Measure distance from nose to jaw)



AAJGNN

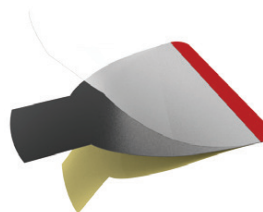


EZ-Tracer

- Capture oral/jaw movement by recording center pin movement on EZ-Tracer
- Packing unit: 10ea



AAEZNN

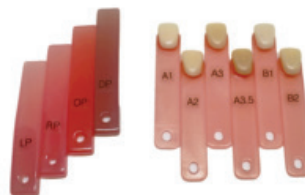


Shade Guide

- For gum and teeth



MDSG

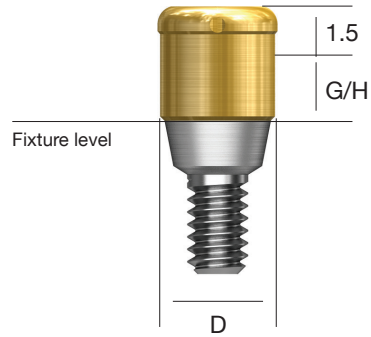


MAGIC DENTURE Starter Kit

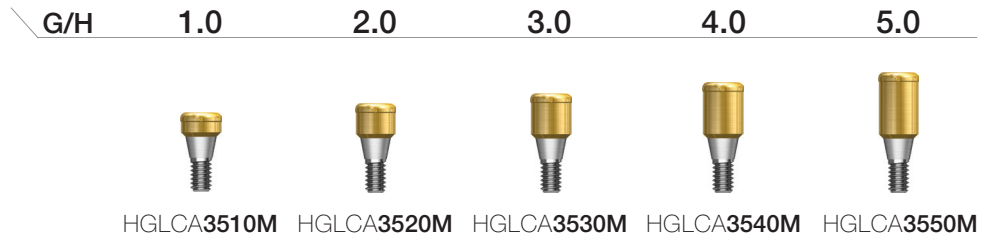
ITEM	ITEM CODE	ITEM INCLUDED	DESCRIPTION
MAGIC DENTURE STARTER KIT	MDSKIT	TRAY	SMALL (2EA)
			MEDIUM (2EA)
			LARGE (2EA)
			EX-LARGE (2EA)
		LIP RULER	1 EA
		JAW GAUGE	1 EA
		SINGLE ARCH ATTACHMENT	4 EA
		EZ-TRACER	10EA
		SHADE GUIDE	1 EA
MANUAL	1 EA		

Locator® Legacy Abutment

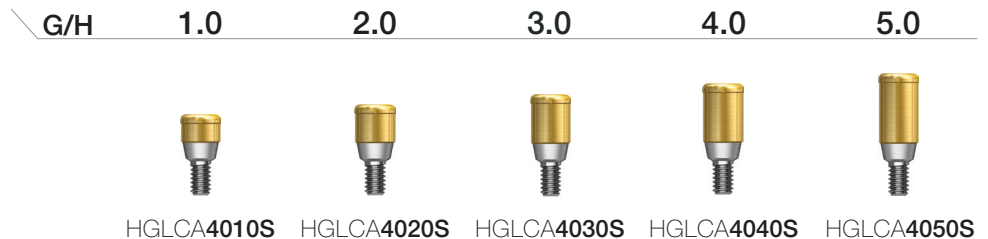
- Genuine Zest Anchors abutment
- Angle compensation up to 40°
- 1.5mm lower profile with various attachments for stable retention force
- Torque using a Locator Outer Driver (code: TWLDSK/TWLDSK)
- Recommended tightening torque: 30Ncm



D Ø3.7



D Ø3.7



Locator® Legacy Abutment Components

Locator® Male Processing Kit

- Components
 - Block out spacer / denture cap, black processing male
 - Replacement male blue/pink/clear
- A full range of retentive males are included with each denture cap to allow personalized retention for each specific patient
- Locator Core Tool places and removes nylon retentive males
- Packing unit: 2 sets



Locator® Replacement Male

- Retention force: approx. 6N
- Angle compensation up to 20°
- Packing unit: 4ea



- Retention force: approx. 12N
- Angle compensation up to 20°
- Packing unit: 4ea

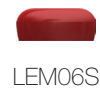


- Retention force: approx. 22N
- Angle compensation up to 20°
- Packing unit: 4ea



Locator® Extended Replacement Male

- Retention force: approx. 6N
- Angle compensation up to 20-40°
- Packing unit: 4ea



- Retention force: approx. 12N
- Angle compensation up to 20-40°
- Packing unit: 4ea



Locator® Legacy Abutment Components

Locator® Black Processing Male

- A nylon male used in prosthesis fabrication process
- Packing unit: 4ea



LBPS

Locator® Block Out Spacers

- Block-out spacers used on the heads of the locator abutments.
- Seals gap between denture cap and abutment
- Packing unit: 20ea



LBSS

Locator® Impression Coping

- A pick up impression coping
- Closed tray
- Packing unit: 4ea



LICS

Locator® Lab Analog

- A lab analog for locator abutment
- Packing unit: 4ea



LAL40S

Locator® Core Tool

- Places and removes nylon retentive males in the denture cap
- Divides into three separate tools: includes a hand driver for locator abutment



LCCT

Locator® Torque Driver

- Locator torque driver

Type

Short

Long



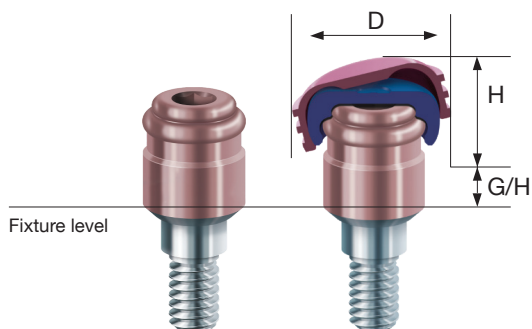
TWLDSK



TWLDLK

Locator® R-Tx Removable Attachment

- Maintain overall user familiarity and processing techniques
- All-in-one packaging (Abutment, Denture Attachment Housing, Retention Inserts, Block-out Spacer)
- Angle correction up to 30°
- Easier retention terminology: zero, low, medium, high
- Replace the Legacy LOCATOR® center cavity with a conventional .050"/1.25mm Hex Driver to seat abutment
- New DuraTec® coating (TiCN – Titanium Carbon Nitride) for greater wear resistance that is anodized pink for better aesthetics



M Mini

R Regular

D Ø3.5

G/H 1.0 2.0 3.0 4.0 5.0 6.0

M

RHGLCA3510MA RHGLCA3520MA RHGLCA3530MA RHGLCA3540MA RHGLCA3550MA RHGLCA3560MA

Conical
Compatible with
ETIII NH & SA

D Ø4.0

G/H 1.0 2.0 3.0 4.0 5.0 6.0

R

RHGLCA4010SA RHGLCA4020SA RHGLCA4030SA RHGLCA4040SA RHGLCA4050SA RHGLCA4060SA

Conical
Compatible with
ETIII NH & SA

G/H 1.0 2.0 3.0 4.0

Tissue Level
(Regular Platform)
Compatible with SSII

RHSLCA4810RA RHSLCA4820RA RHSLCA4830RA RHSLCA4840RA

Locator® R-Tx Processing Components

Retention Inserts

- Nylon Inserts pivot within the Denture Attachment Housing during the insertion and removal of the overdenture
- Zero Retention Insert
- Packing unit: 4ea



RLRMZS

- Nylon Inserts pivot within the Denture Attachment Housing during the insertion and removal of the overdenture
- Low Retention Insert
- Packing unit: 4ea



RLRMLS

- Nylon Inserts pivot within the Denture Attachment Housing during the insertion and removal of the overdenture
- Medium Retention Insert
- Packing unit: 4ea



RLRMMS

- Nylon Inserts pivot within the Denture Attachment Housing during the insertion and removal of the overdenture
- High Retention Insert
- Packing unit: 4ea



RLRMHS

Processing Spacer

- Creates a recess in the overdenture
- Allows the Denture Attachment Housing to be seated without any interference
- Along with the surrounding overdenture acrylic.



RLAPSS

Locator® R-Tx Processing Components

Block Out Spacers

- Blocks out undercut areas immediately
- Surrounds the abutment
- Keeps the rim of the Denture Attachment Housing clean during the pick-up



RLBSS

Abutment Analog

- Inserted into the Impression Coping
- Packaged in three dimensions to accommodate smaller and larger sized implants

3.35

4.0

5.0



RLAL30S



RLAL40S



RLAL50S

Impression Coping

- Used to transfer the position of the abutment from the mouth into the model



RLICS

Denture Attachment Processing Assembly

- Permanently attached into the overdenture allowing the Retention Inserts to pivot during insertion and removal
- Packing unit: 4ea



RLDAPAS

Processing Insert

- The pre-inserted Black Processing Insert is used during the pick-up and try-in processes
- Packing unit: 4ea



RLBPS

R-Tx Retention Insert Tool

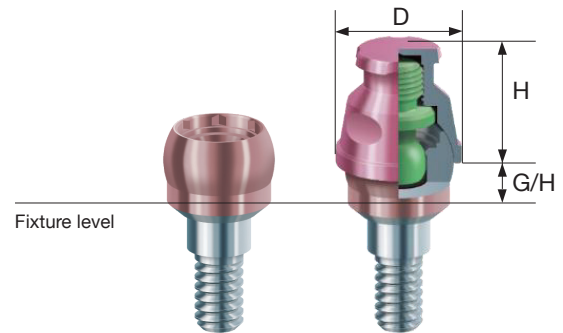
- Used only for insertion and removal of the Retention and Processing Inserts



RLCCT

Locator® F-Tx Fixed Attachment

- Implant attachment for rigid connection of fixed, partial and full-arch restorations on endosseous dental implants
- Snap-In Feature
- Angulation correction up to 20°
- Easily seated and quickly removed from the LOCATOR F-Tx prosthesis by the clinician as needed
- A minimum of four implants are required in a full-arch case for cross-arch stabilization
- Esthetic advantages - No screws, No access hole



M Mini

R Regular

D Ø3.5

M

G/H	1.5	2.0	3.0	4.0	5.0	6.0
	FTX3515ETM	FTX3520ETM	FTX3530ETM	FTX3540ETM	FTX3550ETM	FTX3560ETM

D Ø4.0

R

G/H	1.5	2.0	3.0	4.0	5.0	6.0
	FTX4015ETS	FTX4020ETS	FTX4030ETS	FTX4040ETS	FTX4050ETS	FTX4060ETS

Locator® F-Tx Components

Black Processing Ball

- Radel material
- Used for chairside try-in/pick-up and lab processing only
- Not to be used as a Retention Ball



FTXPB

Retention balls

- PEEK material
- Single use only
- Must be replaced each time the prosthesis is removed
- Seating Force: 3LBs (Low)
- Removal Force: 5LBs (Low)



FTXLRB

- PEEK material
- Single use only
- Must be replaced each time the prosthesis is removed
- Seating Force: 6LBs (Medium)
- Removal Force: 10LBs (Medium)



FTXMRB

- PEEK material
- Single use only
- Must be replaced each time the prosthesis is removed
- Seating Force: 13LBs (High)
- Removal Force: 20LBs (High)

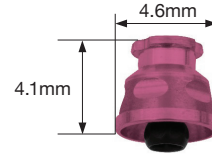


FTXHRB

Locator® F-Tx Components

Denture Attachment Housing (DAH)

- Passively picked-up chairside into the prosthesis
- Intimate metal to metal interface with the spherical abutment
- Aggressive grooves and flats limit vertical and rotational movement within the prosthesis
- Internally threaded Processing & Retention Balls
- Anodized pink for esthetics



FTXDAH

Hex Square Abutment Driver (1.25mm)



FTXMD

Hex Latch Abutment Driver for Handpiece (1.25mm)



FTXLD

Retention Ball Hex Driver

- Unique design which engages the hex of the Processing Ball and PEEK Retention Balls
- Easily removes stripped Retention Balls



FTXRBHD

Healing Cap (Not included in the package)

- Snaps onto the abutment to hold back the tissue during healing and/or processing of the provisional prosthesis
- Fabricated from PEEK



FTXHC

Block Out Spacers

- Two included in the F-Tx all-in-one package
- Used to block undercuts when picking up the Denture Attachment Housing chairside, in the lab, or when using the Impression Coping
- Packing unit: 20ea



LBSS

Waxing Cap

- Used to wax and cast the metal framework



FTXWC

Polishing Cap

- Used to protect the Denture Attachment Housing when polishing the underside of the provisional or final prosthesis
- Remove the Processing/Retention Ball from the Housing and screw in the Polishing Cap until fully seated



FTXPLC

Locator® F-Tx Processing Components

Seating & Removal Tool

- For seating and removing the prosthesis retained by the LOCATOR® F-Tx
- Engaging and disengaging the Retention Balls from the F-Tx Abutments
- Autoclavable, for multi-patient use



Seating and Removal Tool



Wire and
Lever Wrench



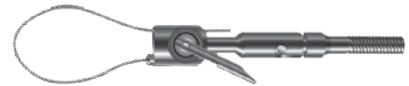
Tip
Wrench



Seating Tip



Removal Tip with Threaded Adapter



Locator® F-Tx Processing Components

CHAIRSIDE® Attachment Processing Material

- Designed for ease of use and predictability when processing attachments into full and partial overdentures, using either a chairside or laboratory procedure.

4mL Syringe

- 4ml Syringe and Plunger
- Mixing tip: 15ea
- Angled Tip: 15ea



4mL Syringe and Plunger



Mixing Tips (15)



Angled Tips (15)

18mL Cartridge

- 18ml Cartridge
- Mixing Tips: 10ea



18mL Cartridge



Mixing Tips (10)



HIOSSEN KITS

KITS

- 130** OneGuide Kit
- 144** OneCAS Kit
- 148** OneMS Kit
- 154** 122 Taper Kit
- 162** Taper Kit
- 163** Taper Ultra Kit
- 174** Ultra Kit
- 186** Parallel Guide Kit
- 190** SmartGuide Kit
- 194** Prosthetic Kit
- 204** CAS Kit
- 210** LAS Kit
- 214** ESSET Kit
- 218** EM(MS) Kit
- 222** ESR Kit & ESR Full Kit
- 232** EFR Kit & EFR Full Kit
- 238** IM-Cure Kit
- 242** Surgical Instruments

OneGuide KIT (OOGK)

For

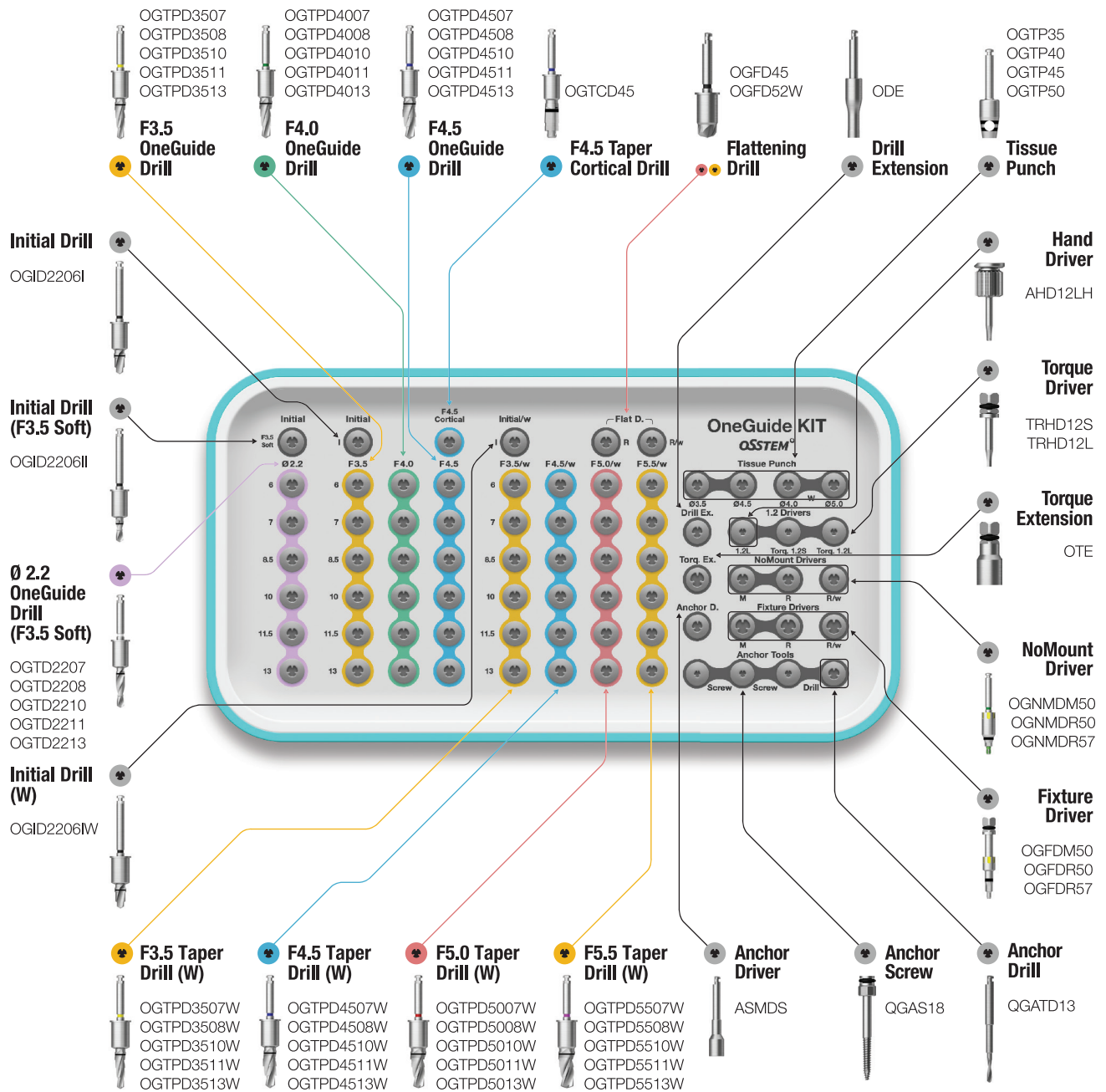
ETIII / IV

SSIII

USIII

HIOSSEN KITS

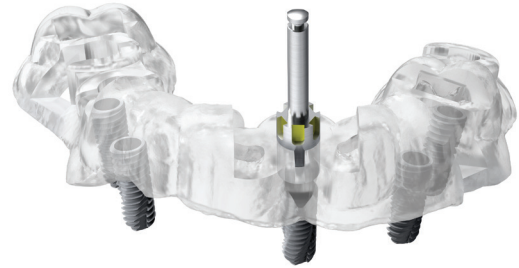
130



OneGuide KIT Surgical Instruments

OneGuide Template

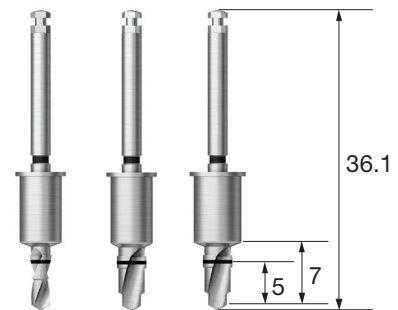
- Option for open or closed sleeve types
 - Open type is recommended for use in posterior with limited space
- Two sizes of guide holes depending on the diameter of the fixture
 - D5.0 for implant diameters: F3.5/4.0/4.5
 - D5.8 for implant diameter: F5.0
- Dual contact feature ensures excellent positioning accuracy and stability
- Simple drilling sequence by adopting 122 Taper Kit concepts
- Packing unit : surgical guide (optional: SmartFit abutment, Temporary Crown)



Initial Drill

- For initial drilling after using the tissue punch
- Secures enough depth for the subsequent drill to ensure stability
- 3 types (F3.5 in soft bone / below F5.0 / for F5.0)

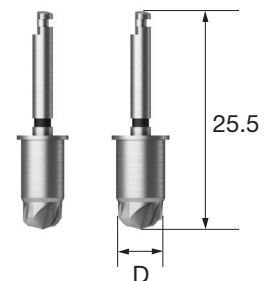
For F3.5 Soft	OGID2206II
For below F5.0	OGID2206I
For F5.0	OGID2206IW



Flattening Drill

- Used for narrow or uneven ridges
- Cutting edge design allows for stable bone removal without bounce back
- 2 types (below F5.0 / for F5.0)

D	Ø4.5	Ø5.2
For below F5.0	OGFD45	-
For F5.0	-	OGFD52W

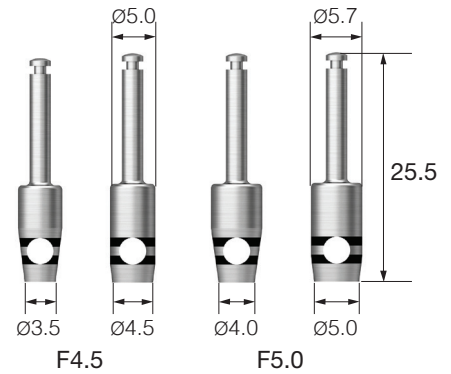


OneGuide KIT Surgical Instruments

Tissue Punch

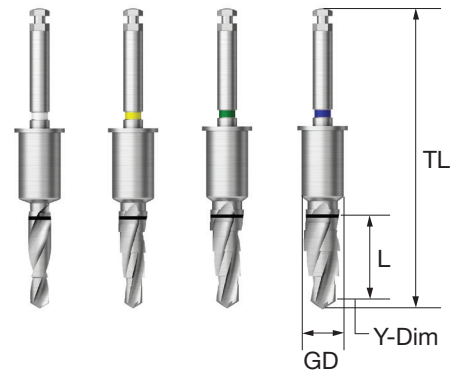
- Used to remove gingiva
- Laser marked lines at 1mm intervals for easy gingival height measurement
- 2 types of each (for below F5.0 / for F5.0)

For below F5.0	OGTP35	OGTP45
For F5.0	OGTP40	OGTP50



OneGuide Drill

- Taper drill design optimized for Type III/IV fixtures
- Multi-step drill design allows for stable drilling
- 3 types (for F3.5 in soft bone / below F5.0 / F5.0)
- F4.5 cortical drill needed for F4.5 placement in hard bone



F3.5 Soft Bone

L	TL	$\varnothing 2.2$
	Y-Dim	0.7
		GD
		5.0
7	36.1	OGTD2207
8.5	36.1	OGTD2208
10	36.1	OGTD2210
11.5	37.6	OGTD2211
13	39.1	OGTD2213

For below F5.0

L	TL	F3.5	F4.0	F4.5	F4.5 Cortical
	Y-Dim	0.7	0.9	1.0	-
	GD	5.0	5.0	5.0	5.0
6	36.1	OGTPD3506	OGTPD4006	OGTPD4506	-
7	36.1	OGTPD3507	OGTPD4007	OGTPD4507	-
8.5	36.1	OGTPD3508	OGTPD4008	OGTPD4508	-
10	36.1	OGTPD3510	OGTPD4010	OGTPD4510	OGTCD45
11.5	37.6	OGTPD3511	OGTPD4011	OGTPD4511	-
13	39.1	OGTPD3513	OGTPD4013	OGTPD4513	-

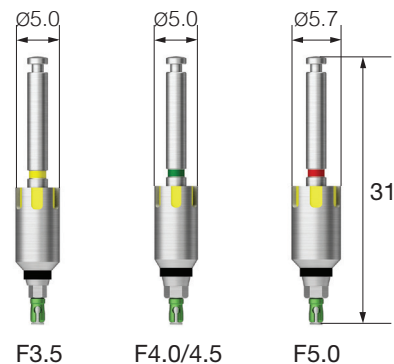
For F5.0

L	TL	F3.5(w)	F4.5(w)	F5.0(w)	F5.5(w)
	Y-Dim	0.7	0.9	1.0	1.0
	GD	5.7	5.7	5.7	5.7
6	36.1	OGTPD3506W	OGTPD4506W	OGTPD5006W	OGTPD5506W
7	36.1	OGTPD3507W	OGTPD4507W	OGTPD5007W	OGTPD5507W
8.5	36.1	OGTPD3508W	OGTPD4508W	OGTPD5008W	OGTPD5508W
10	36.1	OGTPD3510W	OGTPD4510W	OGTPD5010W	OGTPD5510W
11.5	37.6	OGTPD3511W	OGTPD4511W	OGTPD5011W	OGTPD5511W
13	39.1	OGTPD3513W	OGTPD4513W	OGTPD5013W	OGTPD5513W

NoMount Driver

- Used to place a NoMount fixture
- It is recommended to place the implant ~80% of the planned fixture depth with this driver
- C = Connection

C	Mini(Ø5.0)	Regular(Ø5.0)	Regular(Ø5.7)
F3.5	OGNMDM50	-	-
F4.0 / 4.5	-	OGNMDR50	-
F5.0	-	-	OGNMDR57

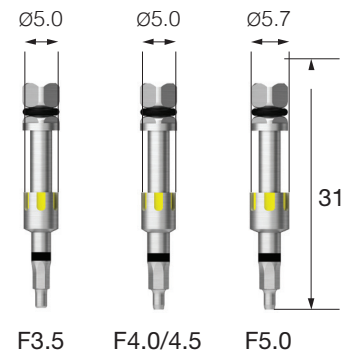


OneGuide KIT Surgical Instruments

Fixture Driver

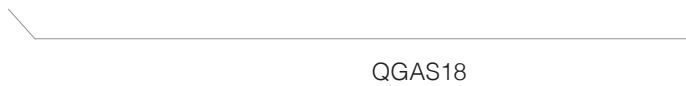
- Used with the torque wrench for final implant placement
- Yellow grooves aligns with abutment hex direction
- Match the groove of OneGuide template with the groove of driver
- C = Connection

C	Mini(Ø5.0)	Regular(Ø5.0)	Regular(Ø5.7)
F3.5	OGFDM50	-	-
F4.0 / 4.5	-	OGFDR50	-
F5.0	-	-	OGFDR57



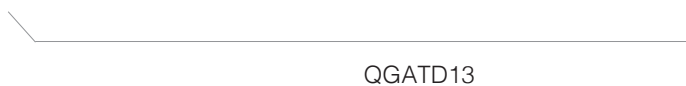
Anchor Screw

- To affix the OneGuide firmly
- Selectable at the planning stage



Anchor Drill

- Used for drilling before using anchor screw



Anchor Driver

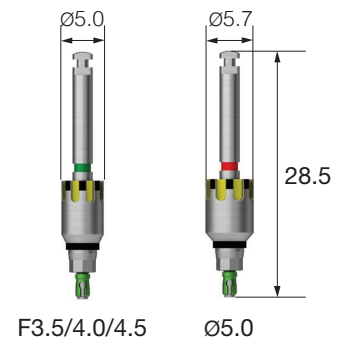
- Used to place anchor screw



NoMount Driver for SS

- Used for SSIII NoMount fixture placement
- It is recommended to place the implant ~80% of the planned fixture depth with this driver
- P = Platform

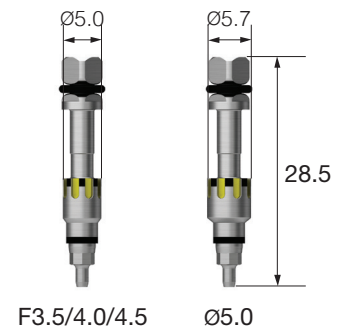
P	Regular(Ø5.0)	Regular(Ø5.7)
F3.5 / 4.0 / 4.5	OGNMDR50S	-
F5.0	-	OGNMDR57S



Fixture Driver for SS

- Used with the torque wrench for adjustment of the final implant placement
- SSIII G/H 2.8 fixture is implanted to the bottom of the driver's marking line
- Yellow grooves align the abutment hex direction
- Match the groove of OneGuide template with the groove of driver
- P = Platform

P	Regular(Ø5.0)	Regular(Ø5.7)
F3.5 / 4.0 / 4.5	OGFDR50S	-
F5.0	-	OGFDR57S

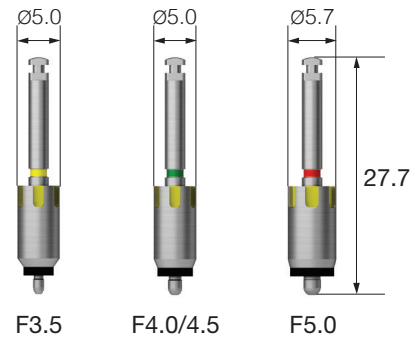


OneGuide KIT Surgical Instruments

NoMount Driver for US

- Used with the torque wrench for adjustment of the final implant placement
- Yellow groove aligns with abutment hex direction
- Match the groove of OneGuide template with the groove of driver
- P = Platform

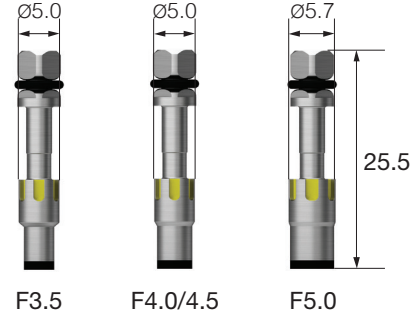
P	Mini(Ø5.0)	Regular(Ø5.0)	Wide(Ø5.7)
F3.5	OGNMDM50U	-	-
F4.0 / 4.5	-	OGNMDR50U	-
F5.0	-	-	OGNMDW57U



Fixture Driver for US

- Used with the torque wrench for final fixture placement
- Yellow groove aligns with abutment hex direction
- Match the groove of OneGuide template with the groove of driver
- P = Platform

P	Mini(Ø5.0)	Regular(Ø5.0)	Wide(Ø5.7)
F3.5	OGFDM50U	-	-
F4.0 / 4.5	-	OGFDR50U	-
F5.0	-	-	OGFDW57U



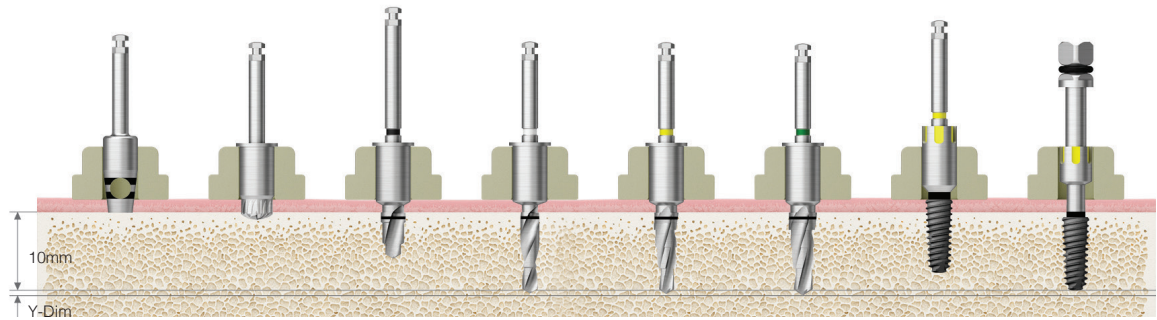
HIOSSSEN[®]
I M P L A N T

Drilling Sequence OneGuide Drill

ETIII | SSIII | USIII

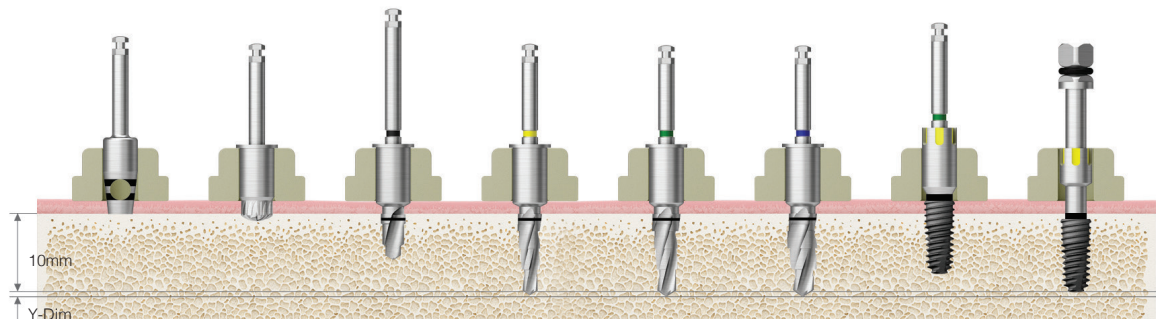
(Length : 10mm)

Ø3.5



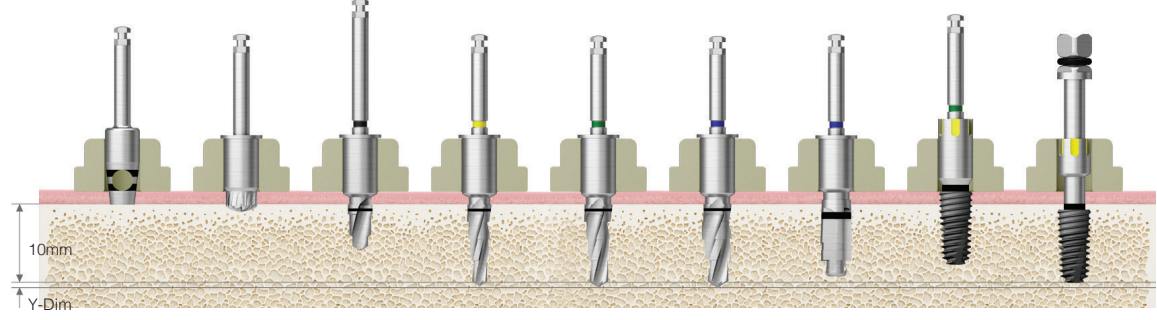
Bone Quality	Tissue Punch	Flattening Drill	Initial Drill	Ø2.2 Drill	F3.5 Drill	F4.0 Drill	Nomount Driver	Fixture Driver
Soft	▶	▶▶	(F3.5 Soft)▶	▶			Implant Placement (Up to 80%)	Implant Placement
Normal	▶	▶▶	▶		▶			
Hard	▶	▶▶	▶		▶	▶		

Ø4.0



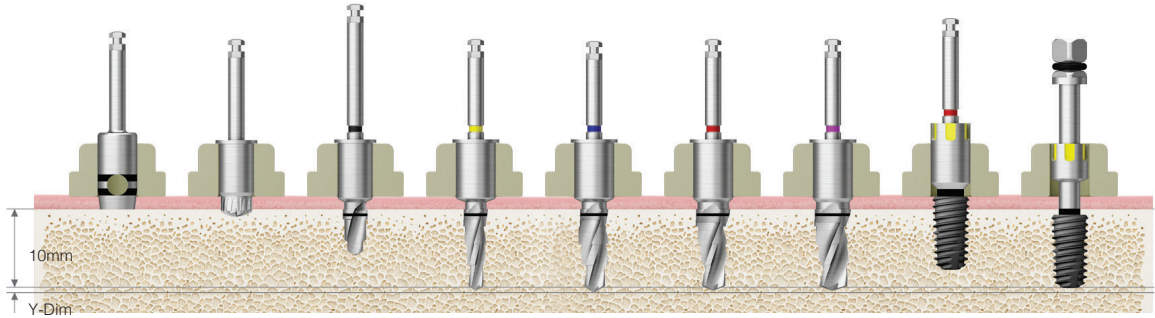
Bone Quality	Tissue Punch	Flattening Drill	Initial Drill	F3.5 Drill	F4.0 Drill	F4.5 Drill	Nomount Driver	Fixture Driver
Soft	▶	▶▶	▶	▶			Implant Placement (Up to 80%)	Implant Placement
Normal	▶	▶▶	▶	▶	▶			
Hard	▶	▶▶	▶	▶		▶		

Ø4.5



Bone Quality	Tissue Punch	Flattening Drill	Initial Drill	F3.5 Drill	F4.0 Drill	F4.5 Drill	F4.5 Cortical	Nomount Driver	Fixture Driver
Soft	▶	▶▶	▶	▶	▶			Implant Placement (Up to 80%)	Implant Placement
Normal	▶	▶▶	▶	▶		▶			
Hard	▶	▶▶	▶	▶		▶	▶		

Ø5.0



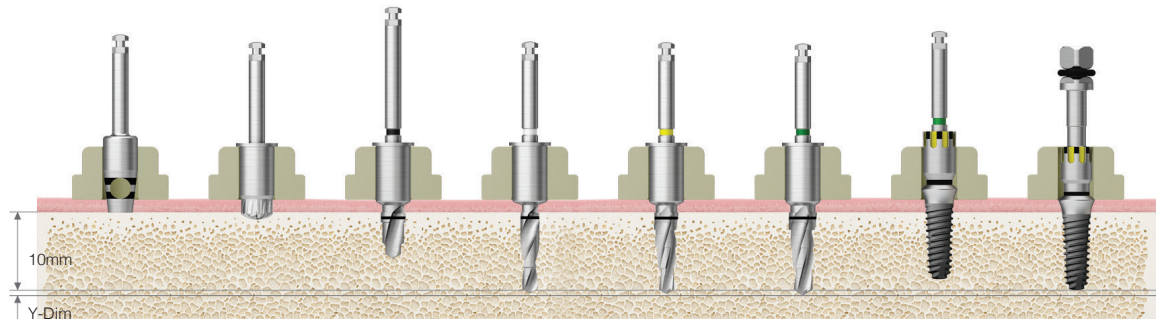
Bone Quality	Tissue Punch	Flattening Drill (W)	Initial Drill (W)	F3.5 Drill (W)	F4.5 Drill (W)	F5.0 Drill (W)	F5.5 Drill (W)	Implant Placement (Up to 80%)	Implant Placement
Soft	▶	(▶)	▶	▶	▶				
Normal	▶	(▶)	▶	▶		▶		▶	
Hard	▶	(▶)	▶	▶		▶	▶		

Drilling Sequence OneGuide Drill

ETIII | SSIII | USIII

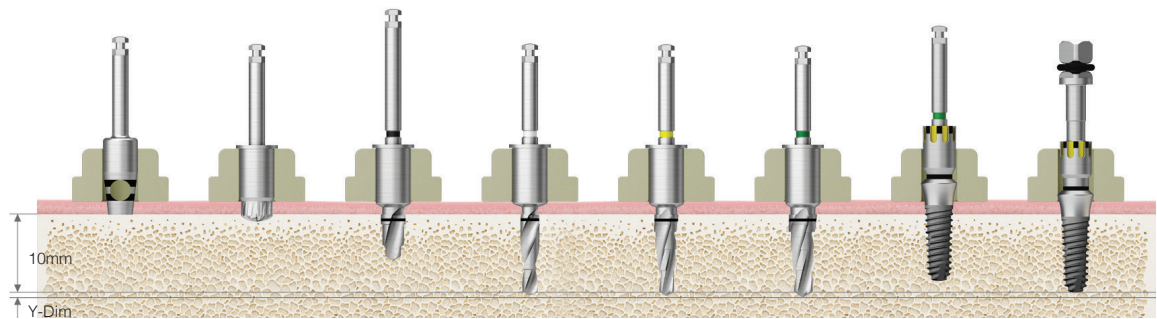
(Length : 10mm)

G/H1.8
Ø3.5



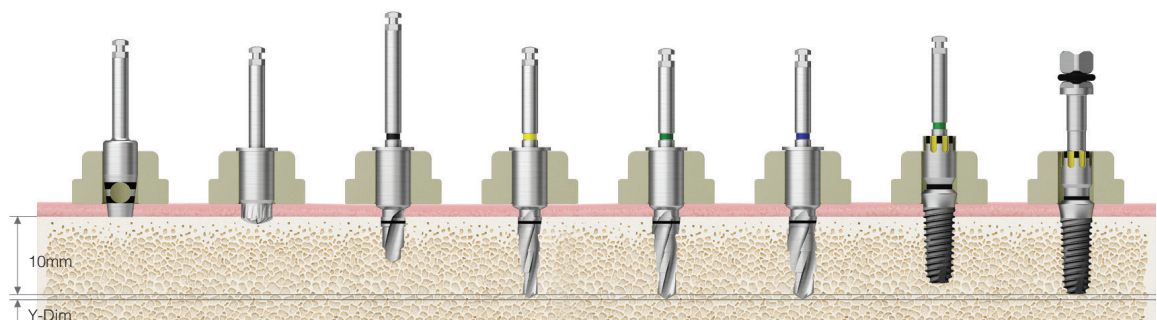
Bone Quality	Tissue Punch	Flattening Drill	Initial Drill	Ø2.2 Drill	F3.5 Drill	F4.0 Drill	Nomount Driver	Fixture Driver
Soft	▶	▶	(F3.5 Soft) ▶	▶			Implant Placement (Up to 80%)	Implant Placement
Normal	▶	▶	▶		▶			
Hard	▶	▶	▶		▶	▶		

G/H2.8
Ø3.5



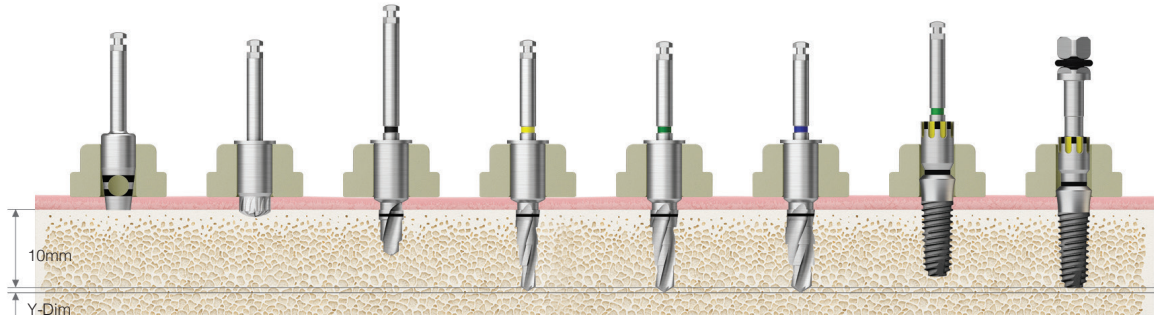
Bone Quality	Tissue Punch	Flattening Drill	Initial Drill	Ø2.2 Drill	F3.5 Drill	F4.0 Drill	Nomount Driver	Fixture Driver
Soft	▶	▶	(F3.5 Soft) ▶	▶			Implant Placement (Up to 80%)	Implant Placement
Normal	▶	▶	▶		▶			
Hard	▶	▶	▶		▶	▶		

G/H1.8
Ø4.0



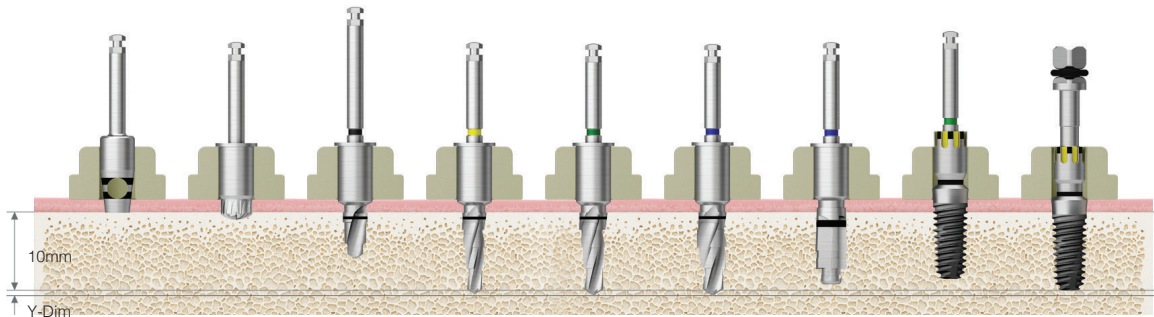
Bone Quality	Tissue Punch	Flattening Drill	Initial Drill	F3.5 Drill	F4.0 Drill	F4.5 Drill	Nomount Driver	Fixture Driver
Soft	▶	▶	▶	▶			Implant Placement (Up to 80%)	Implant Placement
Normal	▶	▶	▶	▶	▶			
Hard	▶	▶	▶	▶		▶		

**G/H2.8
Ø4.0**



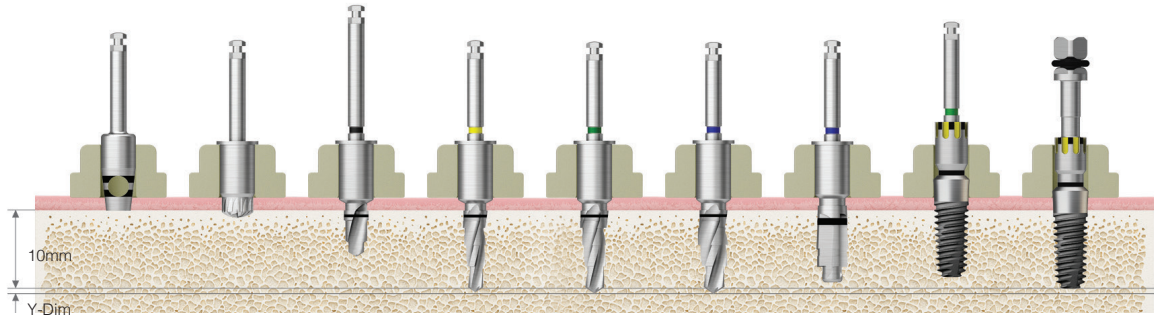
Bone Quality	Tissue Punch	Flattening Drill	Initial Drill	F3.5 Drill	F4.0 Drill	F4.5 Drill	Nomount Driver	Fixture Driver
Soft	▶	▶	▶	▶			Implant Placement (Up to 80%)	Implant Placement
Normal	▶	▶	▶	▶	▶			
Hard	▶	▶	▶	▶		▶		

**G/H1.8
Ø4.5**



Bone Quality	Tissue Punch	Flattening Drill	Initial Drill	F3.5 Drill	F4.0 Drill	F4.5 Drill	F4.5 Cortical	Nomount Driver	Fixture Driver
Soft	▶	▶	▶	▶	▶			Implant Placement (Up to 80%)	Implant Placement
Normal	▶	▶	▶	▶		▶			
Hard	▶	▶	▶	▶		▶	▶		

**G/H2.8
Ø4.5**



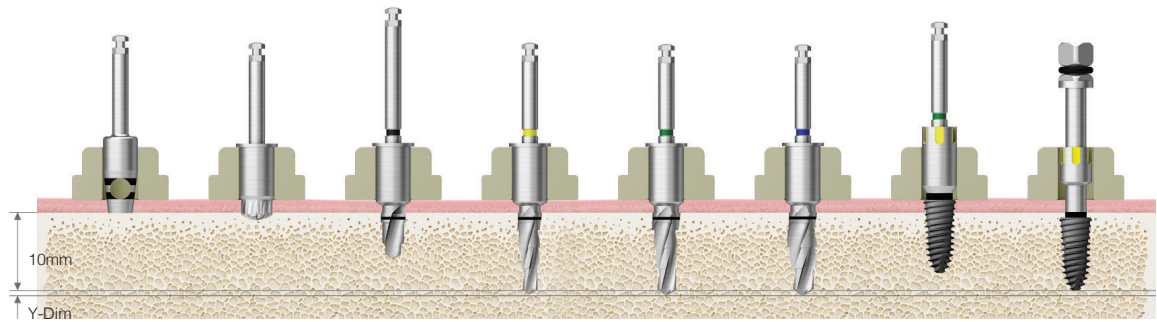
Bone Quality	Tissue Punch	Flattening Drill	Initial Drill	F3.5 Drill	F4.0 Drill	F4.5 Drill	F4.5 Cortical	Nomount Driver	Fixture Driver
Soft	▶	▶	▶	▶	▶			Implant Placement (Up to 80%)	Implant Placement
Normal	▶	▶	▶	▶		▶			
Hard	▶	▶	▶	▶		▶	▶		

Drilling Sequence OneGuide Drill

ETIV

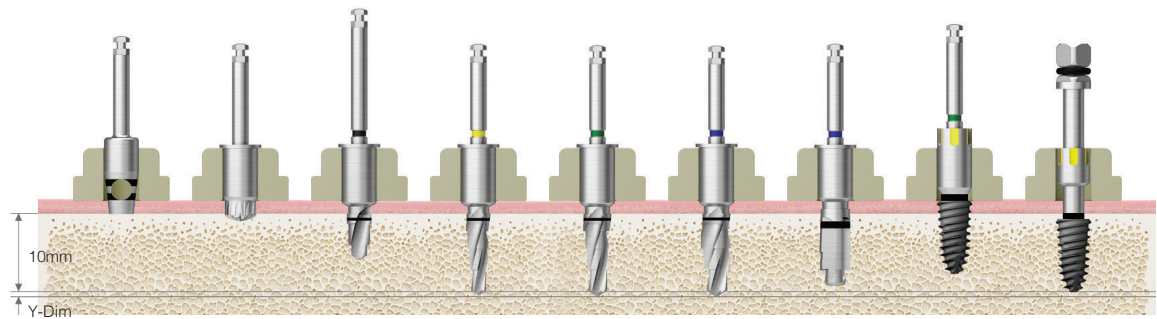
(Length : 10mm)

Ø4.0



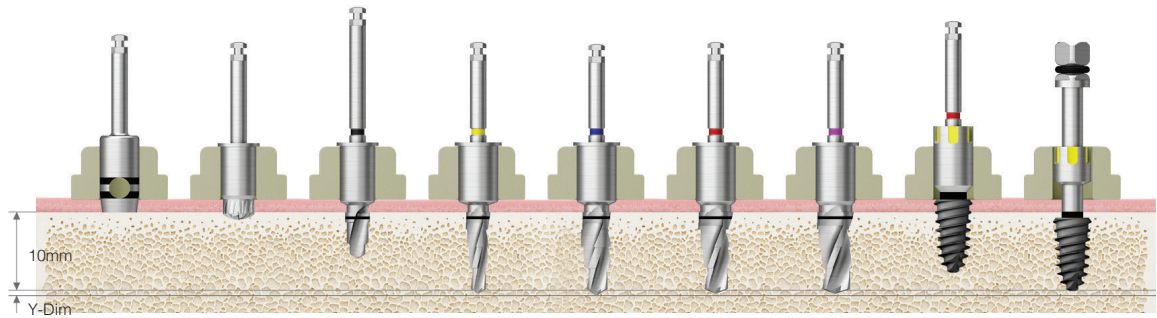
Bone Quality	Tissue Punch	Flattening Drill	Initial Drill	F3.5 Drill	F4.0 Drill	F4.5 Drill	Nomount Driver	Fixture Driver
Soft	▶	▶	▶	▶				
Normal	▶	▶	▶	▶	▶		Implant Placement (Up to 80%)	Implant Placement
Hard								

Ø4.5



Bone Quality	Tissue Punch	Flattening Drill	Initial Drill	F3.5 Drill	F4.0 Drill	F4.5 Drill	F4.5 Cortical	Nomount Driver	Fixture Driver
Soft	▶	▶	▶	▶	▶				
Normal	▶	▶	▶	▶		▶		Implant Placement (Up to 80%)	Implant Placement
Hard									

Ø5.0



Bone Quality	Tissue Punch	Flattening Drill (W)	Initial Drill (W)	F3.5 Drill (W)	F4.5 Drill (W)	F5.0 Drill (W)	F5.5 Drill (W)	Nomount Driver	Fixture Driver
Soft	▶	▶	▶	▶	▶				
Normal	▶	▶	▶	▶		▶		Implant Placement (Up to 80%)	Implant Placement
Hard									

HIOSSSEN[®]
I M P L A N T

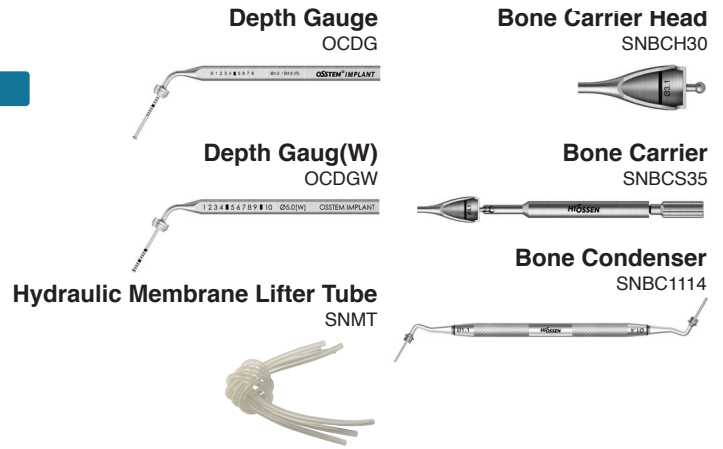
OneCAS KIT (OOCK)

For



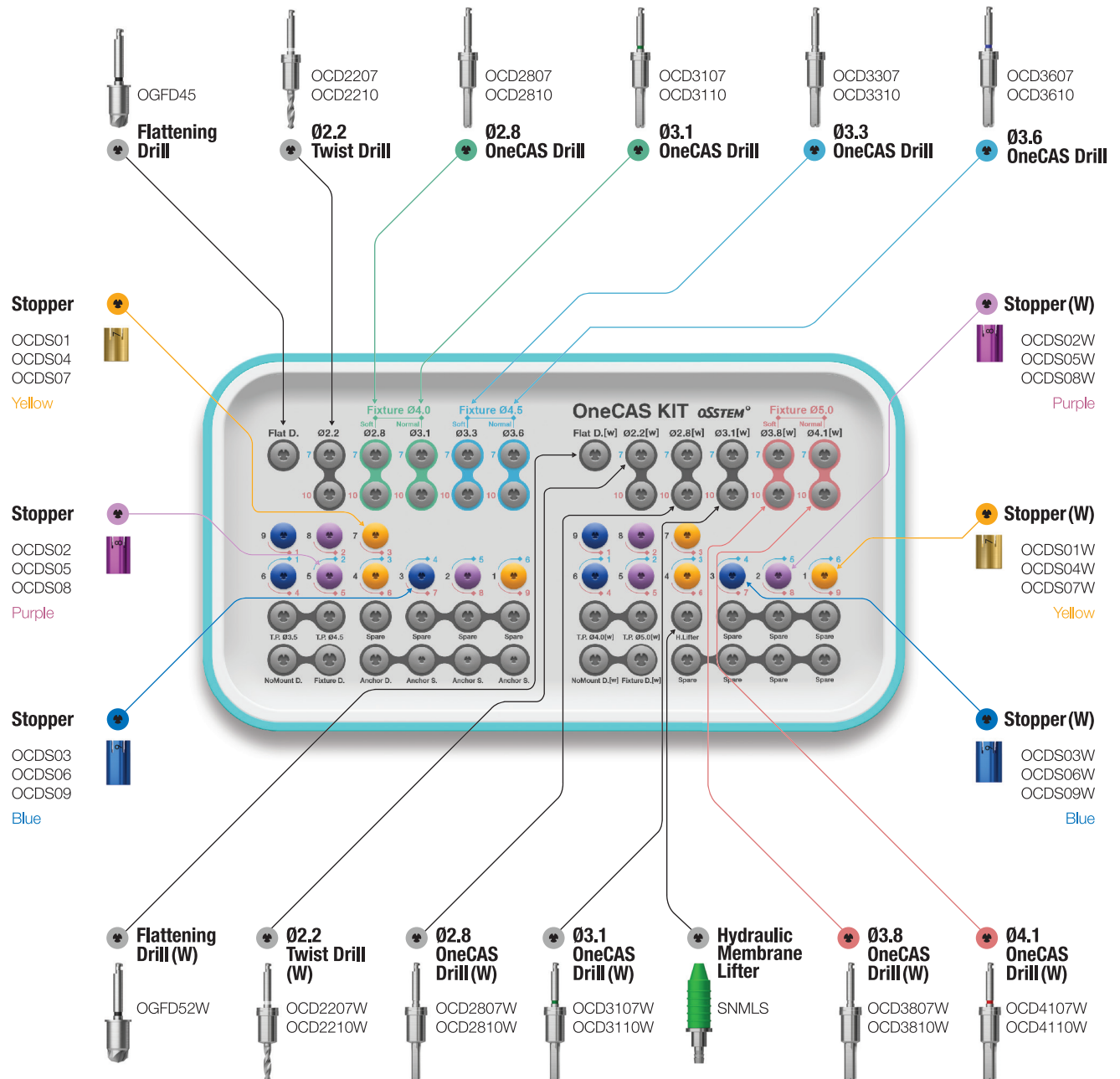
Top panel components

Lower



HIOSSEN KITS

144



OneCAS KIT Surgical Instruments

OneCAS $\varnothing 2.2$ Twist Drill

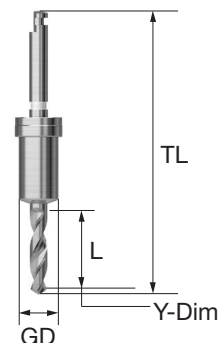
- Recommended to drill 1mm under the lower margin of maxillary sinus
- For use with a stopper for safe membrane approach
- 1mm shorter than the twist drill in the Taper Kit

For F4.0/4.5

L	TL	$\varnothing 2.2$
	Y-Dim	0.6
	GD	5.0
7	33.2	OCD2207
10	36.2	OCD2210

For F5.0 (W)

L	TL	$\varnothing 2.2$
	Y-Dim	0.6
	GD	5.7
7	33.2	OCD2207W
10	36.2	OCD2210W



OneCAS Drill

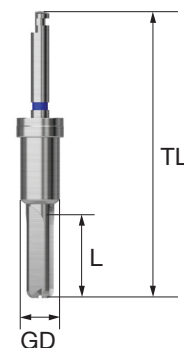
- Use with the guide of OneCAS system
- The membrane is safely lifted during maxillary sinus surgery
- Possible to collect autogenous bone at low rpm's
- For use with a stopper for safe membrane approach
- Final drill diameter selection based on bone quality
- Recommended rpm : 400~800rpm

F4.0/4.5

L	TL	$\varnothing 2.8$	$\varnothing 3.1$	$\varnothing 3.3$	$\varnothing 3.6$
	GD	5.0			
7	33.6	OCD2807	OCD3107	OCD3307	OCD3607
10	36.6	OCD2810	OCD3110	OCD3310	OCD3610

F5.0 (W)

L	TL	$\varnothing 2.8$	$\varnothing 3.1$	$\varnothing 3.8$	$\varnothing 4.1$
	GD	5.7			
7	33.6	OCD2807W	OCD3107W	OCD3807W	OCD4107W
10	36.6	OCD2810W	OCD3110W	OCD3810W	OCD4110W



OneCAS KIT Surgical Instruments

OneCAS Stopper

- Stopper number is total length when engaged
- When the 7mm CAS drill is used, the protruding length is indicated in blue on the OneCAS kit.
When 10mm drill is used, the protruding length is indicated in red
- Color coded by length
- Recommended number of use : 50 times

F4.0/4.5

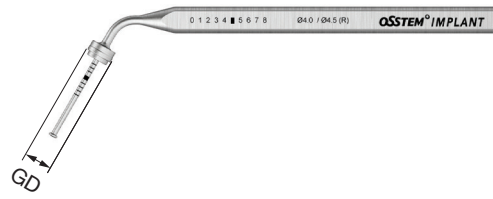
L	1	2	3	4	5	6	7	8	9
	OCDS01	OCDS02	OCDS03	OCDS04	OCDS05	OCDS06	OCDS07	OCDS08	OCDS09
Color	Yellow	Purple	Blue	Yellow	Purple	Blue	Yellow	Purple	Blue

F5.0 (W)

L	1	2	3	4	5	6	7	8	9
	OCDS01W	OCDS02W	OCDS03W	OCDS04W	OCDS05W	OCDS06W	OCDS07W	OCDS08W	OCDS09W
Color	Yellow	Purple	Blue	Yellow	Purple	Blue	Yellow	Purple	Blue

Depth Gauge

- Check if access is gained to the maxillary sinus
- Gauge height of residual bone
- For use with a stopper for safe membrane approach
- Same depth marking lines as on a 10mm drill



F4.0/4.5

L \ GD	5.0
10.6	OCDG

F5.0 (W)

L \ GD	5.7
10.6	OCDGW

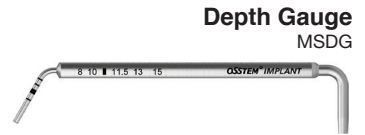
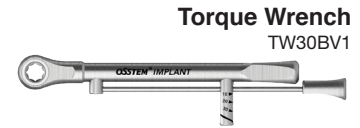
OneMS KIT (OOMSK)

Top panel components

For

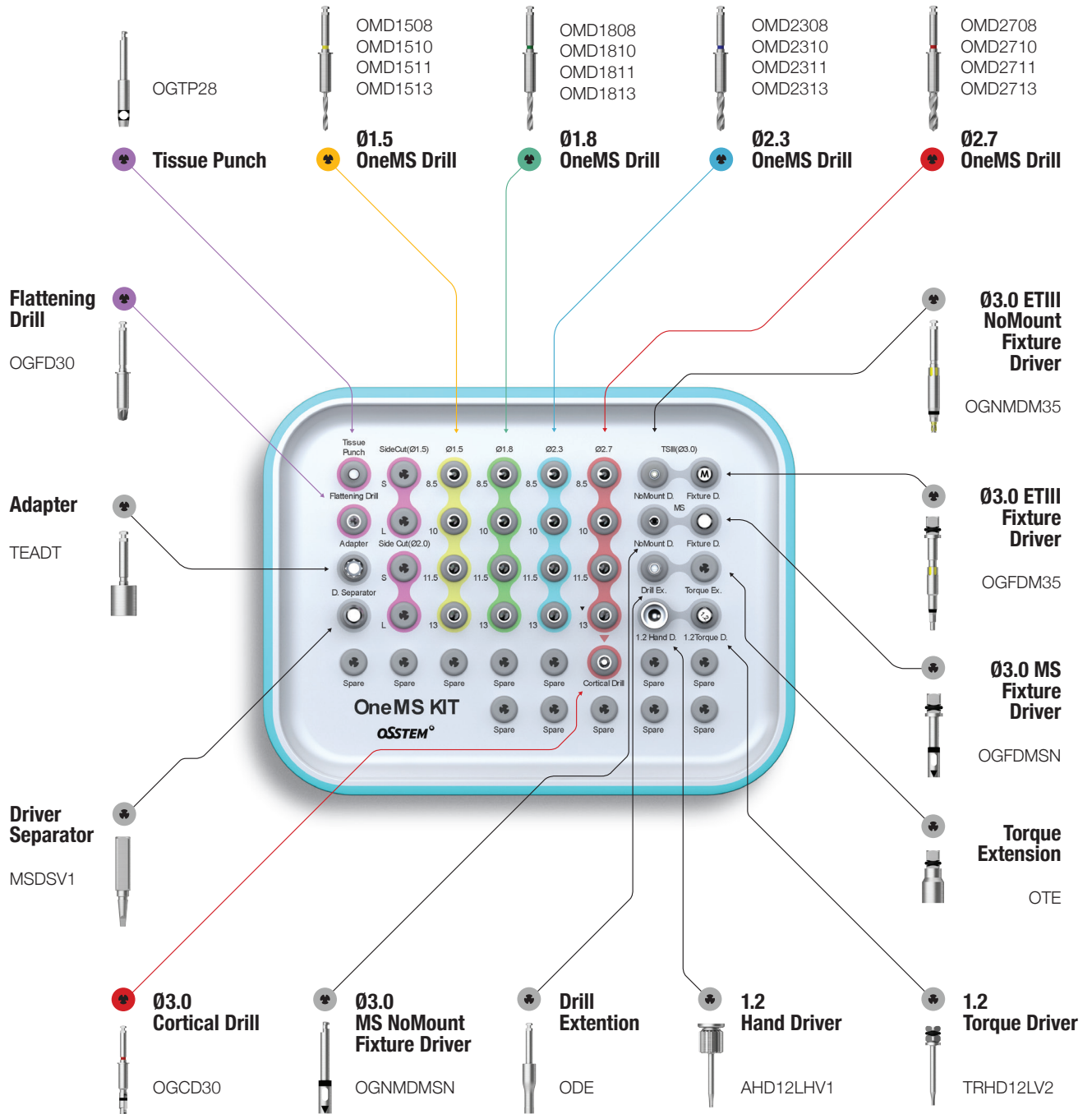
ETIII / IV

EM(MS)



HIOSSEN KITS

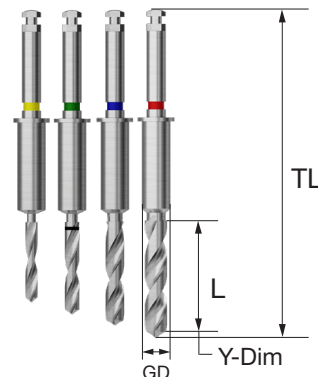
148



OneMS KIT Surgical Instruments

OneMS Drill

- Straight Type Drill for MS implant / ETIII Ø3.2 fixture
(MS Ø2.0~3.0, ETIII Ø3.2 fixture can be placed)
- F3.0 cortical drill needed for F3.0 placement in hard bone
- Start with 8.5mm drill for stable drilling
(Dual contact feature ensures excellent positioning accuracy and stability)

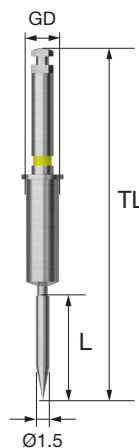


L	TL	Ø1.5	Ø1.8	Ø2.3	Ø2.7
	Y-Dim	0.6	0.6	0.6	0.6
8.5	37.5	OMD1508	OMD1808	OMD2308	OMD2708
10	39	OMD1510	OMD1810	OMD2310	OMD2710
11.5	40.5	OMD1511	OMD1811	OMD2311	OMD2711
13	42	OMD1513	OMD1813	OMD2313	OMD2713
Color		Yellow	Green	Blue	Red

OneMS Lance Drill

- Forms holes in the bone to facilitate initial drilling
- Bone density can be determined through drilling
- Single item (excluded from OneMS KIT)

L	TL	Ø1.5
8.5	37.5	OMLD1508
10	39	OMLD1510
11.5	40.5	OMLD1511
13	42	OMLD1513

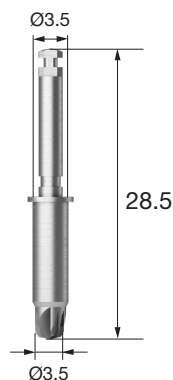


Flattening Drill

- Used for narrow or uneven ridges
- Cutting edge design allows for stable bone removal without bounce back



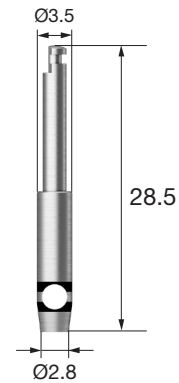
OGFD30



OneMS KIT Surgical Instruments

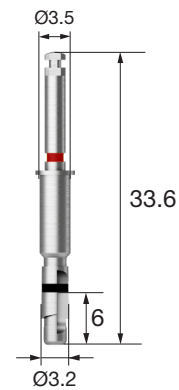
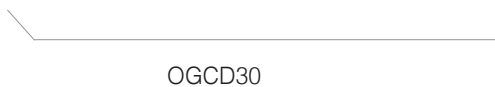
Tissue Punch

- Used to remove gingiva
- Laser marked lines at 1mm intervals for easy gingival height measurement



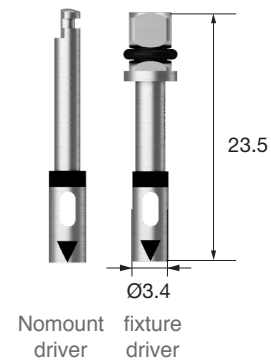
OneMS Cortical Drill

- Drill is used to remove cortical bone from hard bone
- Drills for expansion of cortical bone after use of straight drill (For ETIII Ø3.2 fixture)



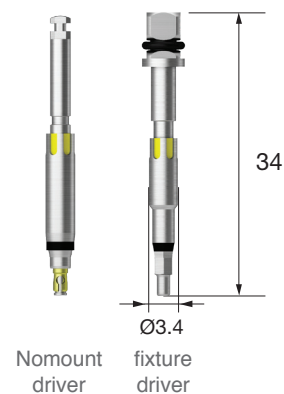
OneMS Driver

- Used with the torque wrench for adjustment of the final implant placement for MS implant narrow ridge
- Match the mark with the implant



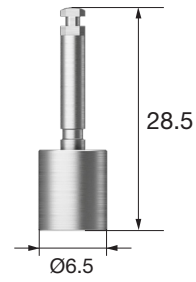
Fixture Driver for ET

- Used with the torque wrench for adjustment of the final implant placement
- Yellow grooves aligns with abutment hex direction
- Match the groove of OneGuide template with the groove of driver
- C = Connection



Adapter

- Use as a torque driver to connecting to the engine



Driver Separator

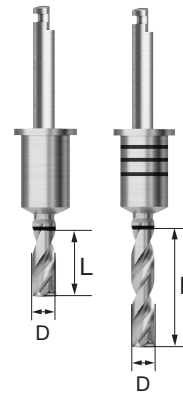
- Used in case a driver is wedged with the implant during insertion
- Insert the Driver Separator into the driver groove to loosen it from the implant



OneMS Path Drill

- Used for the path adjustment of a drilling hole for implant placement
- Flat-bottom cutting design allows for inclined bone cutting
- 4 types (below F4.5/ for F5.0)
- 13mm of marking line: Bottom line 8.5mm, middle line 10mm, top line 11.5mm
- Single item (excluded from OneGuide KIT)

L \ D	Ø2.5	Ø3.0
7.0	OMSD2507	OMSD3007
13.0	OMSD2513	OMSD3013

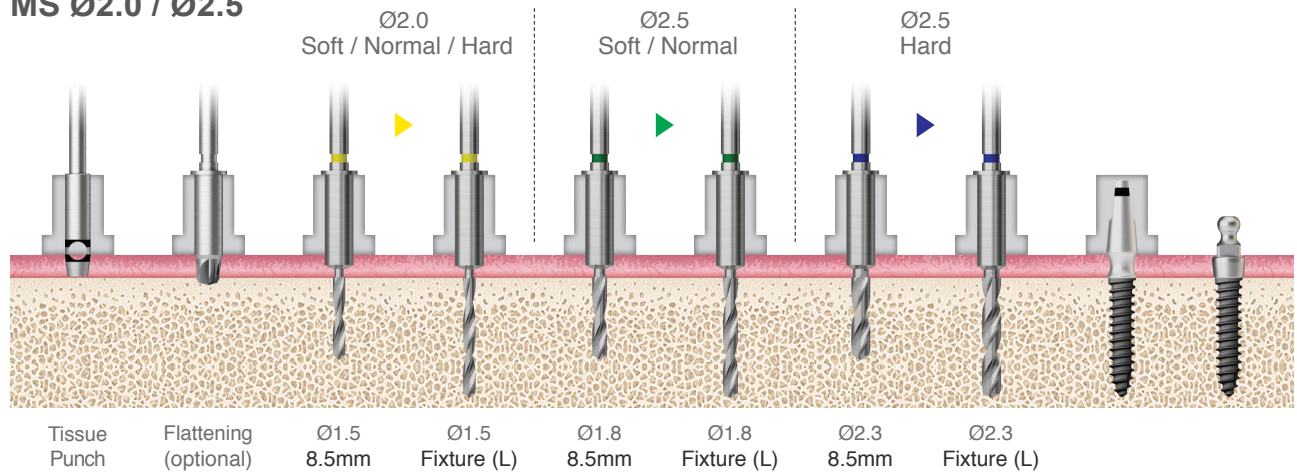


Drilling Sequence OneMS Drill

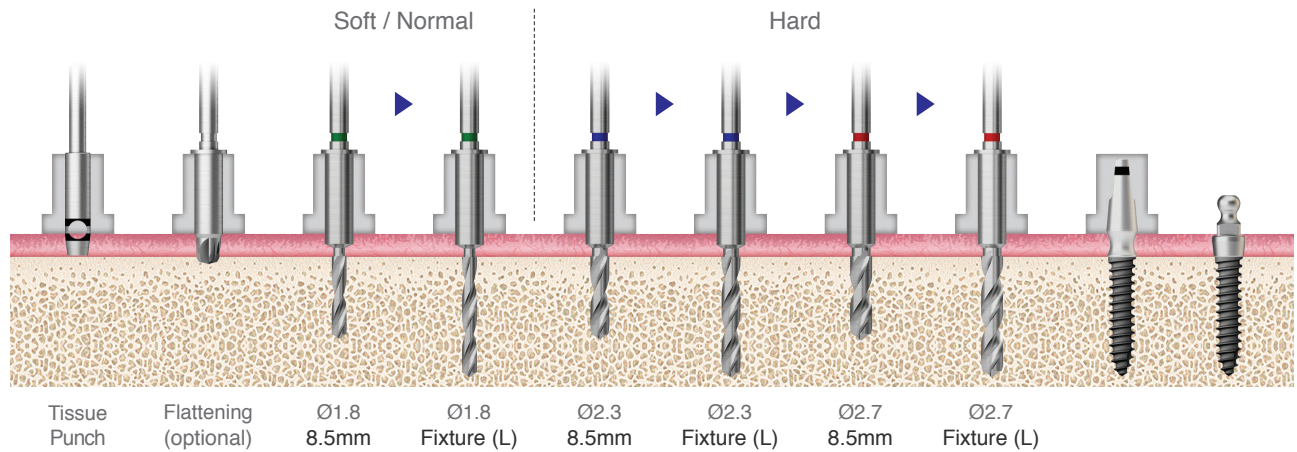
ETIII | EM(MS)

(Length : 8.5mm)

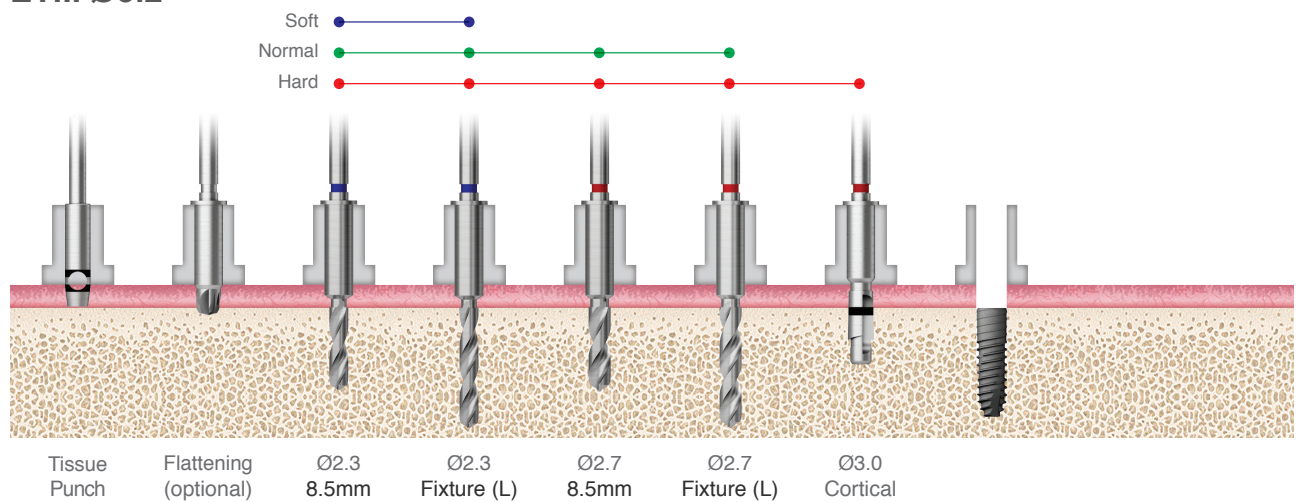
MS Ø2.0 / Ø2.5



MS Ø3.0



ETIII Ø3.2



HIOSSSEN[®]
I M P L A N T

122 Taper KIT (O122TPK)

For

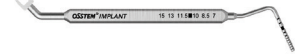
- ETIII / IV
- SSIII
- USIII / IV

Top panel components

Torque Wrench
TW30B

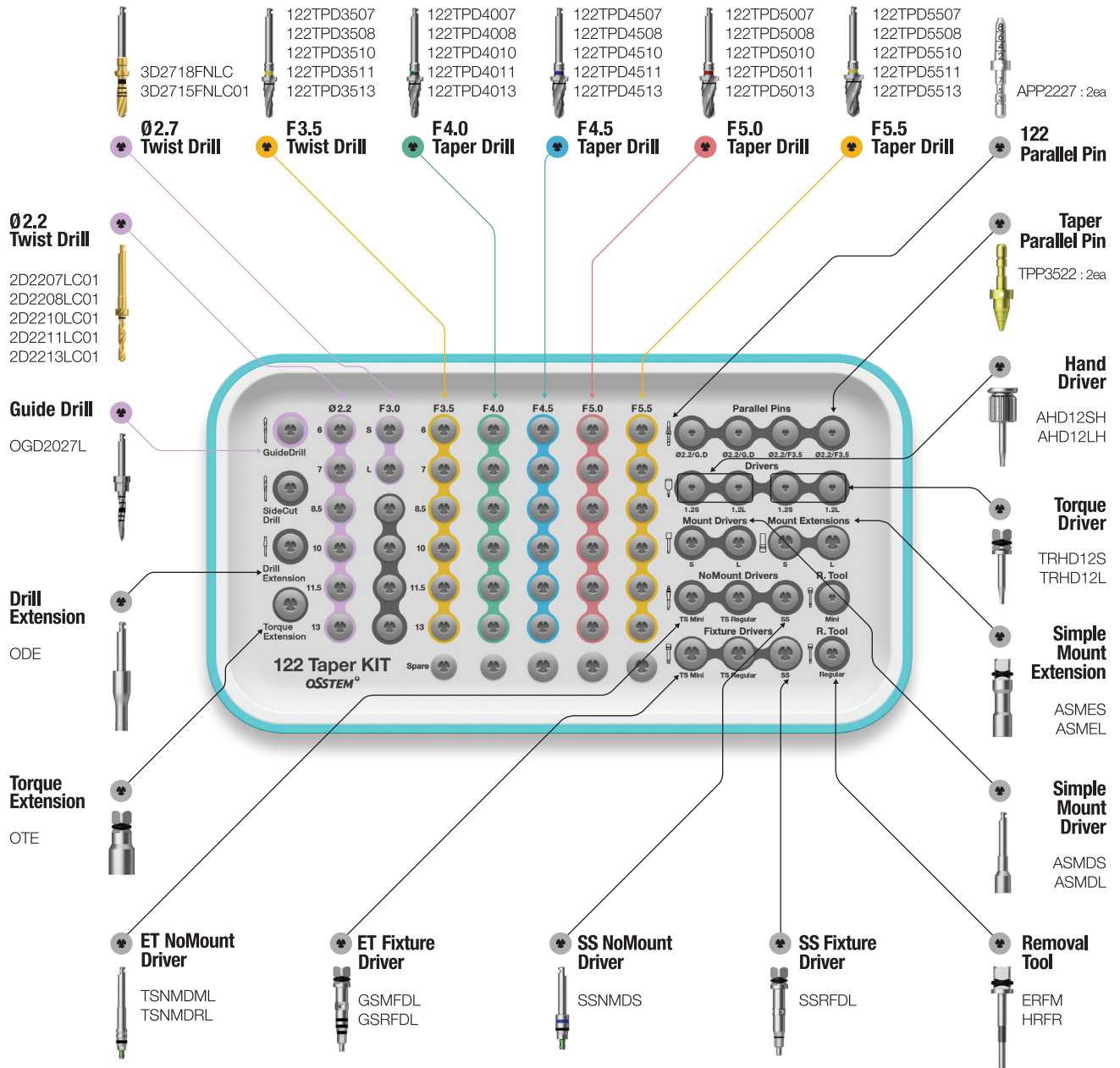


Depth Gauge
OSDG



HIOSSEN KITS

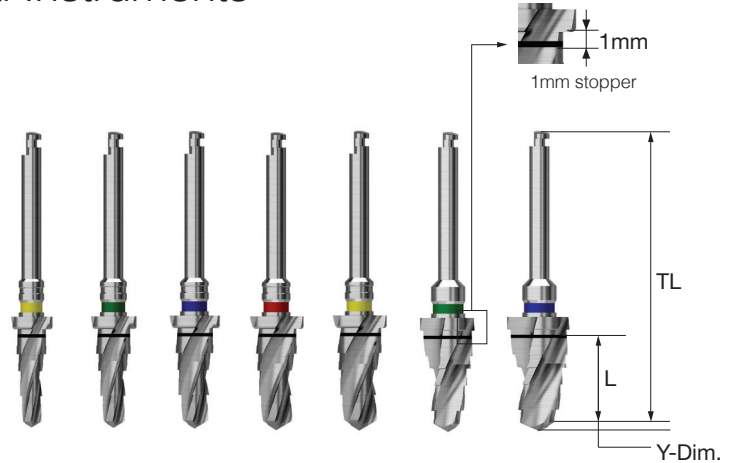
154



122 Taper KIT Surgical Instruments

122 Taper Drill

- Taper drill for Type III fixtures
- Specification by diameter and length
- Color coding displays fixture diameter
- One step large-diameter drill is used
- to remove cortical bone from the hard bone
- 122 Taper Kit single item (excluded from taper KIT)
- F = Fixture

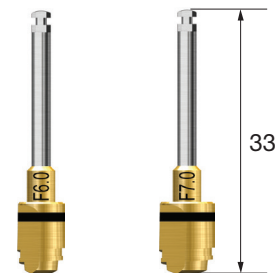


L	TL	F3.5	F4.0	F4.5	F5.0	F5.5	F6.0	F7.0
	Y-Dim.	0.7	0.9	1.0	1.0	1.0	1.0	1.0
4.0	29.5	122TPD3504	122TPD4004	122TPD4504	122TPD5004	122TPD5504	-	-
5.0	29.5	122TPD3505	122TPD4005	122TPD4505	122TPD5005	122TPD5505	-	-
6.0	30.5	122TPD3506	122TPD4006	122TPD4506	122TPD5006	122TPD5506	122TPD6006	122TPD7006
7.0	31.5	122TPD3507	122TPD4007	122TPD4507	122TPD5007	122TPD5507	122TPD6007	122TPD7007
8.5	33	122TPD3508	122TPD4008	122TPD4508	122TPD5008	122TPD5508	122TPD6008	122TPD7008
10	34.5	122TPD3510	122TPD4010	122TPD4510	122TPD5010	122TPD5510	122TPD6010	122TPD7010
11.5	34.5	122TPD3511	122TPD4011	122TPD4511	122TPD5011	122TPD5511	122TPD6011	122TPD7011
13	36	122TPD3513	122TPD4013	122TPD4513	122TPD5013	122TPD5513	122TPD6013	122TPD7013
15	38	122TPD3515	122TPD4015	122TPD4515	122TPD5015	122TPD5515	-	-
Color		Yellow	Green	Blue	Red	Yellow	Green	Blue

Cortical Drill for Ultra-Wide

- Drill is used to remove cortical bone from hard bone (for ultra-wide)
- Dedicated drill by fixture diameter
- It is recommended to drill to the bottom line of the marking line
- F = Fixture

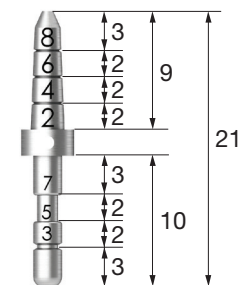
F6.0	F7.0
CD4C60	CD4C70



Parallel Pin for 122 Taper Drill

- Parallel pin for 122 Taper drill
- Used for checking position and direction of bone preparation
- Lower part for 2.2 drill, upper part for guide drill
- 122 Taper Kit single item (excluded from taper KIT)
- Other components same as taper KIT

APP2227

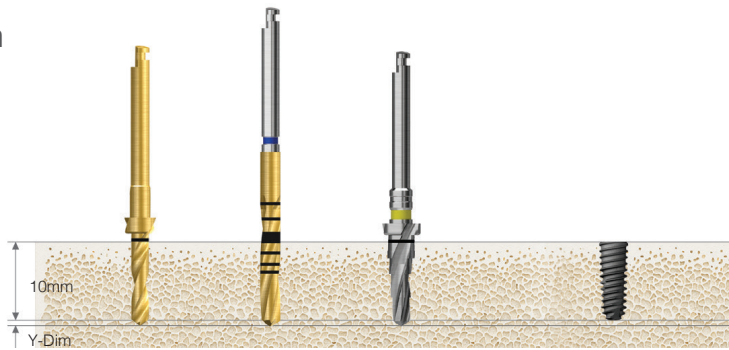


Drilling Sequence 122 Taper Drill

ETIII | SSIII | USIII

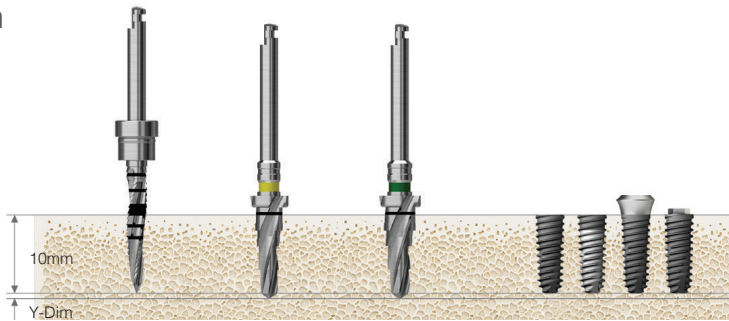
(Length : 10mm)

Ø3.0mm



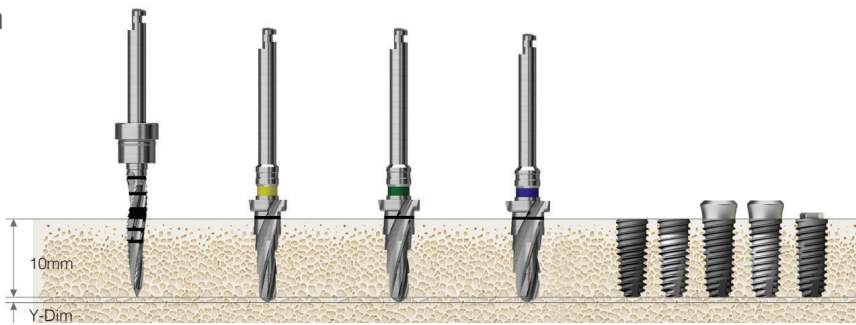
Bone Quality	Ø2.2 Drill	Ø2.7 Drill	F3.5 Taper Drill	Ø3.0 Fixture
Soft	▶			
Normal	▶	▶		Implant Placement
Hard	▶		▶	

Ø3.5mm



Bone Quality	Guide Drill	F3.5 Taper Drill	F4.0 Taper Drill	Ø3.5 Fixture
Soft	▶			
Normal	▶	▶		Implant Placement
Hard	▶	▶	▶	

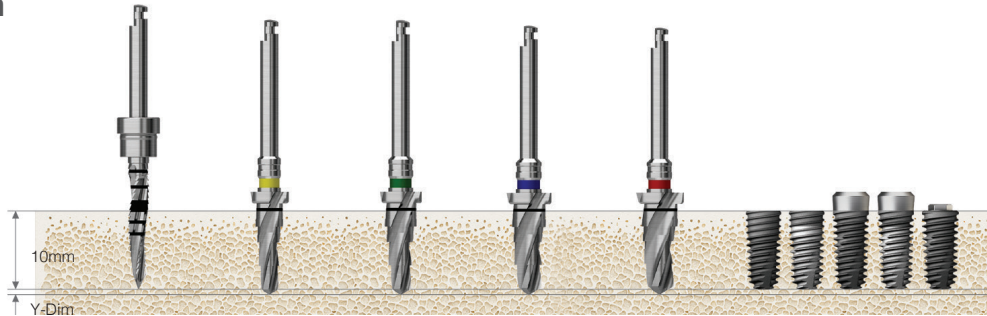
Ø4.0mm



Bone Quality	Guide Drill	F3.5 Taper Drill	F4.0 Taper Drill	F4.5 Taper Drill	Ø4.0 Fixture
Soft	▶	▶			
Normal	▶	▶	▶		Implant Placement
Hard	▶	▶		▶	

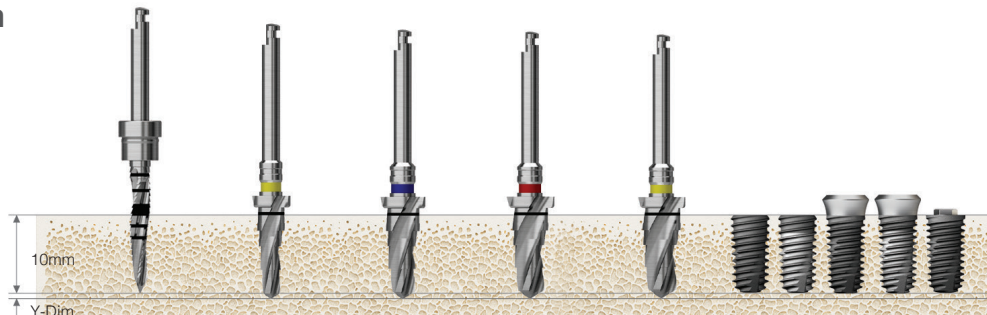
F5.5 taper cortical drill marking line: bottom line 6mm or less, middle line 7mm, top line 8.5mm or more fixture placement standard.
 Recommended insertion torque $\leq 40\text{Ncm}$, for the ETIII/SSIII HA : $\leq 35\text{Ncm}$ (the HA coating can fracture and flake off when placed in hard bone) ET fixture insertion depth in normal/hard bone is placed 1mm deeper than the bone level, and the soft bone is placed at the bone level to maintain the fixed strength.

Ø4.5mm



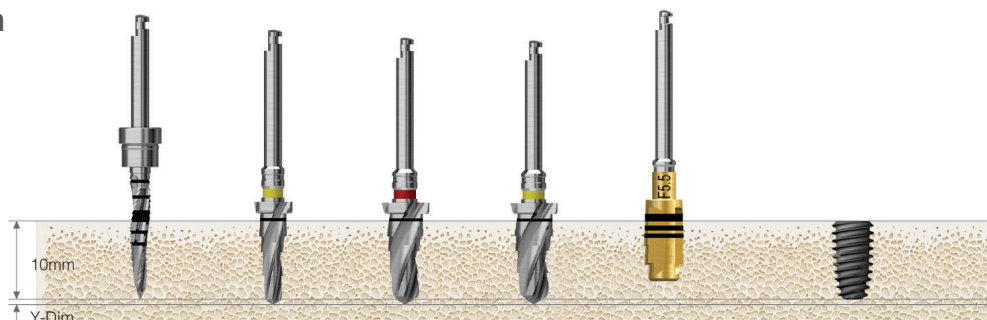
Bone Quality	Guide Drill	F3.5 Taper Drill	F4.0 Taper Drill	F4.5 Taper Drill	F5.0 Taper Drill	Ø4.5 Fixture
Soft	▶		▶			Implant Placement
Normal	▶	▶		▶		
Hard	▶	▶			▶	

Ø5.0mm



Bone Quality	Guide Drill	F3.5 Taper Drill	F4.5 Taper Drill	F5.0 Taper Drill	F5.5 Taper Drill	Ø5.0 Fixture
Soft	▶		▶			Implant Placement
Normal	▶	▶		▶		
Hard	▶	▶			▶	

Ø5.5mm



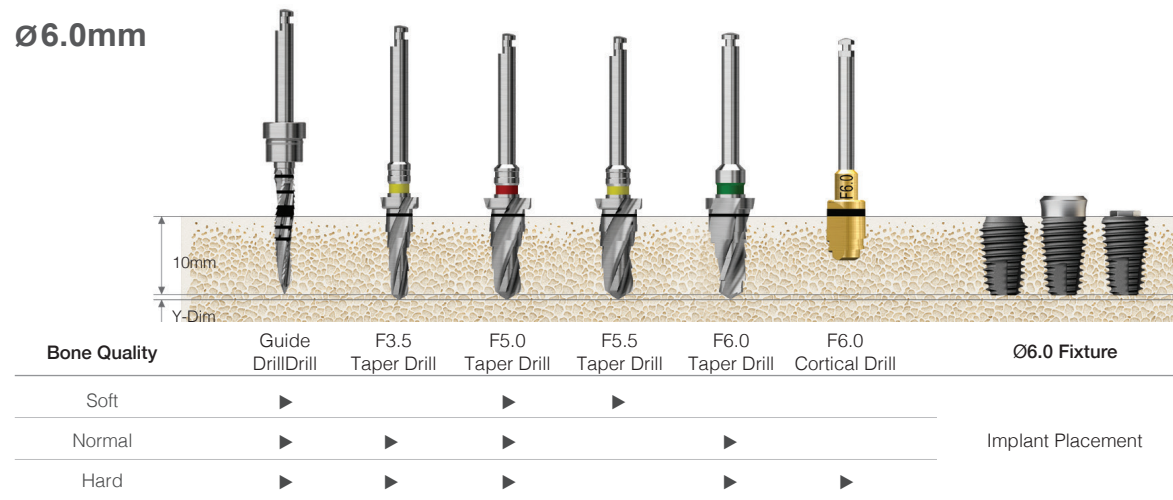
Bone Quality	Guide Drill	F3.5 Taper Drill	F5.0 Taper Drill	F5.5 Taper Drill	F5.5 Taper Cortical Drill	Ø5.5 Fixture
Soft	▶		▶			Implant Placement
Normal	▶	▶		▶		
Hard	▶	▶		▶	▶	

Drilling Sequence 122 Taper Drill

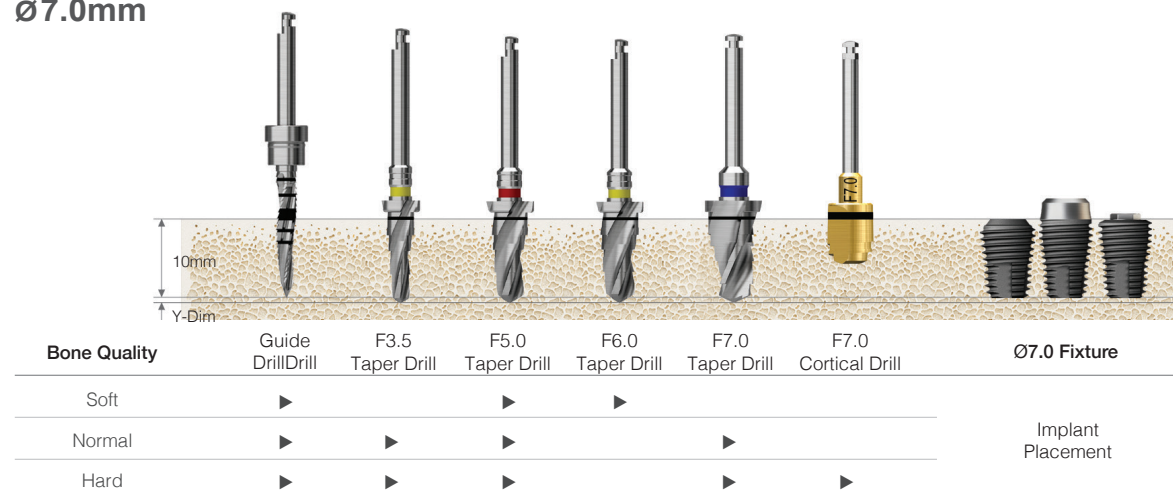
ETIII Ultra-wide | SSIII Ultra-wide | USIII Ultra-wide

(Length : 10mm)

Ø6.0mm



Ø7.0mm



F5.5 taper cortical drill marking line: bottom line 6mm or less, middle line 7mm, top line 8.5mm or more fixture placement standard Recommended placement torque less than 40Ncm, ETIII/SSIII HA : less than 35Ncm (In hard bone, HA coating layer cracking and peeling can occur).

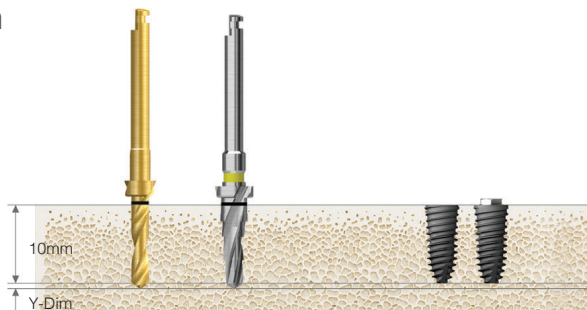
ET fixture placement depth The normal bone is placed 1mm deeper than the bone level, and the soft bone is placed at the bone level to maintain the fixed strength.

Drilling Sequence 122 Taper Drill

ETIV | USIV

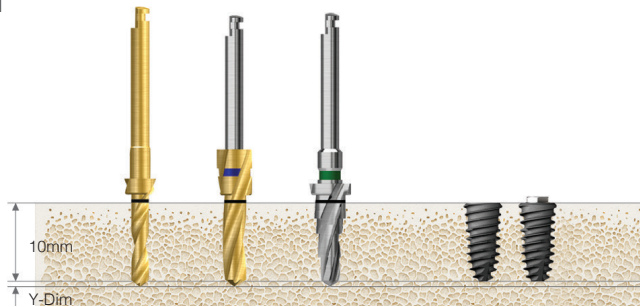
(Length : 10mm)

Ø4.0mm



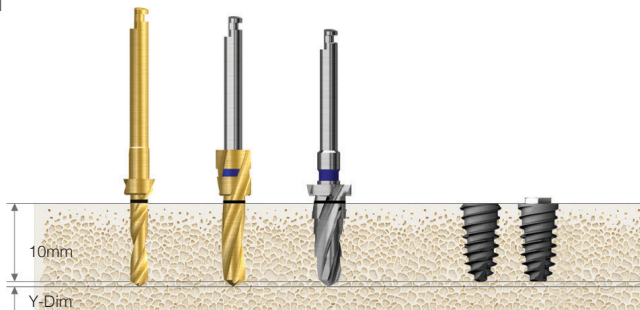
Bone Quality	Ø2.2 Drill	F3.5 Taper Drill	Ø4.0 Fixture
D4	▶		Implant Placement
Soft	▶	▶	

Ø4.5mm



Bone Quality	Ø2.2 Drill	Ø3.0 Drill	F4.0 Taper Drill	Ø4.5 Fixture
D4		▶		Implant Placement
Soft	▶		▶	

Ø5.0mm



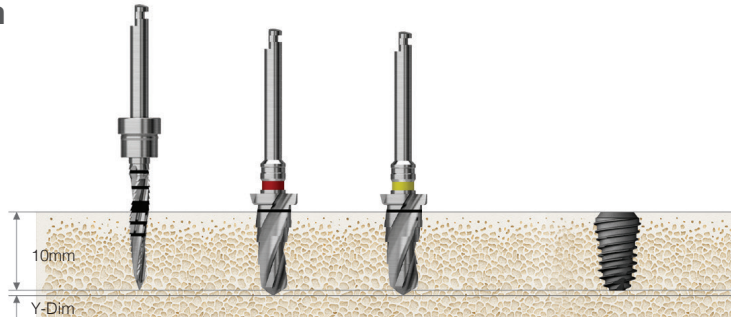
Bone Quality	Ø2.2 Drill	Ø3.0 Drill	F4.5 Taper Drill	Ø5.0 Fixture
D4		▶		Implant Placement
Soft	▶		▶	

Drilling Sequence 122 Taper Drill

ETIV Ultra-wide

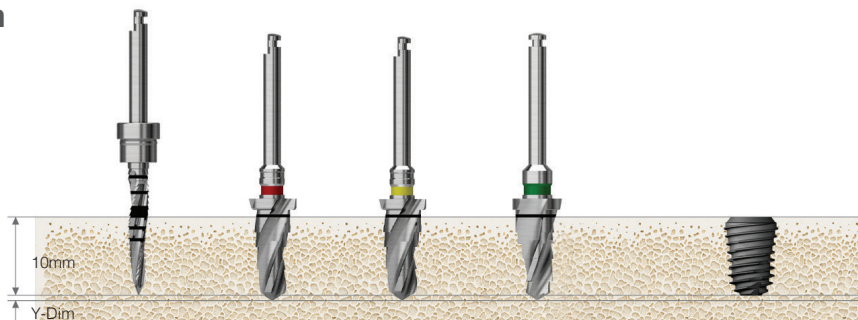
(Length : 10mm)

Ø6.0mm



Bone Quality	Guide Drill	F5.0 Taper Drill	F5.5 Taper Drill	Ø6.0 Fixture
D4	▶	▶		Implant Placement
Soft	▶	▶	▶	

Ø7.0mm



Bone Quality	Guide Drill	F5.0 Taper Drill	F5.5 Taper Drill	F6.0 Taper Drill	Ø7.0 Fixture
D4	▶	▶	▶		Implant Placement
Soft	▶	▶	▶	▶	

F5.5 taper cortical drill marking line: bottom line 6mm or less, middle line 7mm, top line 8.5mm or more fixture placement standard
 Recommended placement torque less than 40Ncm, ETIII/SSIII HA : less than 35Ncm (In hard bone, HA coating layer cracking and peeling can occur).

ET fixture placement depth The normal bone is placed 1mm deeper than the bone level, and the soft bone is placed at the bone level to maintain the fixed strength.

HIOSSSEN[®]
I M P L A N T

Taper KIT (HTAPEK)

For

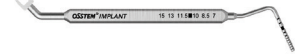
- ETIII/IV
- SSIII
- USIII / IV

Top panel components

Torque Wrench
TW30B

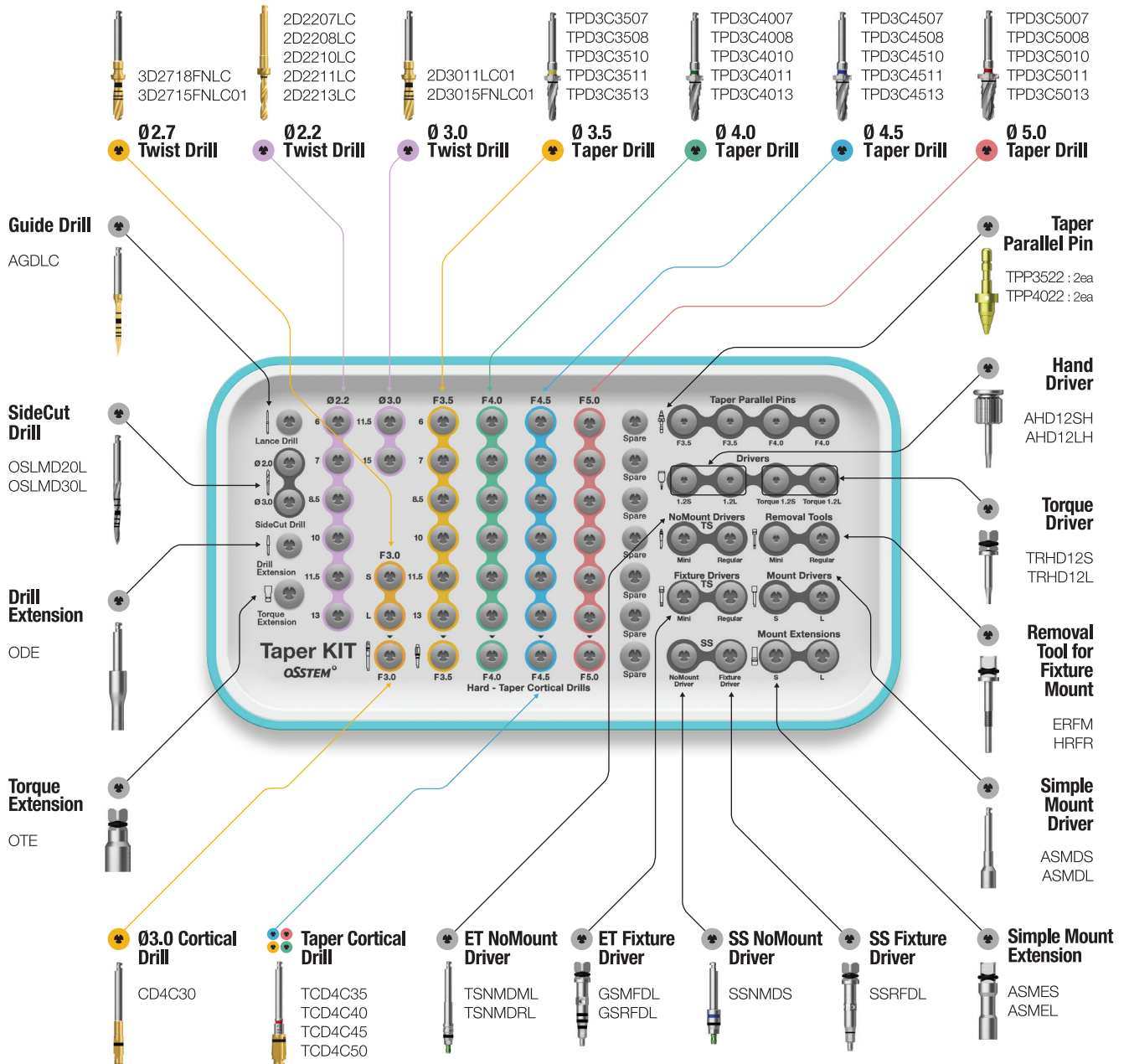


Depth Gauge
OSDG



HIOSSEN KITS

162



Taper Ultra KIT (HULTPK)

For

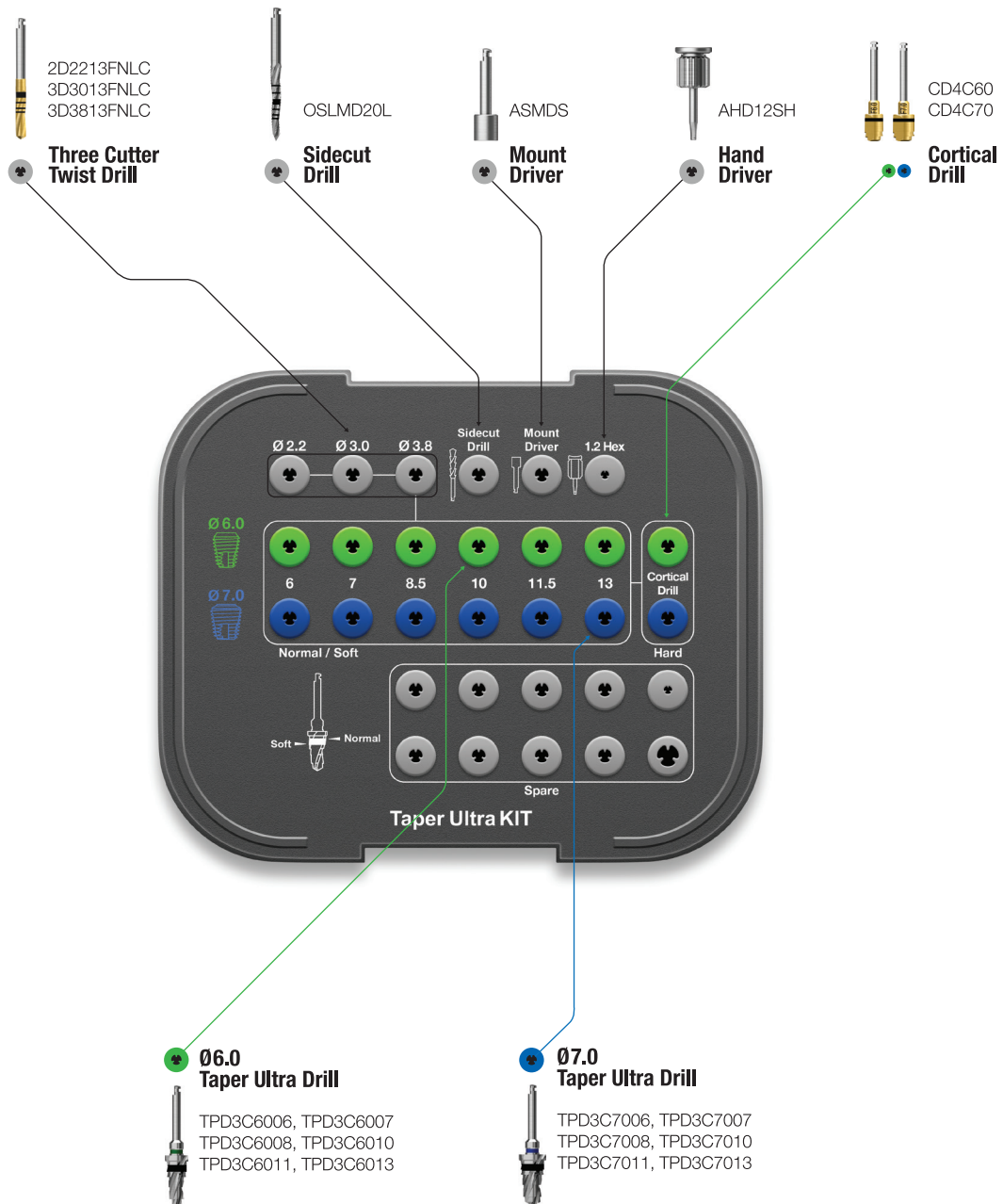
Ultra-wide

Top panel components

Open Wrench
SPOW



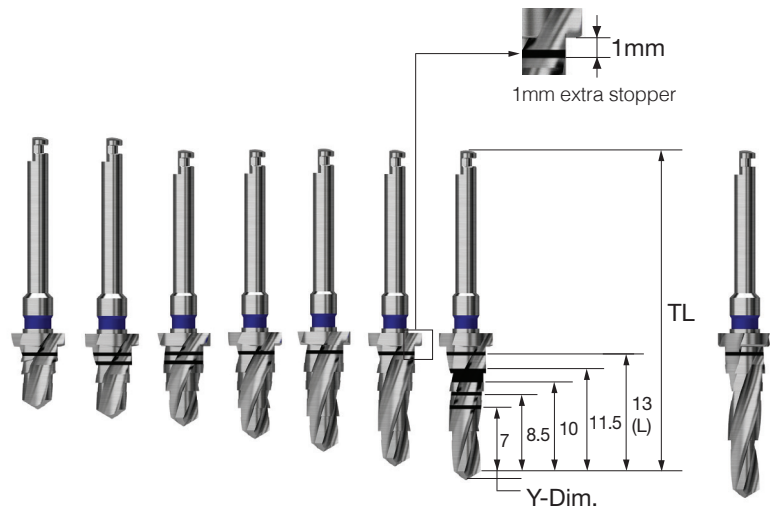
Ratchet Wrench
RCWC



Taper KIT Surgical Instruments

Taper Drill

- Taper drill for taper(III type) fixture by diameter and length
- Stopper drill with 1mm space
- Color coding displays fixture diameter
- F3.5 : yellow, F4.0 : green, F4.5 : blue, F5.0 : red, F5.5 : yellow
- Taper KIT single item (excluded from 122 Taper Kit)



L	TL	F3.5	F4.0	F4.5	F5.0	F5.5
	Y-Dim.	0.8	0.9	1.0	1.0	1.0
5.0	29.5	TPD3C3505	TPD3C4005	TPD3C4505	TPD3C5005	-
6.0	30.5	TPD3C3506	TPD3C4006	TPD3C4506	TPD3C5006	TPD3C5506
7.0	31.5	TPD3C3507	TPD3C4007	TPD3C4507	TPD3C5007	TPD3C5507
8.5	33	TPD3C3508	TPD3C4008	TPD3C4508	TPD3C5008	TPD3C5508
10	34.5	TPD3C3510	TPD3C4010	TPD3C4510	TPD3C5010	TPD3C5510
11.5	34.5	TPD3C3511	TPD3C4011	TPD3C4511	TPD3C5011	TPD3C5511
13	36	TPD3C3513	TPD3C4013	TPD3C4513	TPD3C5013	TPD3C5513
15	38	TPD3C3515	TPD3C4015	TPD3C4515	TPD3C5015	TPD3C5515
Color		Yellow	Green	Blue	Red	Yellow

Taper Cortical Drill for Taper Fixture (ETIII, SSIII, USIII)

- Drill is used to remove cortical bone at hard bone (Use immediately after taper drill)
- Dedicated drill for each fixture diameter
- F3.5~5.0 drill marking line : bottom line 8.5mm or less, top line 10mm or more fixture placement standard
- F5.5 drill marking line : bottom line 6mm or less, middle line 7mm, top line 8.5mm or more fixture placement standard
- It is recommended to drill to the bottom of the marking line
- Taper KIT single item (excluded from 122 Taper Kit)
- F = Fixture



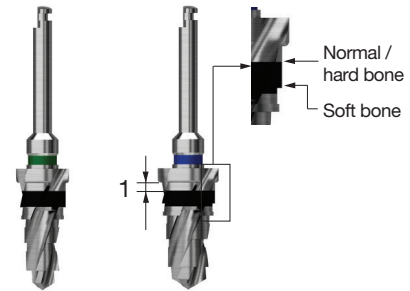
F3.5 F4.0 F4.5 F5.0 F5.5

TCD4C35 TCD4C40 TCD4C45 TCD4C50 TCD4C55

Taper Ultra Drill

- Taper drill for taper ultra-wide fixture by diameter and length
- Stopper drill with 1mm space
- Color coding displays fixture diameter
- F = Fixture

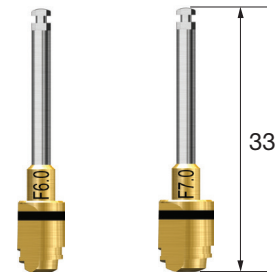
L	F6.0	F7.0
6	TPD3C6006	TPD3C7006
7	TPD3C6007	TPD3C7007
8.5	TPD3C6008	TPD3C7008
10	TPD3C6010	TPD3C7010
11.5	TPD3C6011	TPD3C7011
13	TPD3C6013	TPD3C7013
Color	Green	Blue



Cortical Drill for Ultra-Wide

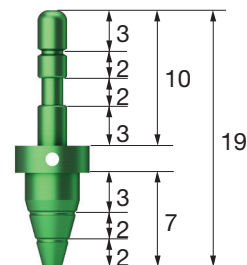
- Drill used to remove cortical bone at hard bone (for ultra-wide)
- Dedicated drill for each fixture diameter
- It is recommended to drill to the bottom of the marking line
- F = Fixture

F6.0	F7.0
CD4C60	CD4C70



Parallel Pin for Taper Drill

- Parallel pin for taper drill
- Used for checking position and direction of bone preparation
- The lower part is for fixture diameter drill and the upper part is for initial drill
- Color coding by fixture diameter
(F3.5 : yellow, F4.0 : green, F4.5 : blue, F5.0 : silver)
- 122 Taper & Taper KIT common components

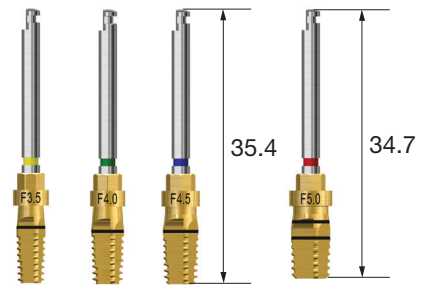


F3.5	F4.0	F4.5	F5.0
TPP3522	TPP4022	TPP4522	TPP5022

Taper KIT Surgical Instruments

Tapered Fixture Tap for ETIII, USIII, SSIII

- Tap for tapered fixture (III type)
- Used in hard bone and forming fixture screw thread
- Engine (25rpm recommended) or torque wrench after mount extension fastening
- Taping to the bottom of the marking line is recommended.
- (for F5.0, the bottom line below 7.0mm fixture and the upper line over 8.5mm fixture placement standard)
- F = Fixture



F3.5	F4.0	F4.5	F5.0
OFTS35	OFTS40	OFTS45	OFTS50

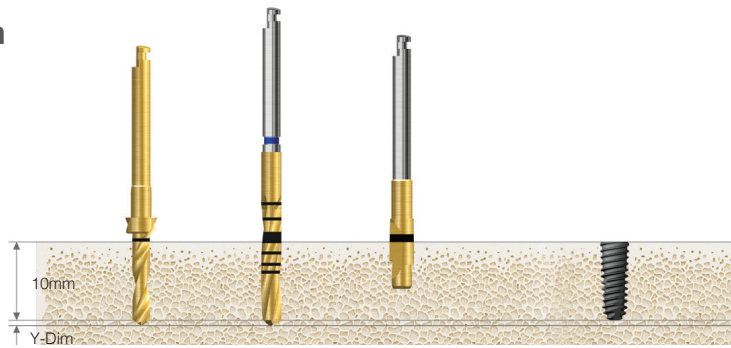
HIOSSSEN[®]
I M P L A N T

Drilling Sequence Taper Drill

ETIII | SSIII | USIII

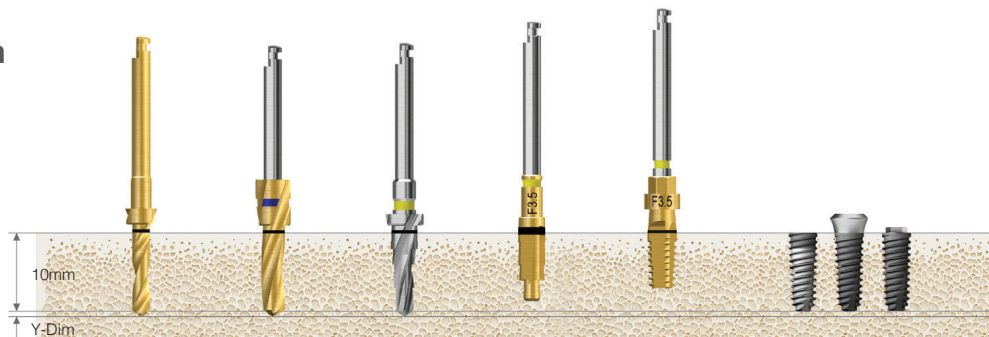
(Length : 10mm)

Ø3.0mm



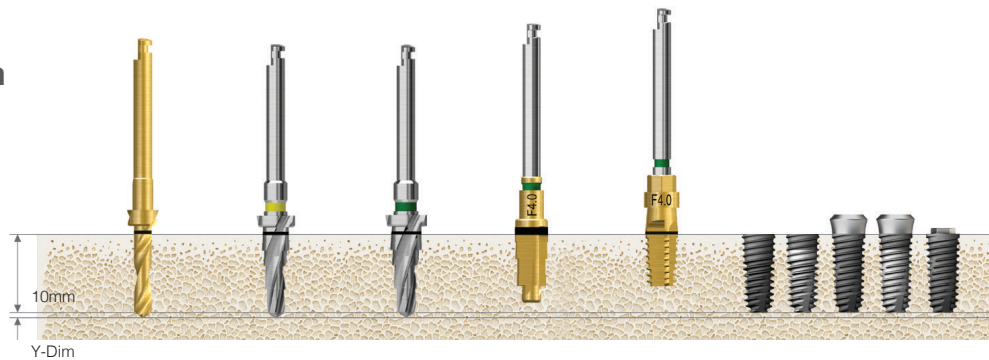
Bone Quality	Ø2.2 Drill	Ø2.7 Drill	F3.0 Cortical Drill	Ø3.0 Fixture
Soft	▶			
Normal	▶	▶		Implant Placement
Hard	▶	▶	▶	

Ø3.5mm



Bone Quality	Ø2.2 Drill	Ø3.0 Drill	F3.5 Taper Drill	F3.5 Taper Cortical Drill	F3.5 Taper Fixture Tap	Ø3.5 Fixture
Soft	▶	▶				
Normal	▶		▶			Implant Placement
Hard	▶		▶	▶		
Hard (Option)	▶		▶		▶	

Ø4.0mm



Bone Quality	Ø2.2 Drill	F3.5 Taper Drill	F4.0 Taper Drill	F4.0 Taper Cortical Drill	F4.0 Taper Fixture Tap	Ø4.0 Fixture
Soft	▶	▶				
Normal	▶	▶	▶			Implant Placement
Hard	▶	▶	▶	▶		
Hard (Option)	▶	▶	▶		▶	

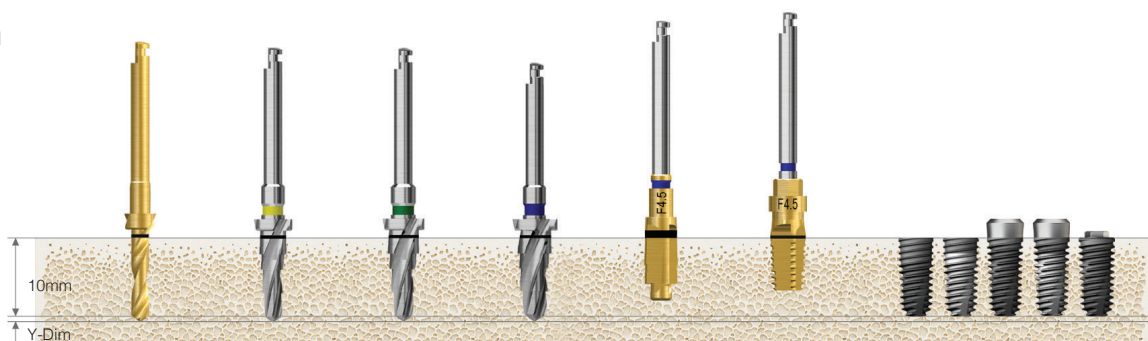
Taper cortical drill marking line: bottom line 8.5mm or more, top line 10mm or more fixture placement standard

Recommended placement torque less than 40Ncm, ETIII/SSIII HA : less than 35Ncm (In hard bone, HA coating layer cracking and peeling can occur).

ET fixture placement depth The normal bone is placed 1mm deeper than bone level, and the soft bone is placed at the bone level to maintain the fixed strength.

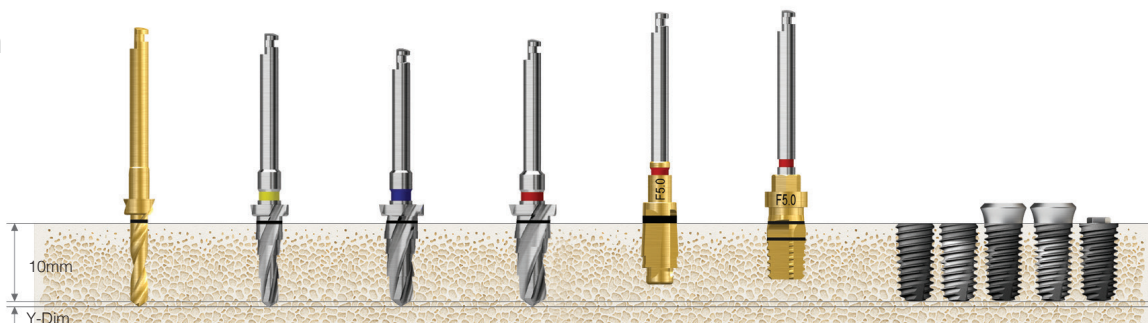
Fixture tap used in hard bone : engine (25rpm recommended) or torque wrench after mount extension fastening (F5.0 fixture tap : bottom line 7mm or less, top line 8.5mm or more fixture placement standard).

Ø4.5mm



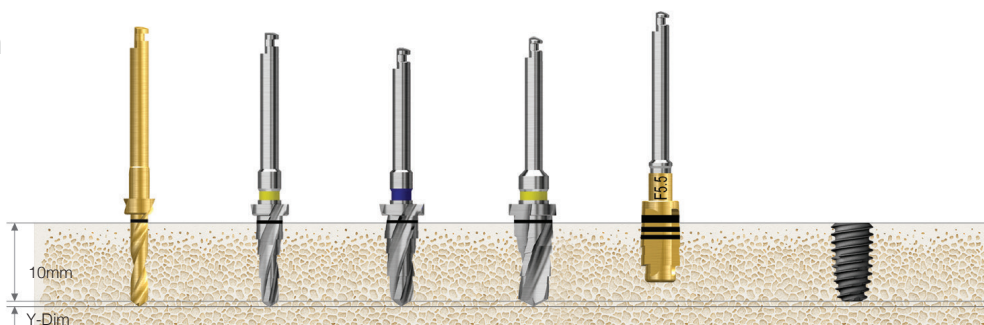
Bone Quality	Ø2.2 Drill	F3.5 Taper Drill	F4.0 Taper Drill	F4.5 Taper Drill	F4.5 Taper Cortical Drill	F4.5 Taper Fixture Tap	Ø4.5 Fixture
Soft	▶	▶	▶				Implant Placement
Normal	▶	▶		▶			
Hard	▶	▶		▶	▶		
Hard (Option)	▶	▶		▶		▶	

Ø5.0mm



Bone Quality	Ø2.2 Drill	F3.5 Taper Drill	F4.5 Taper Drill	F5.0 Taper Drill	F5.0 Taper Cortical Drill	F5.0 Taper Fixture Tap	Ø5.0 Fixture
Soft	▶	▶	▶				Implant Placement
Normal	▶	▶	▶	▶			
Hard	▶	▶	▶	▶	▶		
Hard (Option)	▶	▶	▶	▶		▶	

Ø5.5mm



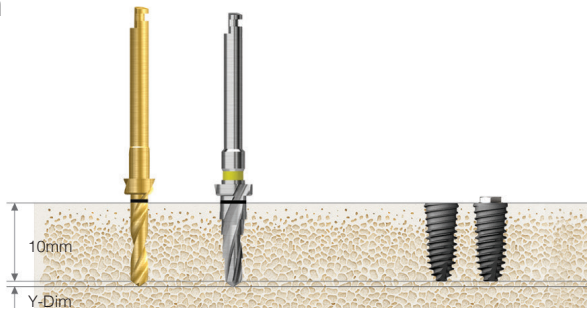
Bone Quality	Ø2.2 Drill	F3.5 Taper Drill	F4.5 Taper Drill	F5.5 Taper Drill	F5.5 Taper Fixture Tap	Ø5.5 Fixture
Soft	▶	▶	▶			Implant Placement
Normal	▶	▶	▶	▶		
Hard	▶	▶	▶	▶	▶	

Drilling Sequence Taper Drill

ETIV

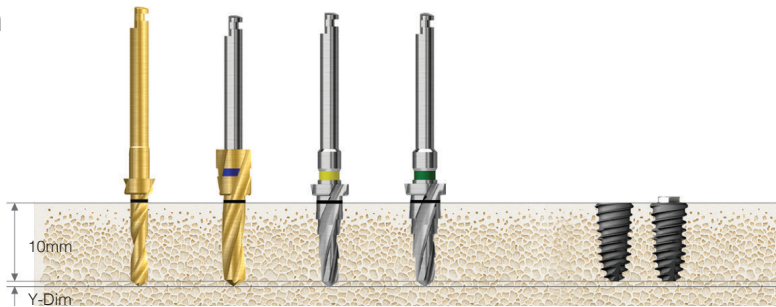
(Length : 10mm)

Ø4.0mm



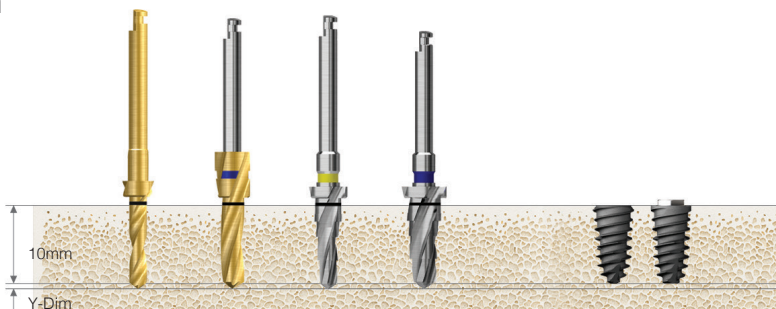
Bone Quality	Ø2.2 Drill	F3.5 Taper Drill	Ø4.0 Fixture
D4	▶		Implant Placement
Soft	▶	▶	

Ø4.5mm



Bone Quality	Ø2.2 Drill	Ø3.0 Drill	F3.5 Taper Drill	F4.0 Taper Drill	Ø4.5 Fixture
D4		▶			Implant Placement
Soft	▶		▶	▶	

Ø5.0mm



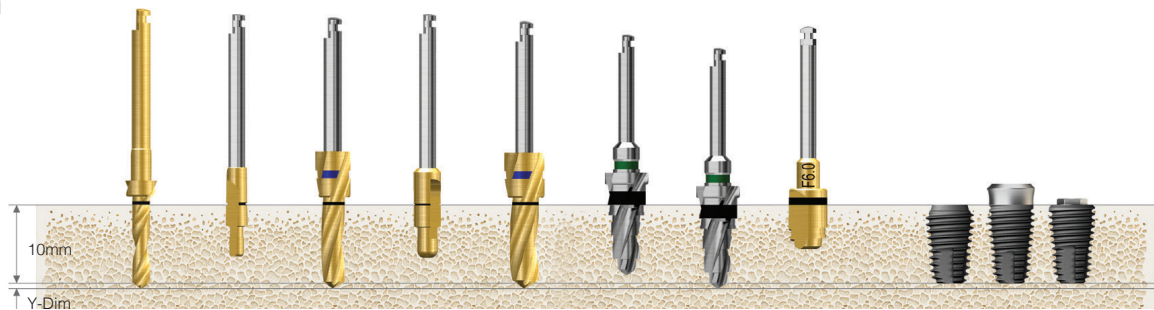
Bone Quality	Ø2.2 Drill	Ø3.0 Drill	F3.5 Taper Drill	F4.5 Taper Drill	Ø5.0 Fixture
D4		▶			Implant Placement
Soft	▶		▶	▶	

Drilling Sequence Taper Drill

ETIII Ultra-wide

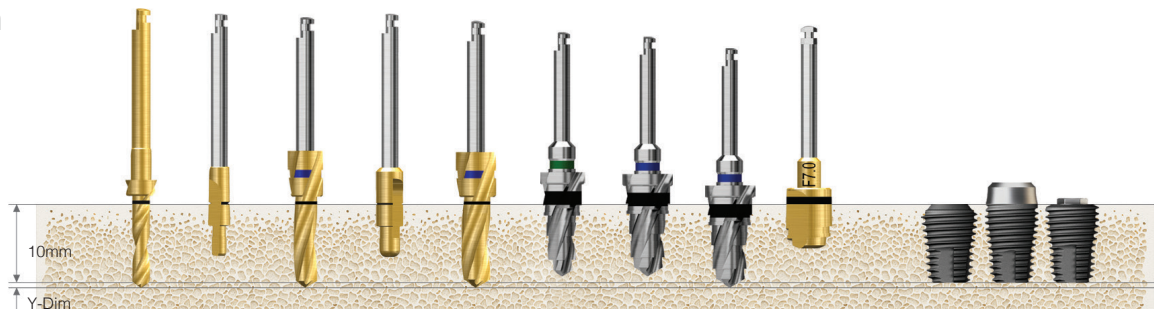
(Length : 10mm)

Ø6.0mm



Bone Quality	Ø2.2 Drill	Ø2.0/3.0 Pilot Drill	Ø3.0 Drill	Ø3.0/3.8 Pilot Drill	Ø3.8 Drill	F6.0 Taper Drill	F6.0 Taper Drill	F6.0 Cortical Drill	Ø6.0 Fixture
Soft	▶	▶	▶	▶		▶			Implant Placement
Normal	▶	▶	▶	▶	▶		▶		
Hard	▶	▶	▶	▶	▶		▶	▶	

Ø7.0mm



Bone Quality	Ø2.2 Drill	Ø2.0/3.0 Pilot Drill	Ø3.0 Drill	Ø3.0/3.8 Pilot Drill	Ø3.8 Drill	F6.0 Taper Drill	F7.0 Taper Drill	F7.0 Taper Drill	F7.0 Cortical Drill	Ø7.0 Fixture
Soft	▶	▶	▶	▶		▶	▶			Implant Placement
Normal	▶	▶	▶	▶	▶	▶		▶		
Hard	▶	▶	▶	▶	▶	▶		▶	▶	

Recommended placement torque less than 40Ncm.

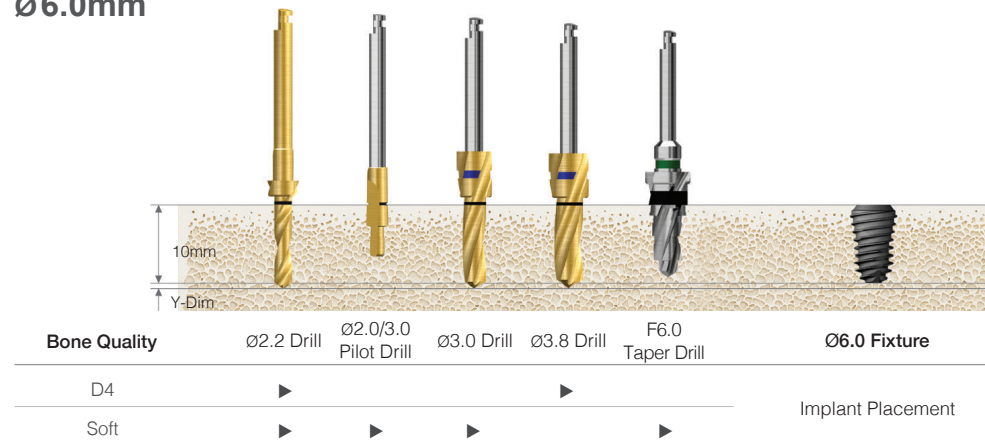
ES fixture placement depth. The normal/hard bone is placed 1mm deeper than bone level, and the soft bone is placed at the bone level to maintain the fixed strength.

Drilling Sequence Taper Drill

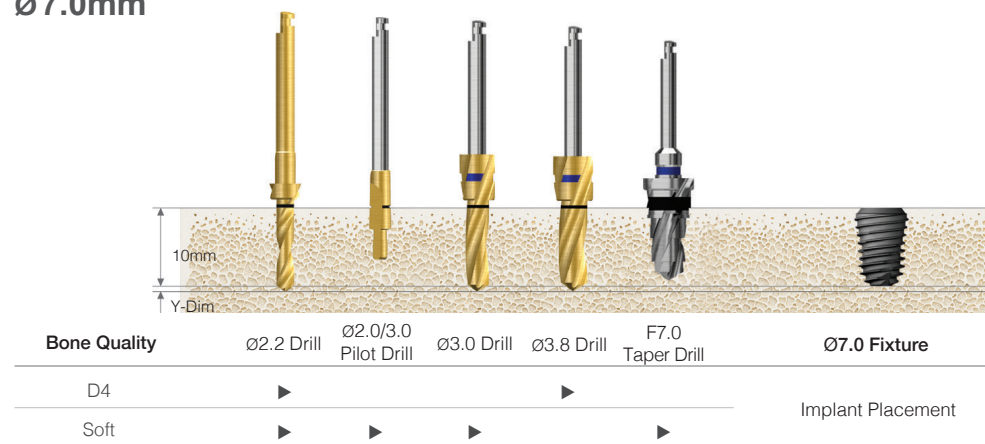
ETIV Ultra-wide

(Length : 10mm)

Ø6.0mm



Ø7.0mm



Recommended placement torque less than 40Ncm.

ET fixture placement depth. The normal/hard bone is placed 1mm deeper than bone level, and the soft bone is placed at the bone level to maintain the fixed strength.



Ultra KIT (HULTRK)

For

Ultra-wide

Lower panel components

Open Wrench
SPOW

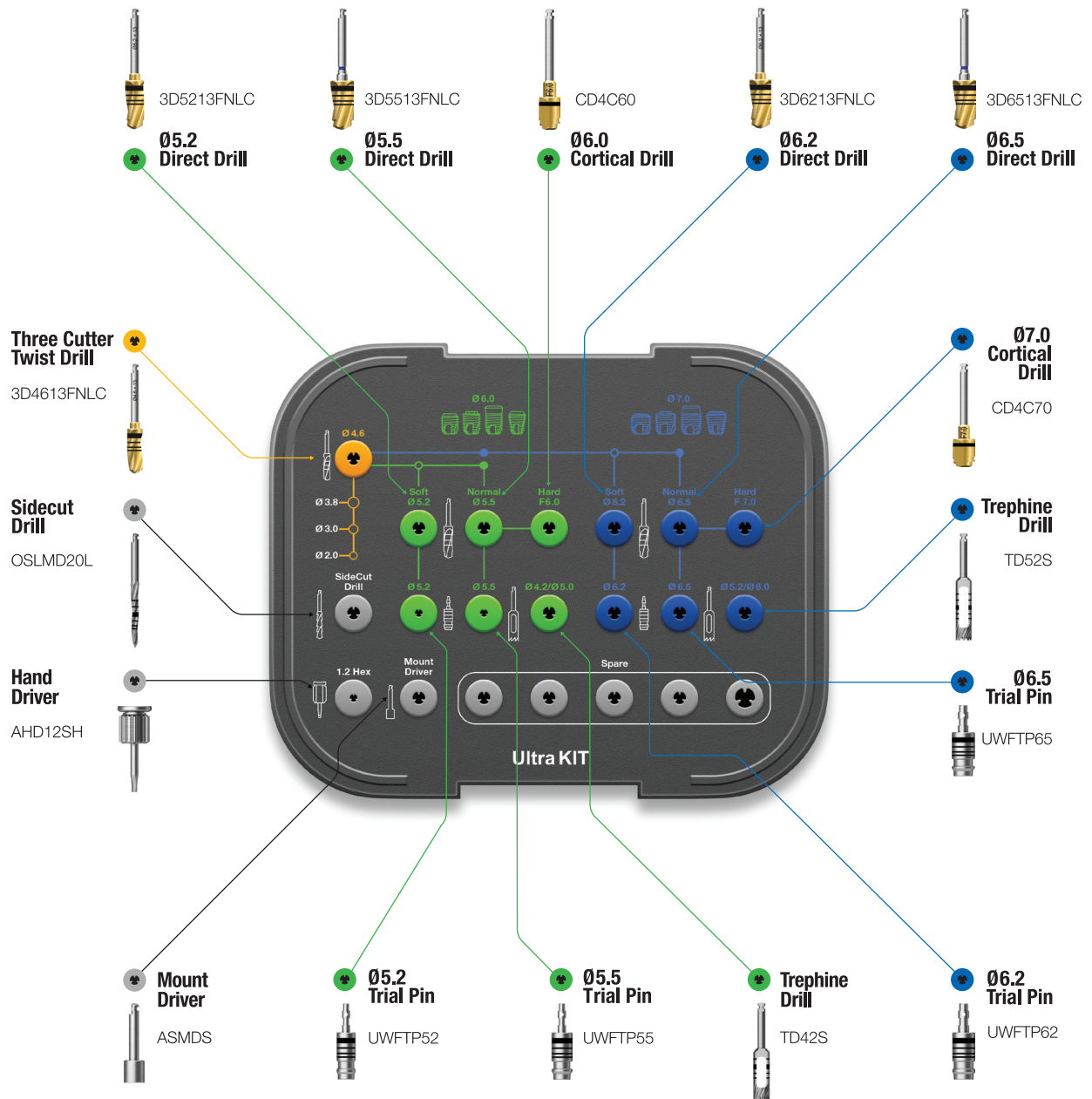


Ratchet Wrench
RCWC



HIOSSEN KITS

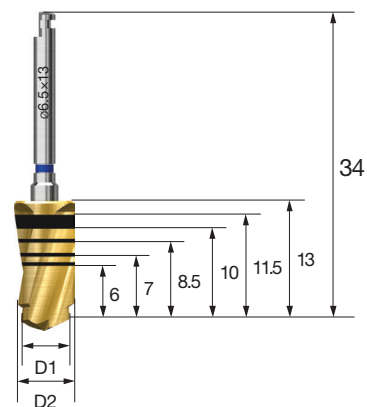
174



Ultra KIT Surgical Instruments

Direct Drill

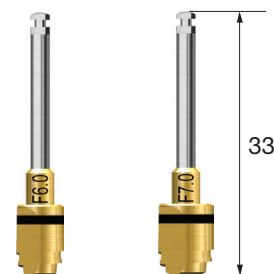
- Direct drill : two-step drill that functions like a pilot and twist drill
- Final drilling is possible without using pilot drill
- Increases initial stability in an extraction socket due to the reduced dead space at the apex



D1 / D2	Ø4.6 / 5.2	Ø4.6 / 5.5	Ø5.5 / 6.2	Ø5.5 / 6.5
	3D5213FNLC	3D5513FNLC	3D6213FNLC	3D6513FNLC

Cortical Drill for Ultra-wide

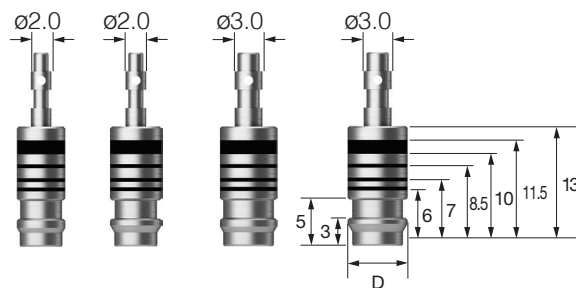
- Trims cortical bone in hard bone cases (for ultra-wide type fixtures)
- Drill specifically designed for ultra-wide fixture's unique diameter
- Drilling recommended until the bottom of the marker has been reached
- F = Fixture



F6.0	F7.0
CD4C60	CD4C70

Trial Pin for Ultra-wide

- Measures the width and depth of a failed implant site
- Measures the drilling depth after using the direct drill as the final drill
- Also serves as a parallel pin



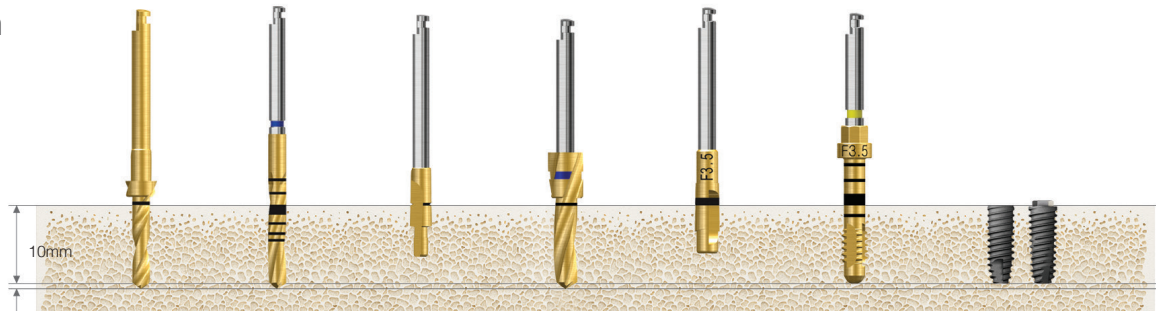
D	Ø5.2	Ø5.5	Ø6.2	Ø6.5
	UWFTP52	UWFTP55	UWFTP62	UWFTP65

Drilling Sequence II Type Straight Drill

ETII | SSII | USII

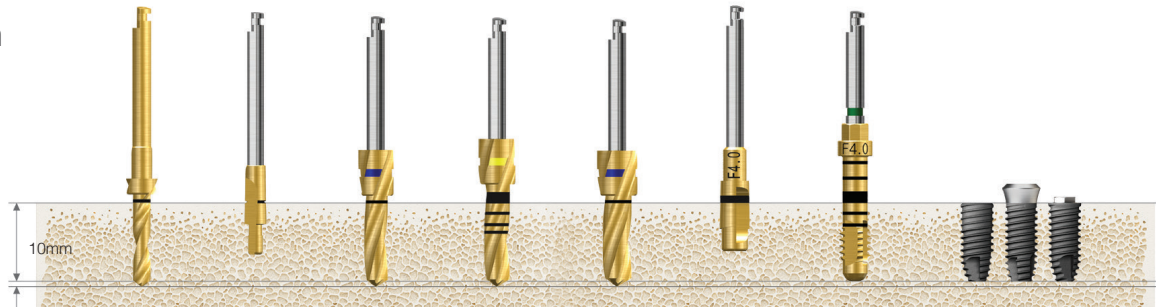
(Length : 10mm)

Ø3.5mm



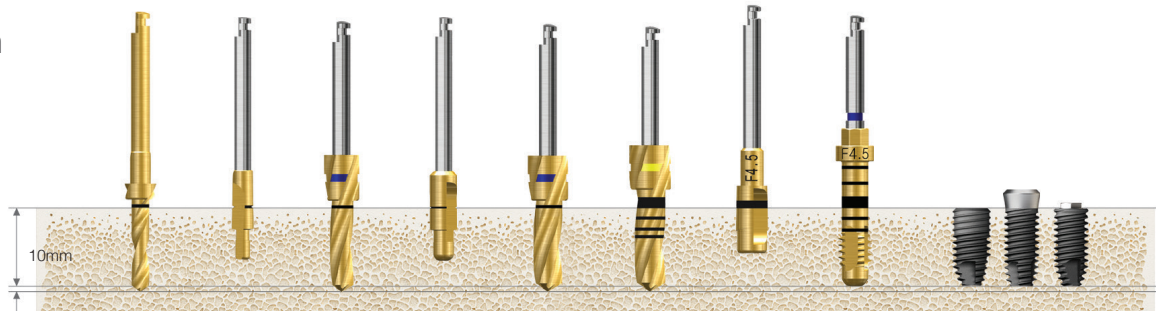
Bone Quality	Ø2.2 Drill	Ø2.7 Drill	Ø2.0/3.0 Pilot Drill	Ø3.0 Drill	F3.5 Cortical Drill	F3.5 Straight Fixture Tap	Ø3.5 Fixture
Soft	▶	▶					
Normal	▶		▶	▶			Implant Placement
Hard	▶		▶	▶	▶		
Hard (Option)	▶		▶	▶		▶	

Ø4.0mm



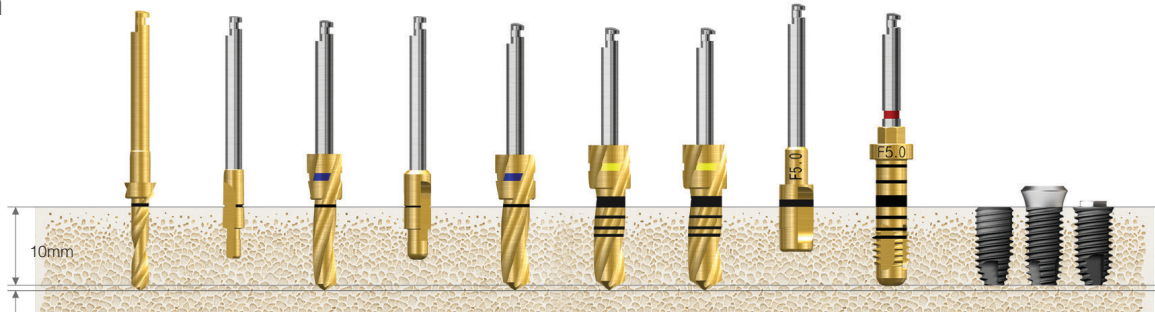
Bone Quality	Ø2.2 Drill	Ø2.0/3.0 Pilot Drill	Ø3.0 Drill	Ø3.3 Drill	Ø3.8 Drill	F4.0 Cortical Drill	F4.0 Straight Fixture Tap	Ø4.0 Fixture
Soft	▶	▶	▶	▶				
Normal	▶	▶	▶		▶			Implant Placement
Hard	▶	▶	▶		▶	▶		
Hard (Option)	▶	▶	▶		▶		▶	

Ø4.5mm



Bone Quality	Ø2.2 Drill	Ø2.0/3.0 Pilot Drill	Ø3.0 Drill	Ø3.0/3.8 Pilot Drill	Ø3.8 Drill	Ø4.1 Drill	F4.5 Cortical Drill	F4.5 Straight Fixture Tap	Ø4.5 Fixture
Soft	▶	▶	▶	▶	▶				
Normal	▶	▶	▶	▶	▶	▶			Implant Placement
Hard	▶	▶	▶	▶	▶	▶	▶		
Hard (Option)	▶	▶	▶	▶	▶	▶		▶	

Ø5.0mm



Bone Quality	Ø2.2 Drill	Ø2.0/3.0 Pilot Drill	Ø3.0 Drill	Ø3.0/3.8 Pilot Drill	Ø3.8 Drill	Ø4.3 Drill	Ø4.6 Drill	F5.0 Cortical Drill	F5.0 Straight Fixture Tap	Ø5.0 Fixture
Soft	▶	▶	▶	▶	▶	▶				
Normal	▶	▶	▶	▶	▶		▶			
Hard	▶	▶	▶	▶	▶		▶	▶		
Hard (Option)	▶	▶	▶	▶	▶		▶		▶	

Implant Placement

Recommended insertion torque ≤40Ncm.

ET fixture insertion depth in normal/hard bone is placed 1mm deeper than the bone level, and the soft bone is placed at the bone level to maintain the fixed strength.

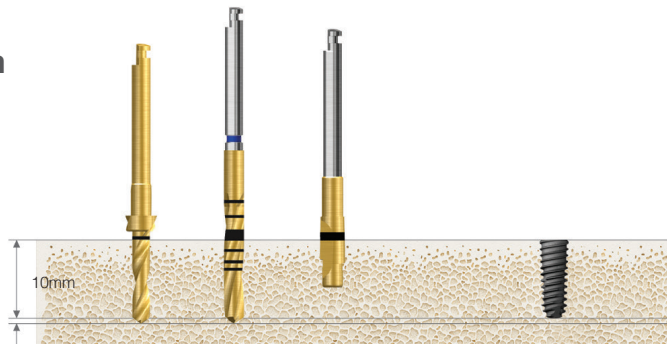
In hard bone, recommended speed is 25rpm or use of torque wrench with mount extension

Drilling Sequence III Type Straight Drill

ETIII | SSIII | USIII

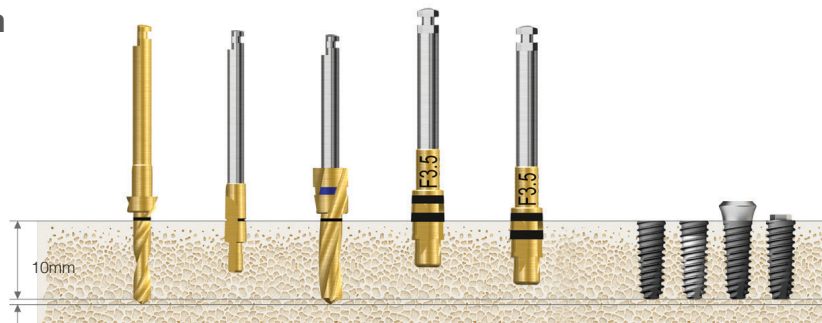
(Length : 10mm)

Ø3.0mm



Bone Quality	Ø2.2 Drill	Ø2.7 Drill	F3.0 Cortical Drill 2	Ø3.0 Fixture
Soft	▶			
Normal	▶	▶		Implant Placement
Hard	▶	▶	▶	

Ø3.5mm



Bone Quality	Ø2.2 Drill	Ø2.0/3.0 Pilot Drill	Ø3.0 Drill	F3.5 Cortical Drill 3	F3.5 Cortical Drill 3	Ø3.5 Fixture
Soft	▶	▶	▶			
Normal	▶	▶	▶	▶		Implant Placement
Hard	▶	▶	▶		▶	

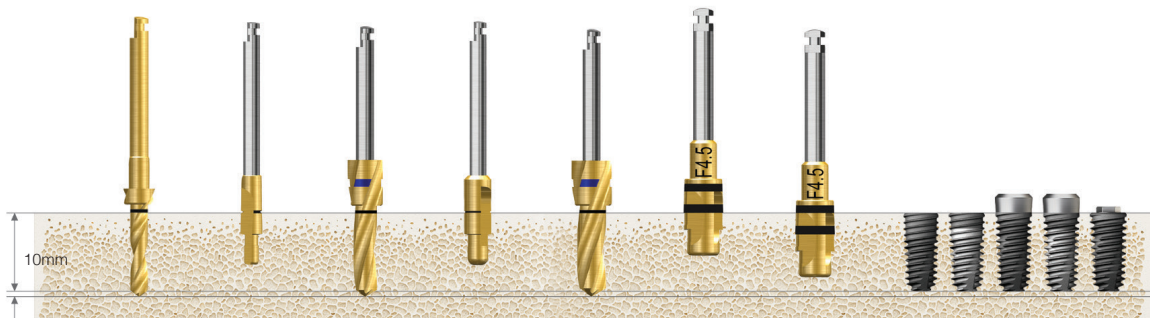
Ø4.0mm



Bone Quality	Ø2.2 Drill	Ø2.0/3.0 Pilot Drill	Ø3.0 Drill	Ø3.3 Drill	F4.0 Cortical Drill 3	F4.0 Cortical Drill 3	Ø4.0 Fixture
Soft	▶	▶	▶	▶			
Normal	▶	▶	▶	▶	▶		Implant Placement
Hard	▶	▶	▶	▶		▶	

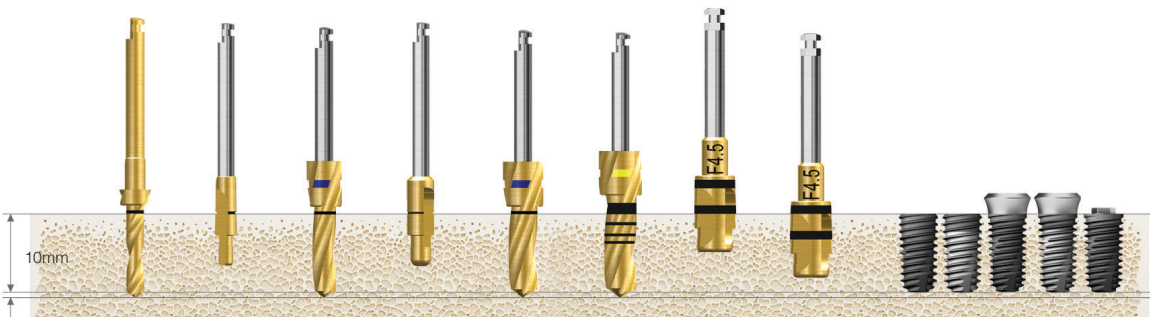
Recommended insertion torque $\leq 40\text{Ncm}$, for the ETIII/SSIII HA : $\leq 35\text{Ncm}$ (the HA coating can fracture and flake off when placed in hard bone)
 ET fixture insertion depth in normal/hard bone is placed 1mm deeper than the bone level, and the soft bone is placed at the bone level to maintain the fixed strength.

Ø4.5mm



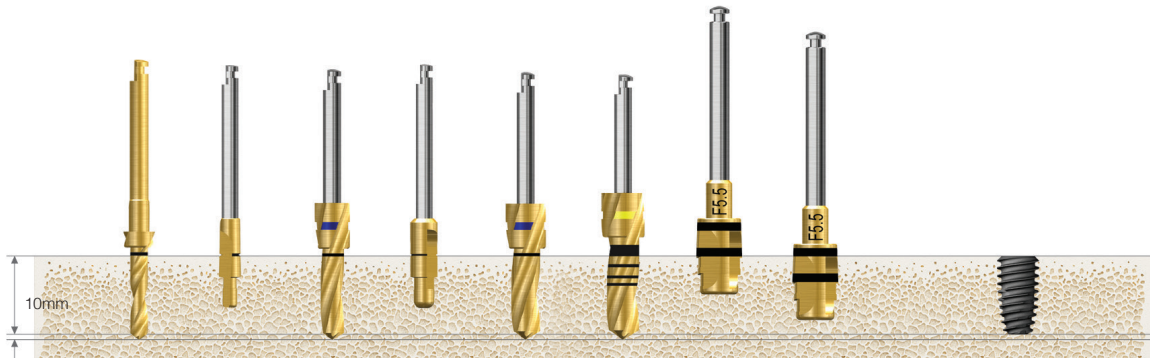
Bone Quality	Ø2.2 Drill	Ø2.0/3.0 Pilot Drill	Ø3.0 Drill	Ø3.0/3.8 Pilot Drill	Ø3.8 Drill	F4.5 Cortical Drill 3	F4.5 Cortical Drill 3	Ø4.5 Fixture
Soft	▶	▶	▶	▶	▶			Implant Placement
Normal	▶	▶	▶	▶	▶	▶		
Hard	▶	▶	▶	▶	▶		▶	

Ø5.0mm



Bone Quality	Ø2.2 Drill	Ø2.0/3.0 Pilot Drill	Ø3.0 Drill	Ø3.0/3.8 Pilot Drill	Ø3.8 Drill	Ø4.3 Drill	F5.0 Cortical Drill 3	F5.0 Cortical Drill 3	Ø5.0 Fixture
Soft	▶	▶	▶	▶	▶				Implant Placement
Normal	▶	▶	▶	▶	▶	▶	▶		
Hard	▶	▶	▶	▶	▶	▶		▶	

Ø5.5mm



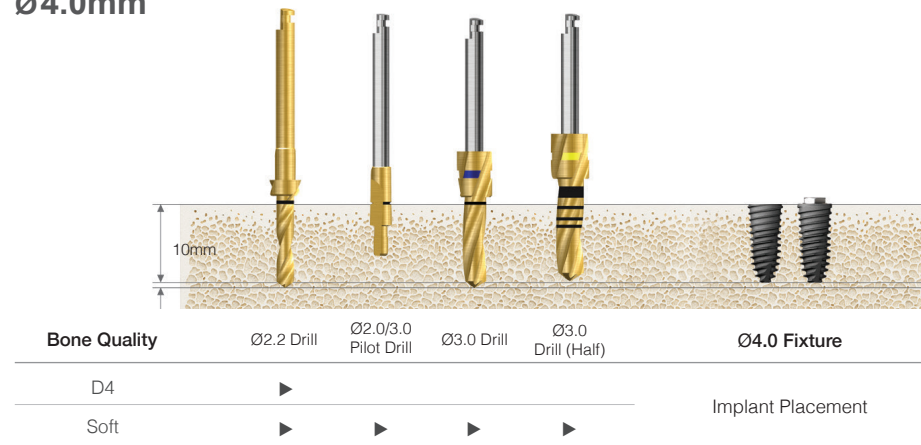
Bone Quality	Ø2.2 Drill	Ø2.0/3.0 Pilot Drill	Ø3.0 Drill	Ø3.0/3.8 Pilot Drill	Ø3.8 Drill	Ø4.6 Drill	F5.5 Cortical Drill 3	F5.5 Cortical Drill 3	Ø5.5 Fixture
Soft	▶	▶	▶	▶	▶	▶			Implant Placement
Normal	▶	▶	▶	▶	▶	▶	▶		
Hard	▶	▶	▶	▶	▶	▶		▶	

Drilling Sequence IV Type Straight Drill

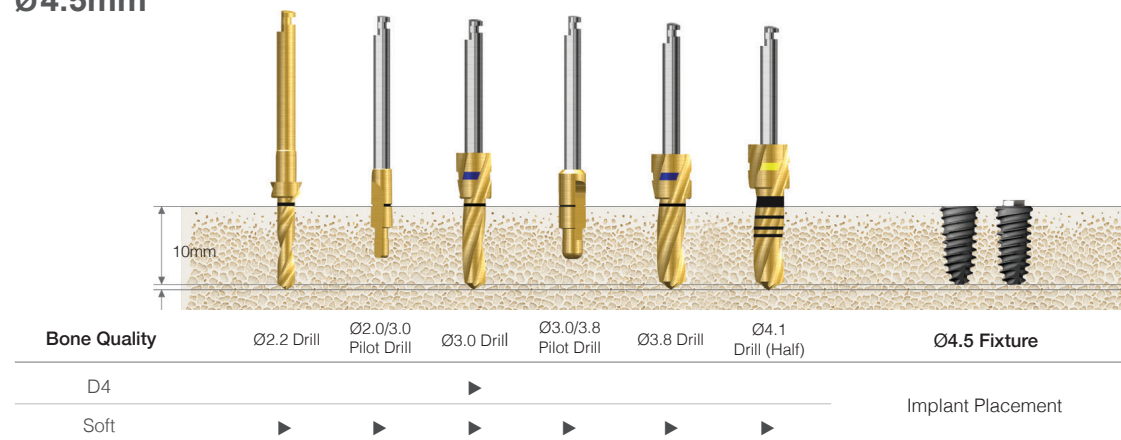
ETIV

(Length : 10mm)

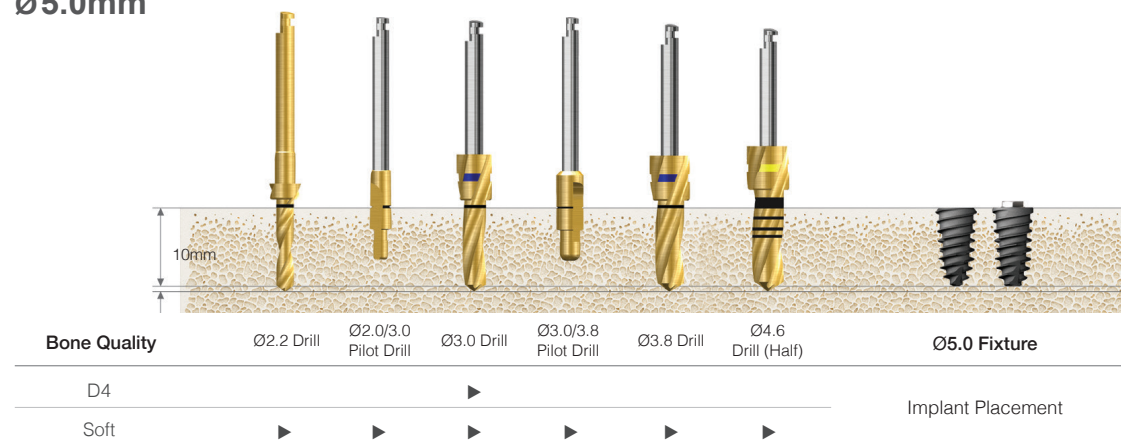
Ø4.0mm



Ø4.5mm



Ø5.0mm

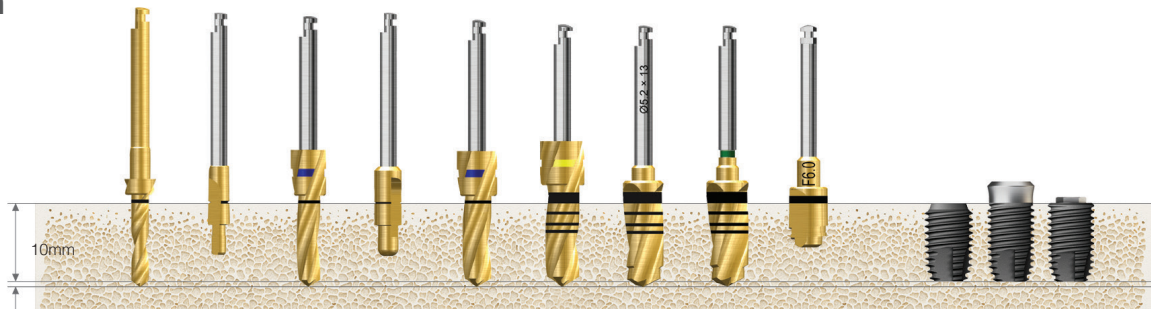


Drilling Sequence Ultra-wide Straight Drill

SSII Ultra-wide USII Ultra-wide

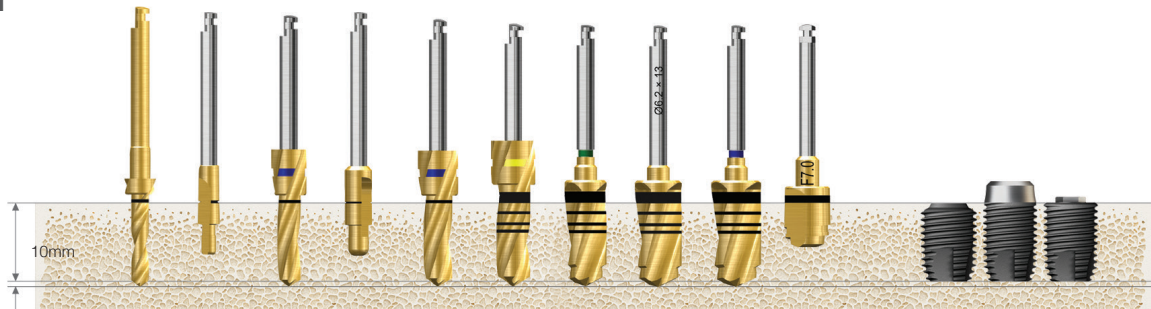
(Length : 10mm)

Ø6.0mm



Bone Quality	Ø2.2 Drill	Ø2.0/3.0 Pilot Drill	Ø3.0 Drill	Ø3.0/3.8 Pilot Drill	Ø3.8 Drill	Ø4.6 Drill	Ø5.2 Direct Drill	Ø5.5 Direct Drill	F6.0 Cortical Drill	Ø6.0 Fixture
Soft	▶	▶	▶	▶	▶	▶	▶			
Normal	▶	▶	▶	▶	▶	▶		▶		Implant Placement
Hard	▶	▶	▶	▶	▶	▶		▶	▶	

Ø7.0mm



Bone Quality	Ø2.2 Drill	Ø2.0/3.0 Pilot Drill	Ø3.0 Drill	Ø3.0/3.8 Pilot Drill	Ø3.8 Drill	Ø4.6 Drill	Ø5.5 Direct Drill	Ø6.2 Direct Drill	Ø6.5 Direct Drill	F7.0 Cortical Drill	Ø7.0 Fixture
Soft	▶	▶	▶	▶	▶	▶	▶	▶			
Normal	▶	▶	▶	▶	▶	▶	▶		▶		Implant Placement
Hard	▶	▶	▶	▶	▶	▶	▶		▶	▶	

Recommended insertion torque ≤40Ncm.

ETIV/USIV system is designed specifically for the maxillary sinus and soft bone. It is not recommended in the normal bone or harder.

Recommend reducing the insertion speed to 15rpm or lower, due to the aggressive threads of ETIV/USIV

Drilling Sequence **Ultra-wide** Straight Drill

SSII Ultra-wide | **USII Ultra-wide**

(Length : 10mm)

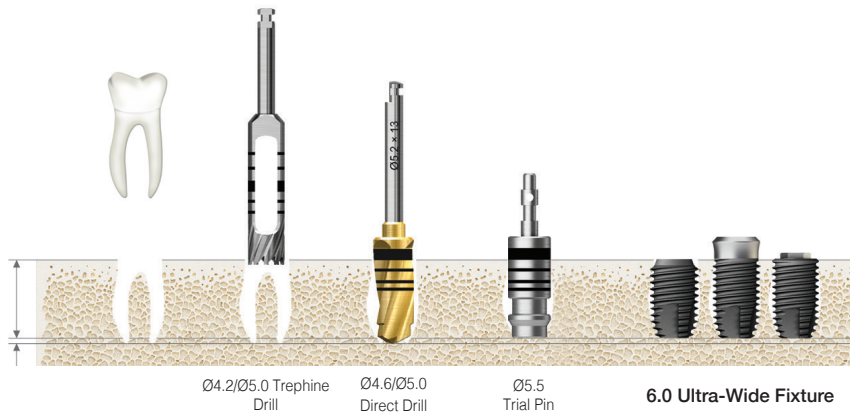
Ø6.0mm

Drilling sequence with trephine in the healed mature bone

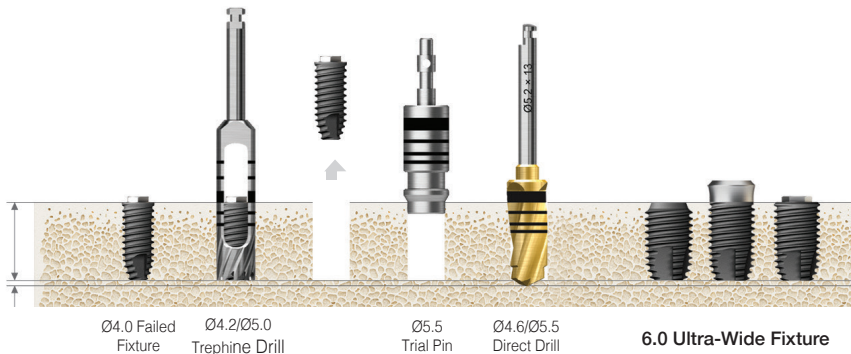


Bone Quality	Ø4.2/5.0 Trephine Drill	Ø4.6/5.2 Direct Drill	Ø4.6/5.5 Direct Drill	F6.0 Cortical Drill	Ø6.0 Fixture
Soft	▶	▶			Implant Placement
Normal	▶		▶		
Hard	▶		▶	▶	

Immediate placement at the extraction socket



Immediate replacement of the failed implant

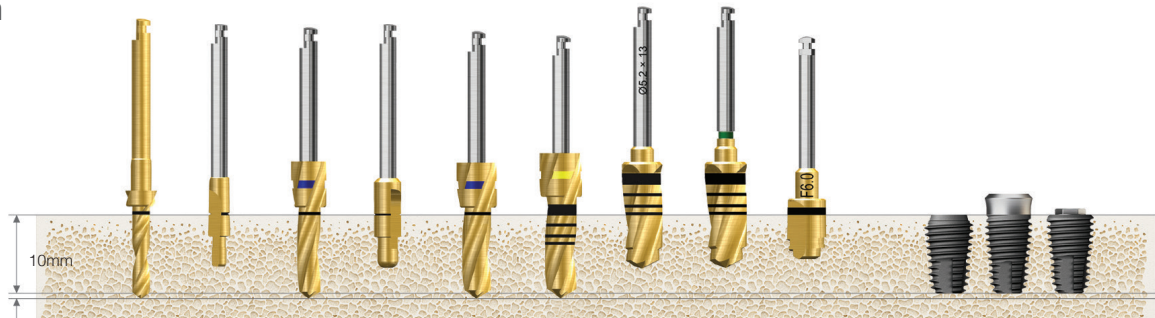


Drilling Sequence Ultra-wide Straight Drill

ETIII Ultra-wide | SSIII Ultra-wide | USIII Ultra-wide

(Length : 10mm)

Ø6.0mm



Bone Quality	Ø2.2 Drill	Ø2.0/3.0 Pilot Drill	Ø3.0 Drill	Ø3.0/3.8 Pilot Drill	Ø3.8 Drill	Ø4.6 Drill	Ø5.2 Direct drill	Ø5.5 Direct drill	F6.0 Cortical Drill	Ø6.0 Fixture
Soft	▶	▶	▶	▶	▶	▶	▶			
Normal	▶	▶	▶	▶	▶	▶		▶		Implant Placement
Hard	▶	▶	▶	▶	▶	▶		▶	▶	

Ø7.0mm



Bone Quality	Ø2.2 Drill	Ø2.0/3.0 Pilot Drill	Ø3.0 Drill	Ø3.0/3.8 Pilot Drill	Ø3.8 Drill	Ø4.6 Drill	Ø5.5 Direct drill	Ø6.2 Direct drill	Ø6.5 Direct drill	F7.0 Cortical Drill	Ø7.0 Fixture
Soft	▶	▶	▶	▶	▶	▶	▶	▶			
Normal	▶	▶	▶	▶	▶	▶	▶		▶		Implant Placement
Hard	▶	▶	▶	▶	▶	▶	▶		▶	▶	

Recommended insertion torque ≤40Ncm.

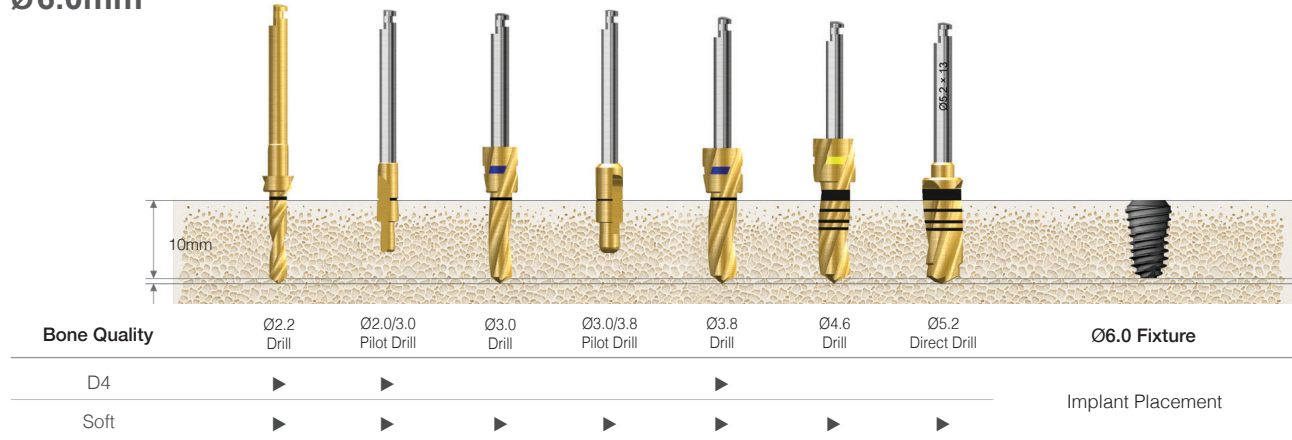
ET fixture insertion depth in normal/hard bone is placed 1mm deeper than the bone level, and the soft bone is placed at the bone level to maintain the fixed strength.

Drilling Sequence Ultra-wide Straight Drill

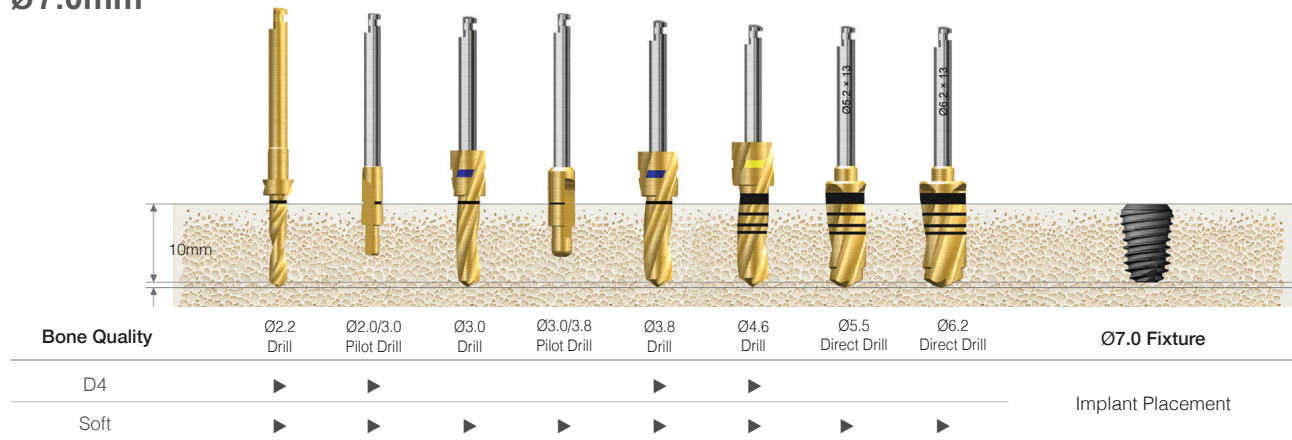
ETIV Ultra-wide

(Length : 10mm)

Ø6.0mm



Ø7.0mm



HIOSSSEN[®]
I M P L A N T

Parallel Guide Full KIT (OPGAK)

Lower panel component

Multi Joint Handle Option
MJH



L-Wrench Option
LWC20H



Denture Guide Option
PGODA



GD2208NC
GD2213FNC

Guide Drill



SGB050 SGB080
SGB060 SGB090
SGB070 SGB100

Single Guide

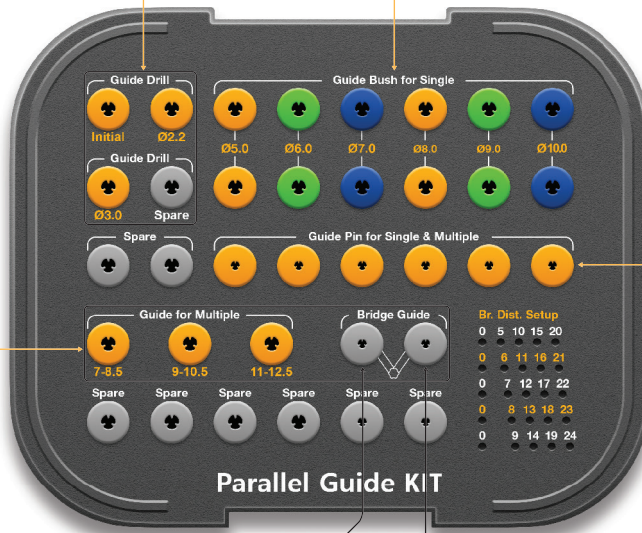
Bridge Guide (Fan Type)

PGBRA070
PGBRA090
PGBRA110



Guide Pin

PGSP22



Parallel Guide KIT

Bridge Guide (Compass Type)

PGBPA



Distance Setup Pin

PGDSP



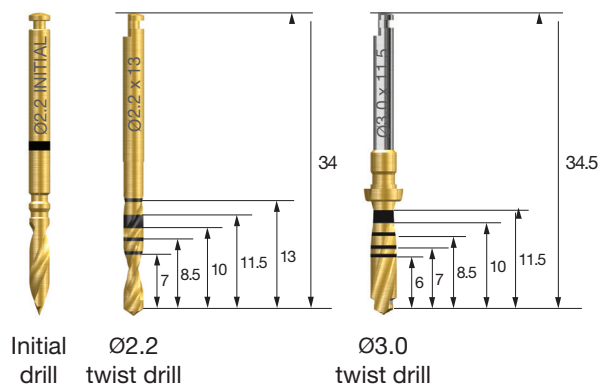
Br.	Dist.	Setup
0	5	10 15 20
0	6	11 16 21
0	7	12 17 22
0	8	13 18 23
0	9	14 19 24

Parallel Guide KIT Surgical Instruments

Guide Drills

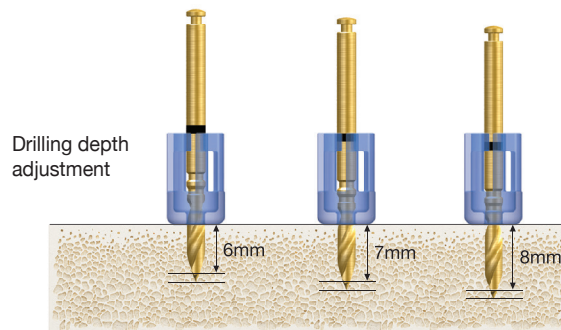
- Initial drill : drilling depth can be adjusted by fastening it to the single guide
- Ø 2.2 twist drill : used with the bridge guide
- Ø 3.0 twist drill : final drill







D	Ø2.2	Ø3.0
Initial drill	GD2208NC	-
Twist drill	GD2213FNC	2D3011LC01



Single Guide

- Transparent material indicates the location and direction of drilling
- Available in six sizes from Ø5.0~10.0, must take into account the mesiodistal crown diameters
- Packing unit : 2ea
- **Disposable; do not re-use**
- Drilling depth can be adjusted from 6~8mm, refer to the initial drill marker and top of the single guide marker



F5.0	F6.0	F7.0	F8.0	F9.0	F10.0
					
SGB050	SGB060	SGB070	SGB080	SGB090	SGB100

Guide Pin

- Checks drilling path and secures the single guide



PGSP22

Parallel Guide KIT Surgical Instruments

Bridge Guide

- Adjustable drill guide for setting up the optimal implant and initial drilling sites
- Fan type : range between 7~12.5mm, 0.5mm increments
- Compass type : range between 5~24mm, 1mm increments
- Set distance using the kit's middle plate



Type \ Distance	7~8.5	9~10.5	11~12.5	5~24
Fan	PGBRA070	PGBRA090	PGBRA110	-
Compass	-	-	-	PGBPA

Multi Joint Handle

- Handle connects to the ball head of the bridge guide, provides information about the guide from outside the mouth



Denture Guide

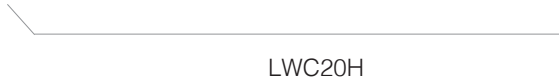
- Angle adjustable denture guide for fully edentulous cases
- Using a stone model, arrange the guide to the ideal configuration.
- Tighten and set the guide using the L-wrench.
- Transfer to the patient to start surgery.
- Markers represent tooth positions, 2, 3, 4, 5, etc... starting from the midline



Parallel Guide KIT Surgical Instruments

L-wrench

- Tighten the denture guide after size adjustments



LWC20H

Distance Setup Pin

- Compass type bridge guide and pin type denture guide



PGDSP

SmartGuide KIT (OSGK)

Lower panel components

Guide Pin (4ea)
SGP22



Round Bur (2ea)
RAHM1018



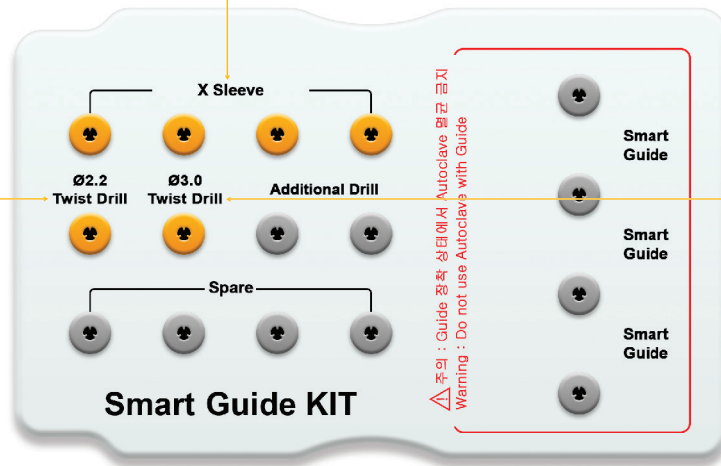
Ø2.2 Twist Drill (2ea) For stone models
2D2208LC01



SGCB30S

X Sleeve (4ea)

Ø2.2 Twist Drill
SGTD2207S







Ø3.0 Twist Drill
QGTD3008



SmartGuide KIT Surgical Instruments

SmartGuide

- Medical grade thermoplastic material
- Becomes flexible when immersed in 70°C water for approx 1 min
- Template hardens in 1 min at room temperature
- Disposable; do not re-use; sterilizable under low temperature (Do not autoclave, do not use hydrogen peroxide)

Type	Single	Free-end Bridge	2-Unit Br.: small	2-Unit Br.: large
				
	SGTSS	SGTFB90LS	SGTB63SS	SGTB85LS

Twist Drill

- Drills specifically for SmartGuide
- Stable drilling through the SmartGuide sleeve
- Initial drilling using the Ø2.2, followed by Ø3.0 drill
- Recommended speed : 1,200~1,500rpm

D	Ø2.2	Ø3.0
	SGTD2207S	QGTD3008



X Sleeve

- Connects to the SmartGuide sleeve and is inserted into the surgical site
- After tightening to SmartGuide outside the mouth, tighten it in the mouth



	SGCB30S
--	---------

SmartGuide KIT Surgical Instruments

Round Bur

- Marks site of the guide pin on a stone model
- Number of usages : 10 times
- Recommended speed : 1,200~1,500rpm

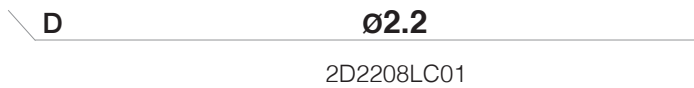


RAHM1018



Ø2.2 Twist Drill

- Drills the hole in the stone model for the guide pin
- Number of usages : 10 times
- Drill after marketing the site with the round bur
- Recommended speed : 1,200~1,500rpm



2D2208LC01



Guide Pin

- Pin that secures the SmartGuide to the stone model
- Connected to the SmartGuide sleeve



SGP22

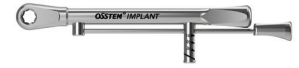




Prosthetic KIT (HPRSTKA)

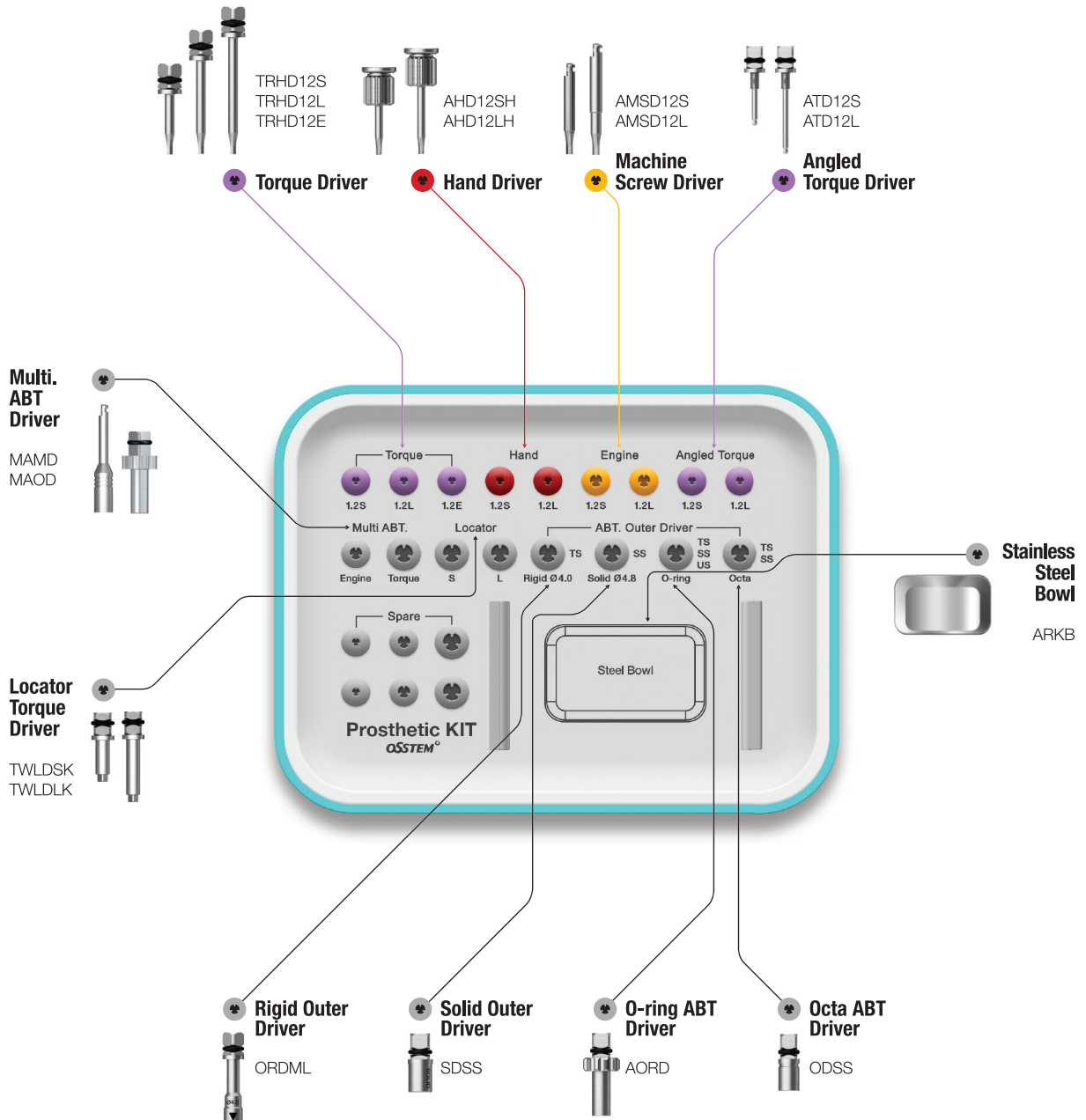
Top Panel Components

Torque Wrench
TW30B



HIOSSEN KITS

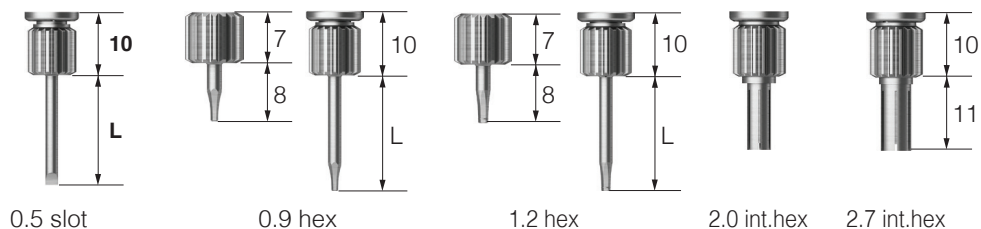
194



Prosthetic KIT Surgical Instruments

Hand Driver

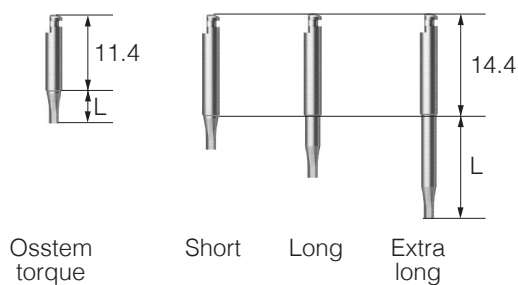
- Manual driver
- Tip holding function (except internal hex type)
- Internal hex type length: 11mm



L \ Type	0.5 Slot	0.9 Hex	1.2 Hex	2.0 Int.Hex	2.7 Int.Hex
Ex.Short (8)	-	AHD09MSH	AHD12MSH	-	-
Short (13)	-	AHD09SH	AHD12SH	-	-
Middle (15)	-	-	AHD12MH	-	-
Long (18)	-	AHD09LH	AHD12LH	-	-
Ex.Long (25)	-	-	AHD12EH	-	-

Machine Screw Driver

- 1.2 hex driver for engine handpiece
- Tip holding function (except in internal hex type)
- Internal hex type length : 8mm



L \ Type	0.5 Slot	0.9 Hex	1.2 Hex	2.0 Int.Hex	2.7 Int.Hex
Osstem Torque (5)	-	-	-	-	-
Short (5.6)	-	AMSD09S	AMSD12S	-	-
Long (11.6)	-	AMSD09L	AMSD12L	-	-
Ex.Long (17.6)	-	-	AMSD12E	-	-

Application

Driver Applied Products

(common for hand, machine screw and torque driver)

Cover screw
(US mini)

Healing abutment,
UCLA,
Cemented
abutment screw,
Mount screw

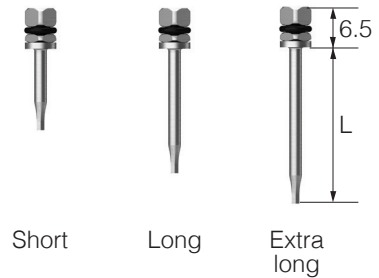
Esthetic abutment
screw regular,
Esthetic-low
abutment screw,
standard

Wide esthetic-low
abutment screw

Prosthetic KIT Surgical Instruments

Torque Driver

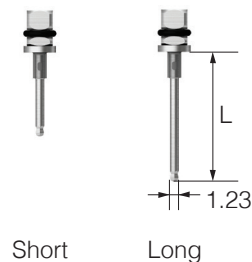
- Driver for torque wrench
- Tip holding function
- May bend or break if excessive torque is applied
- Damage is possible even at low torque if not fully engaged
- Apply vertical pressure when applying torque (do not tilt)
- If the tip is bent or stripped, replace immediately



L \ Type	0.5 Slot	0.9 Hex	1.2 Hex	2.0 Int.Hex	2.7 Int.Hex
Ex.Short (8)	-	-	TRHD12MS	-	-
Short (13)	TRSD05S	TRHD09S	TRHD12S	-	-
Middle (15)	-	-	TRHD12M	-	-
Long (20)	TRSD05L	TRHD09L	TRHD12L	-	-
Ex.Long (25)	TRSD05E	-	TRHD12E	-	-

Angled Torque Driver

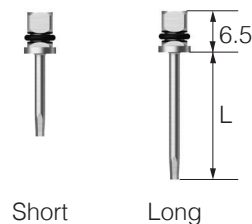
- Driver for torque wrench
- No holding function
- Recommended tightening torque: 30Ncm (excessive torque causes fracture)
- Do not remove tube to prevent fragmentation when broken
- Recommended number of use : 10 times
- Set : 3 per pack



L \ Type	1.2 Hex	1.2 Hex (Set)
Short (13)	ATD12S	ATD12S3S
Long (20)	ATD12L	ATD12L3S

Repair Torque Driver

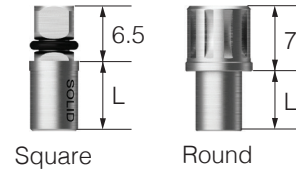
- Reduced diameter of shank compared to the Torque Driver ($\varnothing 2.1 \rightarrow 1.6$)
- The diameter of the screw hole can be minimized during prosthetic repair or SCRP procedures



L \ Type	1.2 Hex
Short (13)	TRHD12SR
Long (20)	TRHD12LR

Solid Abutment Driver

- Driver specific for solid abutments
- Connect to the solid abutment by matching up the groove with the triangular indicator
- Recommended tightening torque : 30Ncm



Regular

L \ Type	Square	Round
Short (6)	SDSS	SDRS
Long (12)	SDSL	SDRL

Wide

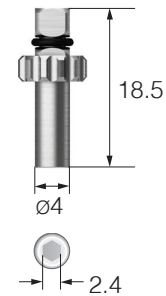
L \ Type	Square
Short (10)	SD60S

O-ring Abutment Driver

- Driver for Stud Abutment



AORD



Rigid Outer Driver

- Driver for Rigid Abutments
- Recommended tightening torque : 30Ncm

L \ D (Abutment)	Ø4.0	Ø4.5	Ø5.0	Ø6.0
Short (16.5)	ORDMS	ORD45S	ORDRS	ORDWS
Long (21.5)	ORDML	ORD45L	ORDRL	ORDWL







Prosthetic KIT Surgical Instruments

Excellent Solid Abutment Driver

- Driver for Excellent Solid Abutments
- Connect to the solid abutment by matching up the groove with the triangular indicator
- Recommended tightening torque : 30Ncm



Regular

L \ Type	Square	Round
Short (6)	ESDSS 	ESDRS 
Long (12)	ESDSL 	ESDRL 

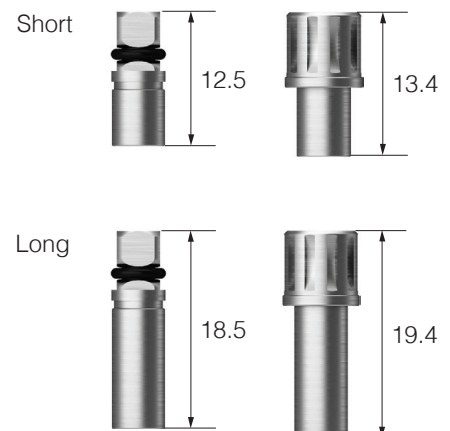
Wide

L \ Type	Square
Short (10)	ESD60S 

Octa Abutment Driver

- Driver for Octa Abutments
- Recommended tightening torque: 30Ncm

L \ Type	Square	Round
Short	ODSS	ODRS
Long	ODSL	ODRL



Multi Abutment Machine Driver

- Machine driver for Multi-Abutments

MAMD



Abutment Holder

- Used to hold abutments and help deliver them to hard-to-reach sites of the oral cavity

OABH



Multi Abutment Outer Driver

- Torque driver for Multi-Abutments

MAOD



Locator® Torque Driver

- Torque driver for Locator Abutments

Type _____

Short

Long



TWLDSK

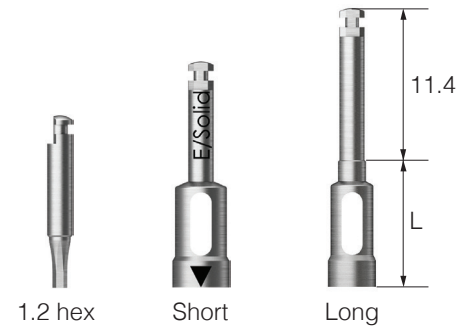


TWLDLK

Prosthetic KIT Surgical Instruments

Torque Driver

- It may not be fastened or disconnected when connecting a normal handpiece
- Driver should be used after matching the groove or section of the outer triangle and abutment
- Solid, excellent solid driver is compatible only with Ø4.8
- 1.2 hex type L is 5

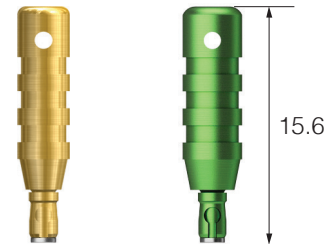


L \ Type	1.2 Hex	Rigid 4.0	Rigid 4.5	Rigid 5.0	Rigid 6.0	Solid	Excellent Solid
Short (10)	OTH12S	OTR40S	OTR45S	OTR50S	OTR60S	OTS48S	OTE48S
Long (15)	-	OTR40L	OTR45L	OTR50L	OTR60L	OTS48L	OTE48L

Path Probe for ET

- Tool to check path and measure gingival height after ET implant placement
- C = Connection

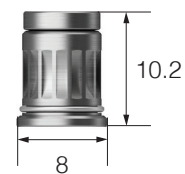
C	Mini	Regular
	GIPAP-3016A	GIPAP-3516A



Torque Connector

- Tool used convert a square driver connection to a bi-directional connection for the torque wrench

ORC

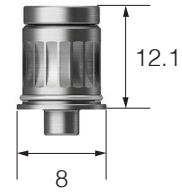


Machine Driver Connector

- Tool used convert a machine driver into a bi-directional connection for the torque wrench



OMDC

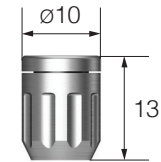


Driver Handle

- Connects to the Torque Driver



TIDHC

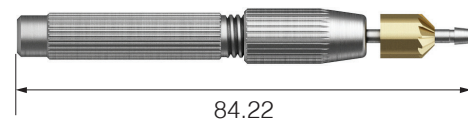


Finishing Reamer Set

- Tool used to remove the excess cast after plastic coping is set

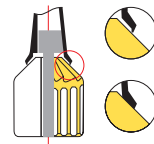


FRSC



Reamer user guide

1. Select a reamer tip that is the same size as Abutment size and connect it to the burn-out cylinder
2. Firmly grasp the casting body and rotate the Reamer Bite with consistent force
3. Ream the body until it is clean and free of the excess casting



Prosthetic KIT Surgical Instruments

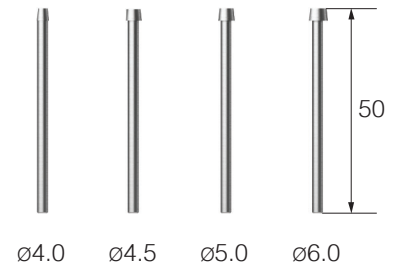
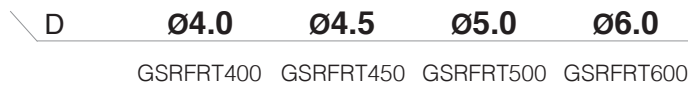
Reamer Bite

- Tool used to remove the excess cast after plastic coping is set



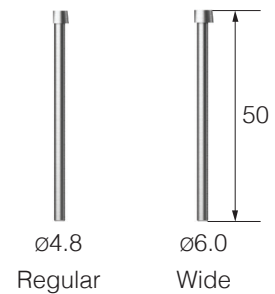
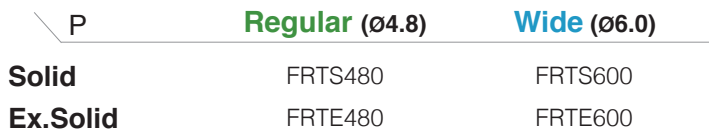
Reamer Tip for Rigid Abutment

- Tool used to remove the excess cast after plastic coping is set



Reamer Tip for Solid, Excellent Solid Abutment

- Tool used to remove the excess cast after plastic coping is set
- For both solid Ø6.0 and excellent solid Ø4.8
- P= Platform





CAS KIT (HCRSNK)

For **ETIII / IV** **SSII / III** **USII**

Top panel components

Lower panel components

Hydraulic Membrane Lifter Tube
SNMT

Bone Carrier Head
SNBCH30



Bone Carrier
SNBCS35

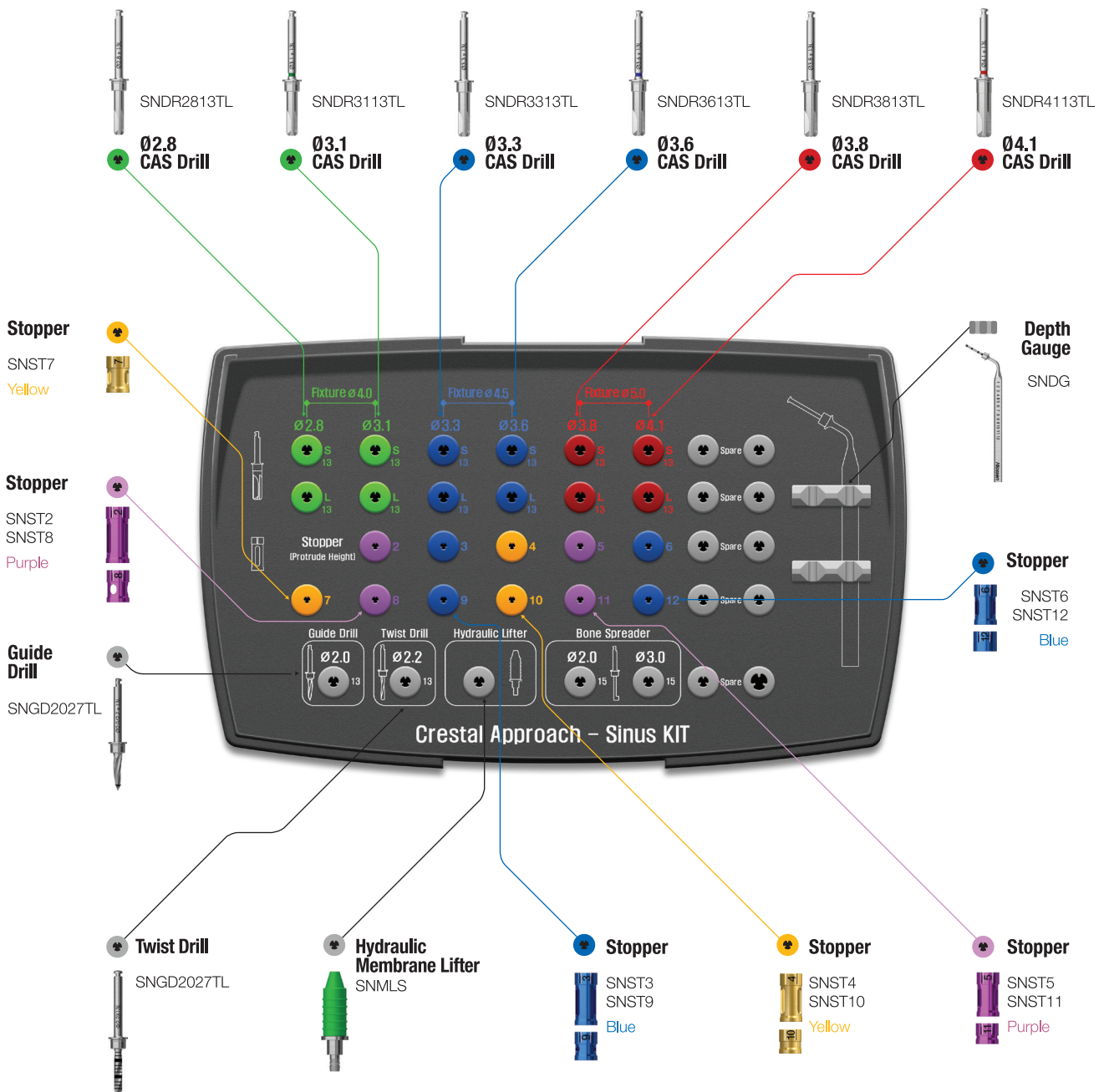


Bone Condenser
SNBC1114



HIOSSEN KITS

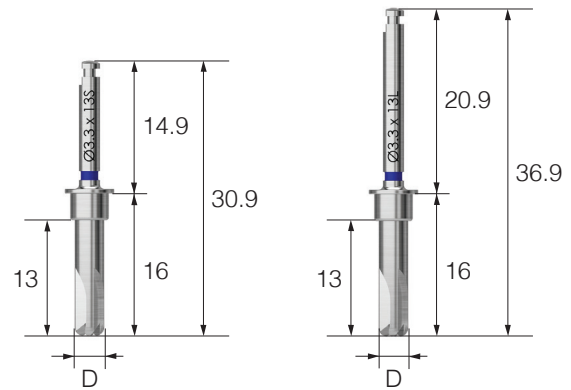
204



CAS KIT Surgical Instruments

CAS Drill

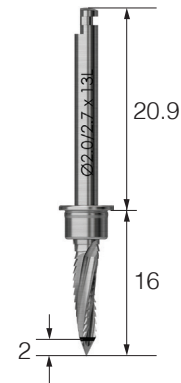
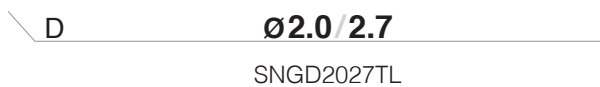
- Specialized drill designed to penetrate the sinus floor without damaging the schneiderian membrane by forming a conical bone lid
- Four blade drill design provides superior bone removing capability from low to high speeds, and can collect autogenous bone at low speeds
- Safely advance to the floor of the sinus using stoppers (1mm increments)
- Final drill diameter is based on bone density, regardless of the fixture type (straight or tapered)
- Recommended speed : 400-800rpm (For beginner: 400rpm)



L \ D	Ø2.8	Ø3.1	Ø3.3	Ø3.6	Ø3.8	Ø4.1
Short	SNDR2813TS	SNDR3113TS	SNDR3313TS	SNDR3613TS	SNDR3813TS	SNDR4113TS
Long	SNDR2813TL	SNDR3113TL	SNDR3313TL	SNDR3613TL	SNDR3813TL	SNDR4113TL

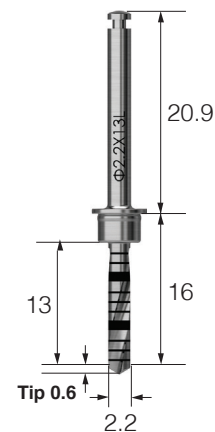
Guide Drill

- Drill to mark the fixture placement site
- Side cutting blades can be used to modify the side walls of the extraction socket
- Line marking 2mm from the apex of drill



Ø2.2 Twist Drill

- Recommend to under-drill by 1mm below the floor of the sinus
- Use with stoppers for safe and controlled drilling
- Apex tip measures an additional 0.6mm



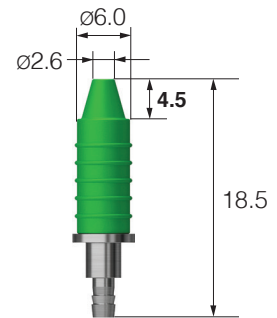
CAS KIT Surgical Instruments

Hydraulic Membrane Lifter Set

- Hydraulic pressure is used to separate and lift the sinus membrane
- Securely fits Ø2.8-Ø4.1 CAS drilled osteotomies

\diagdown **D** **Ø2.6 / 6.0**

 SNMLS



Stopper

- Laser marked numbers indicates drilling depth
- Color-coded by length
- Recommended number of usage: 50 times

\diagdown L	2	3	4	5	6	7	8	9	10	11	12
											
	SNST2	SNST3	SNST4	SNST5	SNST6	SNST7	SNST8	SNST9	SNST10	SNST11	SNST12
Color	Purple	Blue	Yellow	Purple	Blue	Yellow	Purple	Blue	Yellow	Purple	Blue

Bone Carrier

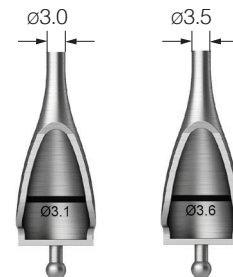
- Handle for the bone carrier head
- Connect the bone carrier head and tighten at the opposite end
- Connects both heads (SNBCH30 or SNBCH35)



\diagdown _____
 SNBCS35

Bone Carrier Head

- Cone shaped with an extended tip that reaches the sinus cavity and prevents bone material from spilling out
- SNBCH30 for Ø3.1/3.3 CAS drilled osteotomy
- SNBCH35 for Ø3.6/3.8/4.1 CAS drilled osteotomy
- Fill the reservoir (up to the marker) with bone material in small quantities using the bone condenser. Repeat the process as necessary



\diagdown **D** **Ø3.1** **Ø3.6**

 SNBCH30 SNBCH35

Bone Condenser

- Safely pushes bone material through the bone carrier into the sinus cavity
- SNBCH30 : use Ø1.1 / SNBCH35 : use Ø1.4



D	Ø1.1/1.4
SNBC1114	

Hydraulic Membrane Lifter Tube

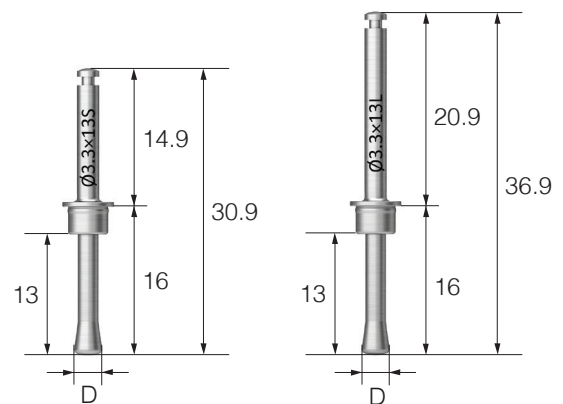
- Tubing to connect the hydraulic membrane lifter to the saline filled syringe



SNMT	
------	--

Membrane Lifter

- Round shape with no cutting edges for safe membrane lifting
- Select Membrane Lifter diameter according to the CAS drill diameter used (head diameter: CAS drill diameter -0.2mm)
- Use CAS stoppers to control length
- Recommended speed : 400~800rpm
- Be sure to spray water when using



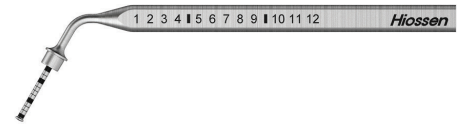
L \ D	Ø2.6	Ø2.9	Ø3.1	Ø3.4	Ø3.6	Ø3.9
Short	SNML2813TS	SNML3113TS	SNML3313TS	SNML3613TS	SNML3813TS	SNML4113TS
Long	SNML2813TL	SNML3113TL	SNML3313TL	SNML3613TL	SNML3813TL	SNML4113TL

CAS KIT Surgical Instruments

Depth Gauge

- Checks for access into the sinus cavity and measures the thickness of residual bone

SNDG

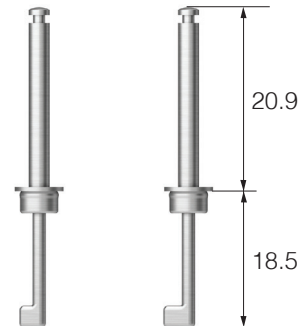


Bone Spreader

- Spreads bone graft material in the sinus cavity
- Used with CAS stoppers
- Recommended speed : 30rpm or less

D **Ø2.0** **Ø3.0**

SNBS2015T SNBS3015T



Y-Connector

- Y-type connecting tool capable of simultaneous hydraulic pressure elevation in two osteotomies

SNYCT

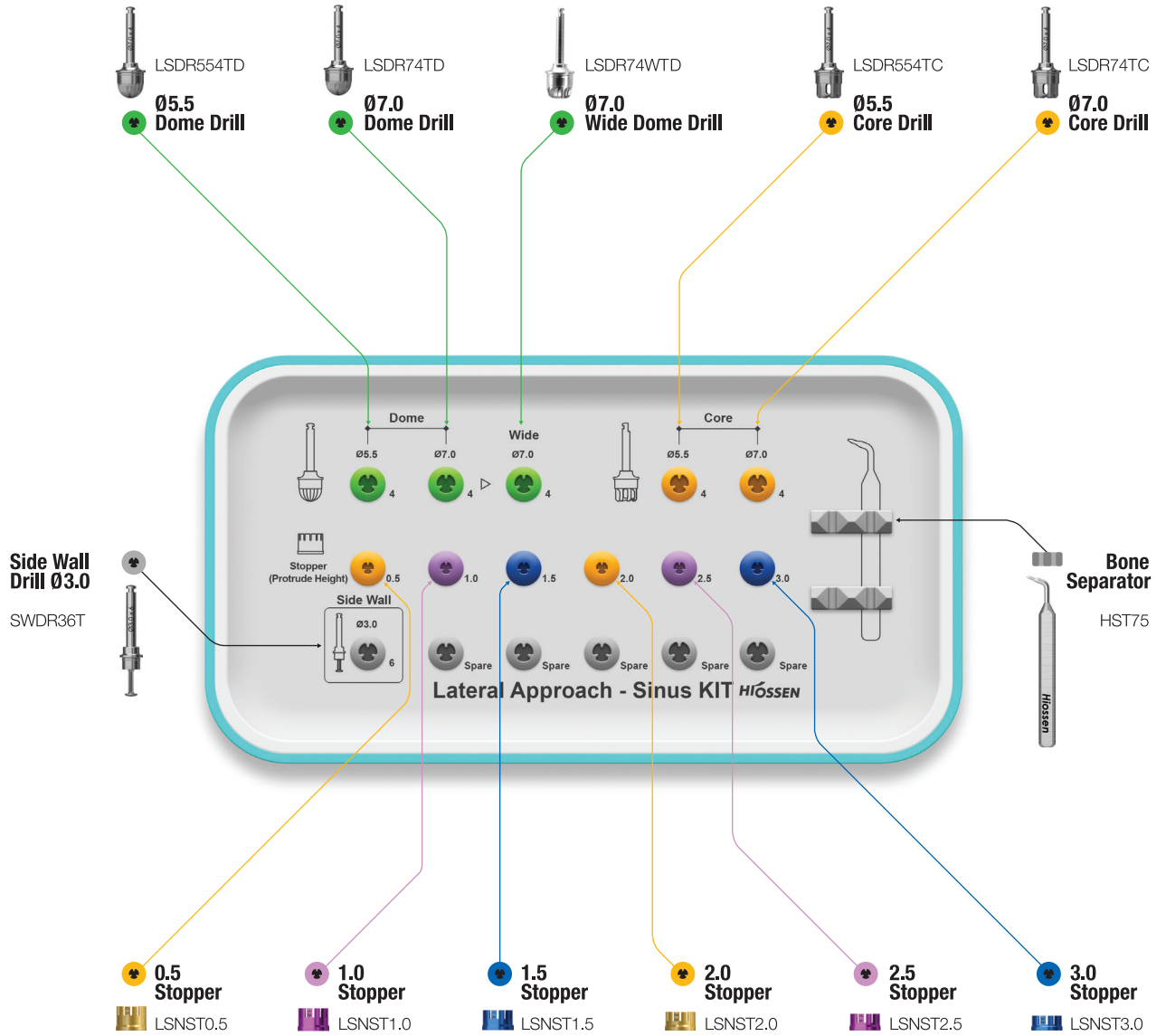




LAS KIT (HLRSNK)

HIOSSEN KITS

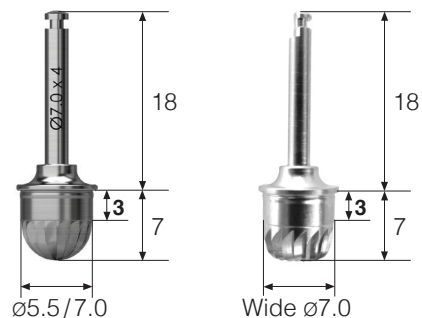
210



LAS KIT Surgical Instruments

Dome Drill

- Dome Drill
- Forms a bone window and collects autogenous bone simultaneously
- Excellent penetration due to the combination of macro and micro cutting edges
- Stopper system safely controls the penetration depth
- Recommended speed : 1,200~1,500rpm
- Excessive drilling may cause damage to the membrane



L \ D	Ø5.5	Ø7.0	Wide Ø7.0
25	LSDR554TD	LSDR74TD	LSDR74WTD

Core Drill

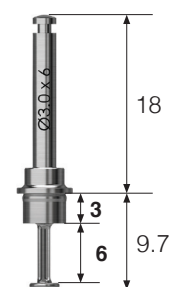
- Creates a bone lid while forming the lateral window
- Cutting edge design based on the CAS drill, enhancing safety
- Recommended speed : 1,200~1,500rpm
- Excessive drilling may cause damage to the membrane








L \ D	Ø5.5	Ø7.0
25	LSDR554TC	LSDR74TC

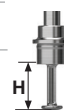
Side Wall Drill

- Enlarges and trims the rough edges of the bone window
- Cutting blades start 1 mm above the bottom of the drill
- Recommended speed : 1,500rpm



SWDR36T

Height of cutting blade (mm)	1.0	2.0	3.0	4.0	5.0
CAS KIT stopper (mm)	8.0	9.0	10	11	12
Side wall Drill + CAS KIT stopper					

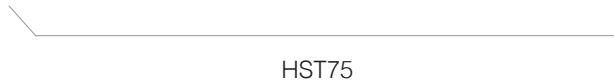


- Stoppers safely control the drilling depth

LAS KIT Surgical Instruments

Bone Separator

- Removes the bone lid inside the core drill



HST75

Stopper

- Laser marked numbers indicate the drilling depth
- Color-coded by length
- Can be used up to 50 times before replacement

L	0.5	1.0	1.5	2.0	2.5	3.0
						
	LSNST0.5	LSNST1.0	LSNST1.5	LSNST2.0	LSNST2.5	LSNST3.0
Color	Yellow	Purple	Blue	Yellow	Purple	Blue



ESSET KIT (HESEK)

For

- ETIII / IV
- SSII / III
- USII

Lower panel components

Torque Wrench
TQWCB



Depth Gauge
ODG



ESSET KIT
HIOSSEN

Crest Remover			Expansion Drill				Mount S				Mount L				Mount Extension				Fixture Driver			
1	2	3	4	5	6	7	S	S	S	S	S	S	S	S	S	S	S	S	S	S	S	S
Ø7.0	8.5	Ø7.0	8.5	10.0	11.5	13.0	1.2	1.2	1.2	1.2	1.2	1.2	1.2	1.2	1.2	1.2	1.2	1.2	1.2	1.2	1.2	1.2
Ø5.0	10	Ø10.0	Ø1.6/2.8	Ø2.2/3.6	Ø2.8/4.4	Ø3.2/4.7	Spare	Spare	Spare	Spare	Spare	Spare	Spare	Spare	Spare	Spare	Spare	Spare	Spare	Spare	Spare	Spare
Ø5.0 (Straight)	11.5	Ø13.0	ESSET KIT Procedure				Spare				Spare				Spare							
Dr. B. H. Suh			1 ▶ 2 ▶ 3 ▶ 4 ▶ 5 ▶ 6 ▶ Ø4.0 Taper Fixture Implanting				1 ▶ 2 ▶ 3 ▶ 4 ▶ 5 ▶ 6 ▶ 7 ▶ Ø4.5 Taper Fixture Implanting															

Expansion Drill

EXP162808
EXP162810
EXP162811

Expansion Drill

EXP223608
EXP223610
EXP223611

Expansion Drill (2ea)

EXP284408
EXP284410
EXP284411

Expansion Drill (2ea)

EXP324708
EXP324710
EXP324711

EXP Mount Driver

AESMDS
AESMDL

Mount Extension

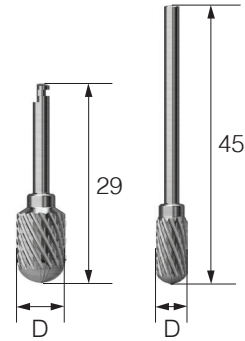
ASMEL

ESSET KIT Surgical Instruments

Crest Remover

- Grinds down narrow alveolar ridge, and creates an indentation for the fixture's insertion site
- Angled type recommended speed : 1,200~1,500rpm
- Straight type recommended speed : 15,000~30,000rpm

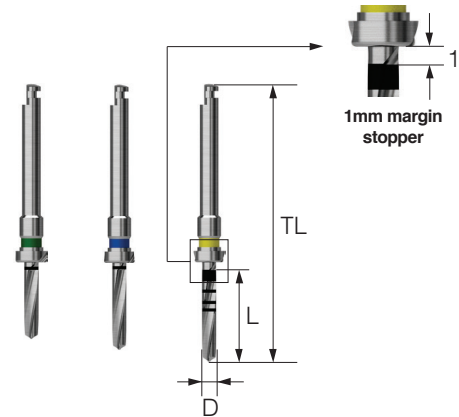
L \ D	Ø5.0	Ø7.0
29	CERM50A	CERM70A
45	CERM50S	-



Twist Drill

- Marks the fixture's insertion site
- Controls depth with the built in stopper
- Recommended speed : 1,200~1,500rpm

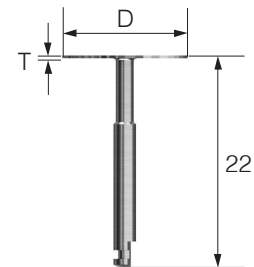
L \ TL \ D	Ø1.8	
8.5 \ 33	2D1808LC01	
10 \ 34.5	2D1810LC01	
11 \ 36	2D1811LC01	



Saw

- For ridge modification and splitting
- Cut vertically, then saw in a mesial to distal direction
- Recommended speed : 1,200~1,500rpm
- Recommended number of use : 10 times
- T = Thickness

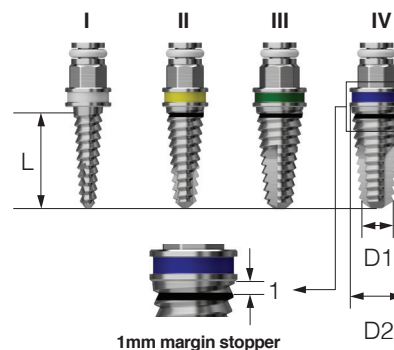
T \	Ø7.0	Ø10.0	Ø13.0
0.3	RA231DC070	RA231DC100	RA231DC130



ESSET KIT Surgical Instruments

Expansion Drill

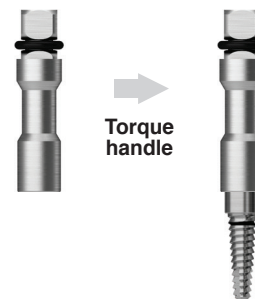
- Gradually expands narrow alveolar ridge
- Use the Expansion Drills in numerical order based on the diameter of the fixture
- F4.0 : I → II → III / F4.5 : I → II → III → IV
- Recommended speed : 25~35rpm



L	Type	I	II	III	IV
	D1 / D2	Ø1.6 / 2.8	Ø2.2 / 3.6	Ø2.8 / 4.4	Ø3.2 / 4.7
8.5		EXP162808	EXP223608	EXP284408	EXP324708
10		EXP162810	EXP223610	EXP284410	EXP324710
11.5		EXP162811	EXP223611	EXP284411	EXP324711

Mount Extension

- Used to apply manual torque when inserting/removing the Expansion Drills

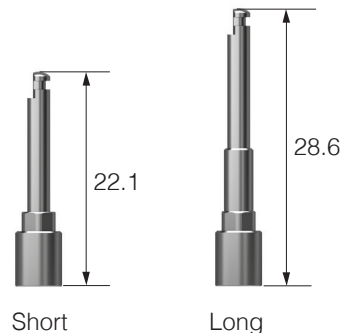


ASMEL

EXP Mount Driver

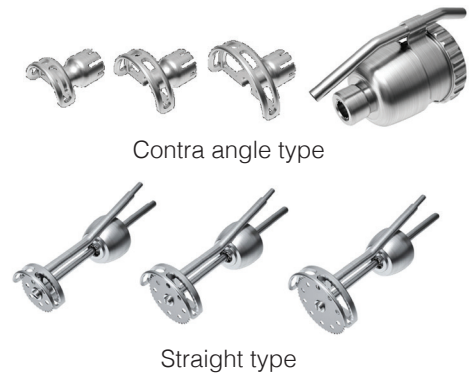
- Used to inserting/removing the Expansion Drills with a handpiece and engine

L	Type
Short (L)	AESMDS
Long (L)	AESMDL



Saw Protector

- Saw cover prevents debris from ejecting outside the oral cavity and protects adjacent soft tissue
- Cover can rotate 360° for added convenience during surgery
- Contra angle type: (detachable saw cover) - KaVo (CL 3-09, S201L), W&H (WS-75)
- Straight type (integrated saw cover) - KaVo (CL10)
- Use an appropriate saw
- Cover and saw are ordered separately



Type	D		Ø7.0	Ø10.0	Ø13.0	Ø15.0	Full Set
Kavo	Contra Angled	Cover	SP07AC	SP10AC	SP13AC	-	-
		Set	SP07A	SP10A	SP13A	-	SP071013A
	Straight	Saw	-	SAW10S	SAW13S	SAW15S	-
		Set	-	SP10S	SP13S	SP15S	SP101315S
W&H	Contra Angled	Cover	SP07ACW	SP10ACW	SP13ACW	-	-
		Set	SP07AW	SP10AW	SP13AW	-	SP071013W

Torque Wrench

- Use to apply torque to the Expansion Drills



TQWCB

Depth Gauge

- Release a wedged Expansion drill stuck inside the bone on the way out
- Use with an open wrench to turn the hex of the Expansion drill
- Prevents from over torquing



ODG

EM (MS) KIT (HMISLK)

Lower panel components

Depth Gauge
MSDG



Ratchet Wrench
CITQW-1185A



OSMSD18S
OSMSD18L
Ø1.8 Twist Drill

OSMSD23S
OSMSD23L
Ø2.3 Twist Drill

OSMSD25S
OSMSD25L
Ø2.5 Twist Drill

Lance Drill
OSLD15
OMSLD15L

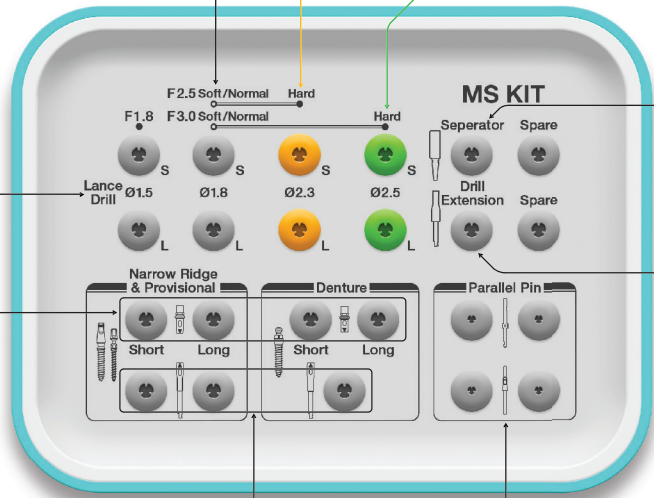
Torque driver
MSPTL
MSDTS

Machine Driver
MSPML
MSDMS

Parallel Pin
MSP
MSPPN

Driver Separator
MSDS

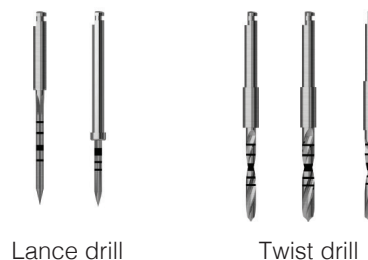
Drill Extension
ODE



EM (MS) KIT Surgical Instruments

Drill for EM (MS) Implant

- Laser markings on drill match implant length specifications (8 / 10 / 11.5 / 13 / 15 mm)
- In cortical bone, it is recommended to use the lance drill to drill to the final implant length
- Long type has a stopper at 13mm



Lance Drill

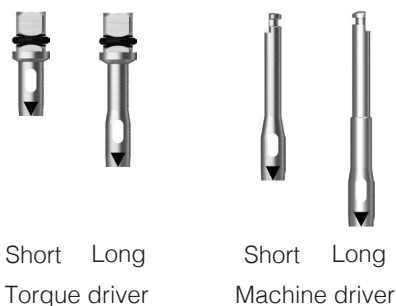
L \ D	Ø1.5
35	OSLD15
38 (Long)	OMSLD15L

Twist Drill

L \ D	Ø1.8	Ø2.3	Ø2.5
Short (33)	OSMSD18S	OSMSD23S	OSMSD25S
Long (41)	OSMSD18L	OSMSD23L	OSMSD25L

Driver for Narrow Ridge & Provisional Type

- Driver for EM (MS) implants: narrow ridge & provisional
- The triangular marking is used in line with the implant



Torque Driver

L \ D	Ø3.4
Short (16.5)	MSPTS
Long (21.5)	MSPTL

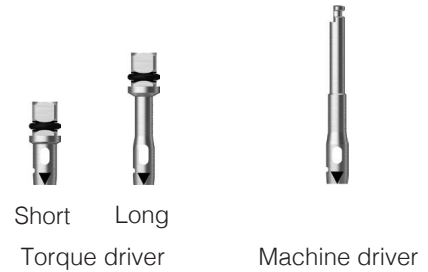
Machine Driver

L \ D	Ø3.4
Short (24.4)	MSPMS
Long (29.4)	MSPML

EM (MS) KIT Surgical Instruments

Driver for Denture Type

- Driver for EM (MS) Implant denture
- The triangular marking should be aligned with the implant



Torque Driver

L \ D	Ø3.8
Short (13.5)	MSDTS
Long (18.5)	MSDTL

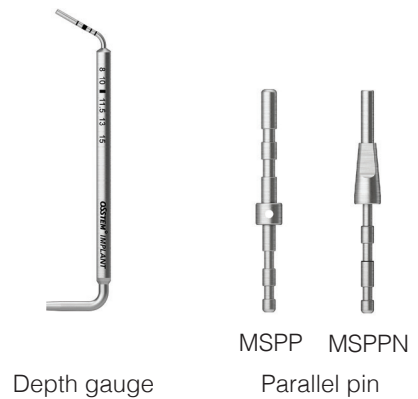
Machine Driver

L \ D	Ø3.8
Long (21.4)	MSDMS

Gauge for MS Implant

- Depth gauge
 - Left : to check the drilled depth
 - Right : to bend the neck of the EM (MS) provisional type
 - MS narrow narrow ridge type cannot be bent
 - Parallel pin is used to confirm the path of the implant after drilling
 - MSPP : lower diameter Ø1.5 / upper diameter Ø1.8
 - MSPPN : lower diameter Ø1.5 / upper shape is same as the abutment portion of the MS narrow ridge

Depth Gauge	Parallel Pin
MSDG	MSPP
-	MSPPN



Torque Driver Handle

- Used for initial insertion by hand after fastening to torque driver

MSTH



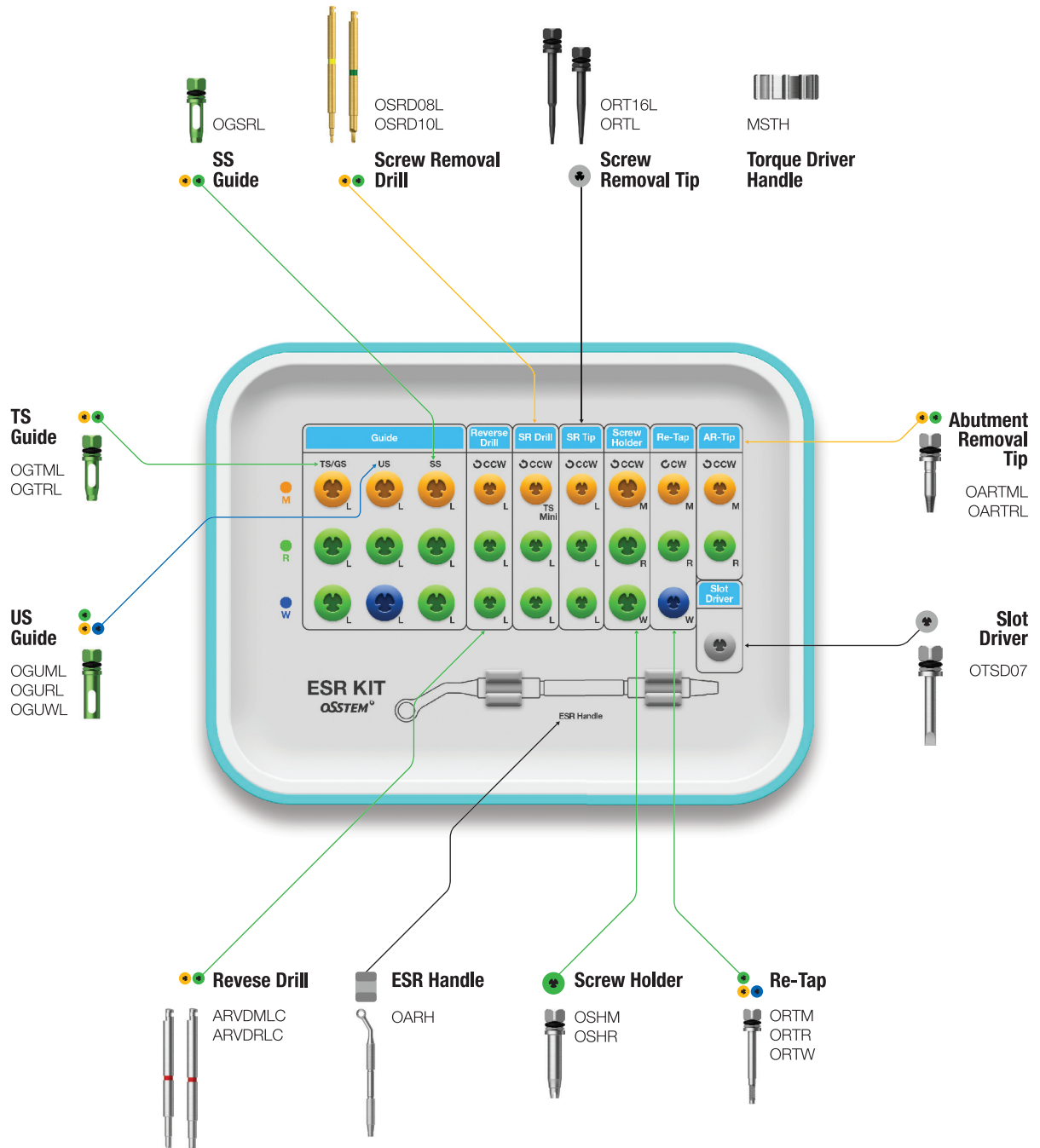
Driver Separator

- If the MS implant is jammed in the Driver, the Driver Separator can be levered in to separate the two



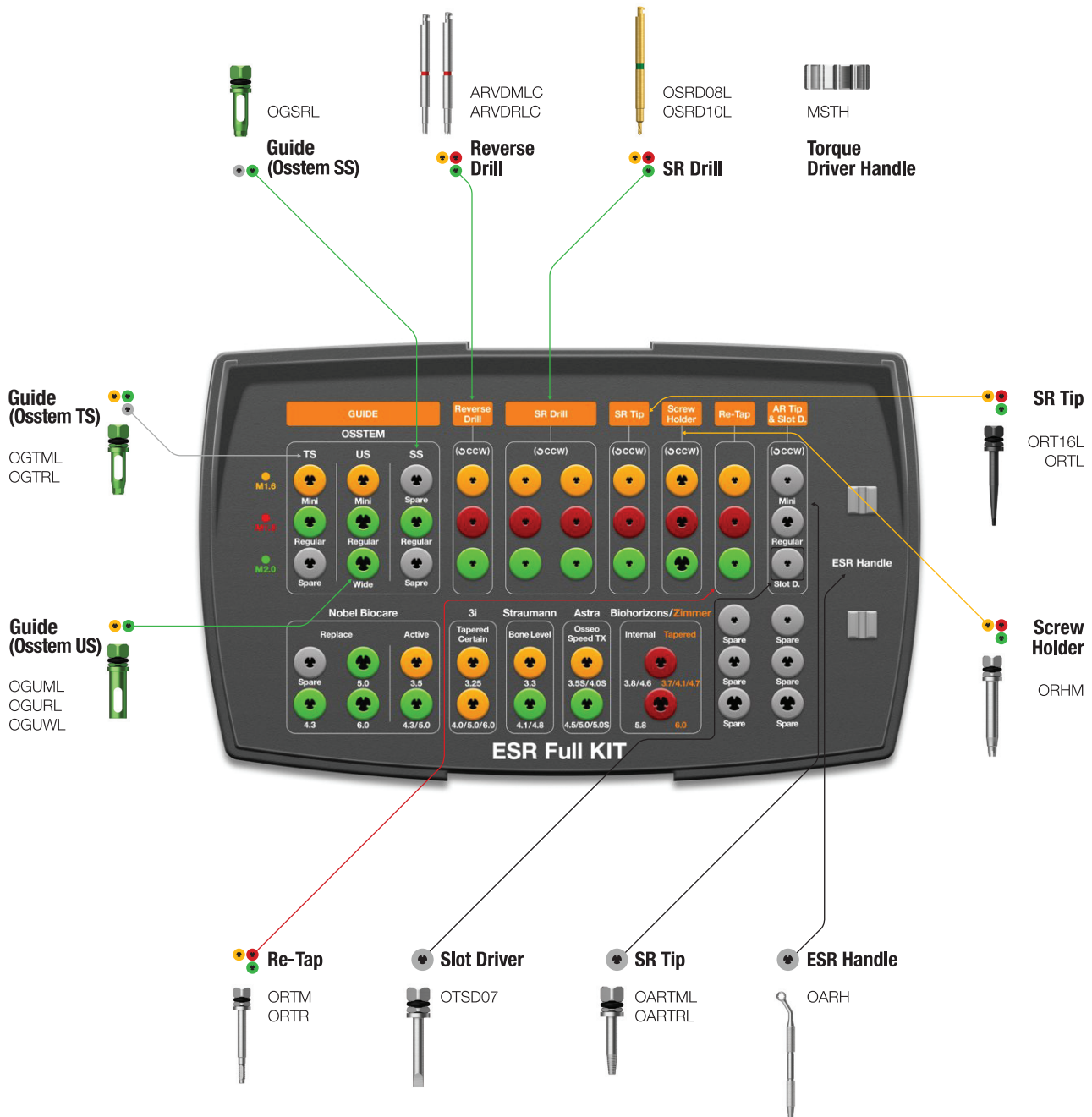
MSDS

ESR KIT Easy Screw Removal KIT (OESRK)



ESR Full KIT Easy Screw Removal Full KIT (OESRFK)

For Nobel Biocare Active/Replace / Straumann Bone Level / Astra Osseo Speed TX
 3i Full OSSEOTITE Tapered Certain / Zimmer Tapered / BioHorizons® Internal









ESR Full KIT Surgical Instruments

Guide								
Nobel	Active OGNA01L OGNA02L	Replace OGNR02L OGNR03L OGNR04L	3i	Tapered Certain OGIF01L OGIF02L		Straumann	Bone Level OGSB01L OGSB02L	Roxolid SLActie OGSTROS OGSTROL
Astra	Osseo Speed TX OGAO01L OGAO02L		Biohorizons	Internal OGZB01L OGZB02L	External OGUBS OGUBL	Zimmer	Tapered OGZB01L OGZB02L	
SR Drill OSRD09L		SR Tip ORT18L		Screw Holder OSHR18L		Re-Tap ORTR18L		





Guide

- Connected to the fixture to center and prevent shaking of the reverse driver, SR drill and retap
- Choose spec of guide according to fixture type and diameter (6 overseas companies' internal and submerged type products)
- Short or long used according to intermaxillary distance
- Used in combination with the ESR handle
- C = Connection / F = Fixture / the number of use : 10 times


Osstem

C \ Type	TS		SS		US	
	Short	Long	Short	Long	Short	Long
						
Mini	OGTMS	OGTML	OGUMS	OGUML	OGUMS	OGUML
Regular	OGTRS	OGTRL	OGSRS	OGSRL	OGURS	OGURL
Wide	-	-	OGSRS	OGSRL	OGUWS	OGUWL


Nobel Biocare


F \ Type	Active		Replace	
	Short	Long	Short	Long
				
Ø4.3	OGNA02S	OGNA02L	OGNR02S	OGNR02L
Ø5.0	OGNA02S	OGNA02L	OGNR03S	OGNR03L
Ø6.0	-	-	OGNR04S	OGNR04L

Nobel Biocare


F \ Type	MkIII	
	Short	Long
		
Ø3.3	OGUMS	OGUML
Ø3.75	OGURS	OGURL
Ø4.0	OGURS	OGURL
Ø5.0	OGUWS	OGUWL

Straumann

F \ Type	Bone Level	
	Short	Long
		
NC (3.3)	OGSB01S	OGSB01L
RC (4.1)	OGSB02S	OGSB02L
RC (4.8)	OGSB02S	OGSB02L



F \ Type	Roxolid SLActive	
	Short	Long
		
RN (3.3)	OGSTROS	OGSTROL
RN (4.1)	OGSTROS	OGSTROL
RN (4.8)	OGSTROS	OGSTROL
WN (4.8)	OGSTROS	OGSTROL

Astra


F \ Type	Osseo Speed TX	
	Short	Long
		
Small (3.5 S)	OGAO01S	OGAO01L
Small (4.0 S)	OGAO01S	OGAO01L
Large (4.5)	OGAO02S	OGAO02L
Large (5.0)	OGAO02S	OGAO02L
Large (5.0 S)	OGAO02S	OGAO02L

ESR Full KIT Surgical Instruments



3i

F \ Type	Full Osseotite Tapered Certain		F \ Type	Full Osseotite Tapered	
	Short	Long		Short	Long
					
3.25	OGIF01S	OGIF01L	Ø4.0	OGURS	OGURL
4.0	OGIF02S	OGIF02L	Ø5.0	OGURS	OGURL
5.0	OGIF02S	OGIF02L	Ø6.0	OGURS	OGURL
6.0	OGIF02S	OGIF02L			

Zimmer

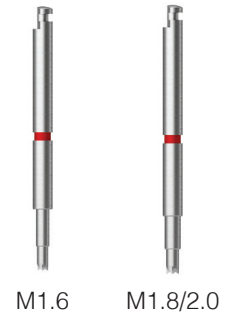
F \ Type	Tapered	
	Short	Long
		
Green (3.7)	OGZB01S	OGZB01L
Green (4.1)	OGZB01S	OGZB01L
Green (4.7)	OGZB01S	OGZB01L
Green (6.0)	OGZB02S	OGZB02L

BioHorizons®

F \ Type	Internal (Tapered Bone Level)		F \ Type	External	
	Short	Long		Short	Long
					
Yellow	OGZB01S	OGZB01L	Ø3.5	OGUMS	OGUML
Green	OGZB01S	OGZB01L	Ø4.0	OGURS	OGURL
Blue	OGZB02S	OGZB02L	Ø5.0	OGUBS	OGUBL
			Ø6.0	OGUBS	OGUBL

Reverse Drill

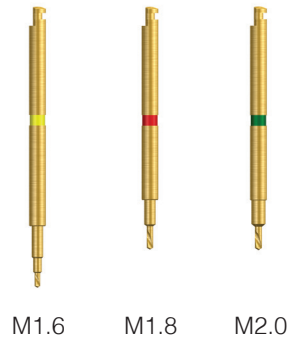
- Used to remove a fracture screw
- To be used in conjunction with the guide
- If the red marking of the reverse driver is visible on the guide, remove the fractured screw using a screw holder
- Direction of rotation : counter clockwise
- Recommended number of usage: 10 times
- F = Fixture



L \ Type	M1.6	M1.8	M2.0
Short	-	ARVDRSC	ARVDRSC
Long	ARVDMLC	ARVDRLC	ARVDRLC

Screw Removal Drill (SR Drill)

- Used to create a hole in the fractured screw
- Make sure to connect the guide, irrigate and suction to remove any debris
- Available in long and short lengths for different intermaxillary distances
- Drill until the colored marking on the drill is no longer visible through the guide
- Recommended speed: 1,200~1,500 rpm (counterclockwise)
- Recommended number of uses: 5 times
- Connect the guide before use / Do not apply excessive vertical force / Do not clean with hydrogen peroxide



L \ Type	M1.6	M1.8	M2.0
Short	OSRD08S	OSRD09S	OSRD10S
Long	OSRD08L	OSRD09L	OSRD10L

Torque Driver Handle

- Manual handle for SR Tip, AR Tip, screw holder



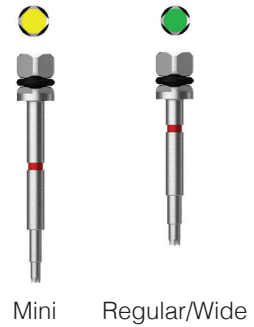
MSTH

ESR Full KIT Surgical Instruments

Reverse Driver

- Reverse Driver
- Used to remove a fracture screw
- To be used in conjunction with the guide
- Insert until the red band is in the Guide and turn counterclockwise to remove the screw
- Use manually / Rotate counterclockwise / Number of usages : 10 times
- F = Fixture

L \ F	Mini	Regular/Wide
Short	-	ORVDRS
Long	ORVDML	ORVDRL



Screw Removal Tip (SR Tip)

- Removes a fractured screw by engaging into the hole created by the Screw Removal Drill
- Rotation direction : counterclockwise

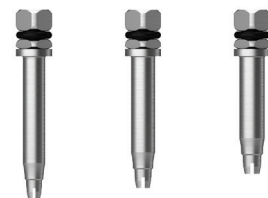
L \ Type	M1.6	M1.8	M2.0
Short	ORT16S	ORT18S	ORTS
Long	ORT16L	ORT18L	ORTL



Screw Holder

- Grasps onto a protruding fractured screw to unscrew it
- Color-coded for easy recognition
- Rotation direction : counterclockwise

Type	M1.6	M1.8	M2.0
	OSHM	OSHR18	OSHR



Re-tap

- Re-threads the internal connection of a fixture
- Connects to a torque wrench or ratchet wrench to re-thread by hand



Type	M1.6	M1.8	M2.0
	ORTM	ORTR18	ORTR

ESR Handle

- Stabilizes the Guide to the fixture



	OARH
--	------

Abutment Removal Tip (AR Tip)

- Removes fractured or jammed abutments and mounts from the fixture
- Insert into fractured abutment hole, turn counter clockwise, and rock back and forth to loosen and remove with forceps
- Mini : it can be used to remove a screw with a stripped hex
 - To remove the screw, engage the tip into the stripped hex and rotate counterclockwise



L \ Type	Mini	Regular
Short	OARTMS	OARTRS
Long	OARTML	OARTRL
Ex.Long	OARTMEL	OARTREL

ESR Full KIT Surgical Instruments

Slot Driver

- Used to unscrew a screw, healing abutment, cover screw, or abutment screw with a stripped hex after creating a slot with a $\varnothing 0.8$ bur

OTSD07



Transfer Abutment Separate Tool

- Remove jammed abutment of non-hex type transfer abutment
- The tip is for mini platform abutments; the next step for regular platform
- Remove the abutment screw, insert Separate Tool Body into the abutment, tighten clockwise with Driver, and remove the abutment. If there is difficulty separating the abutment, attach a ratchet wrench for extra torque

Driver	Body	Set
TASD	TASB	TAST



HIOSSSEN[®]
I M P L A N T

EFR KIT Easy Fixture Removal KIT (OSFRK)





Top panel components

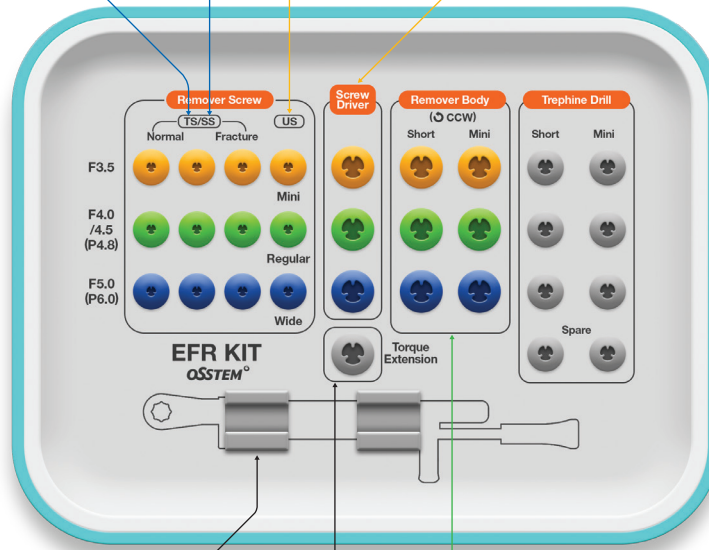
For

- ETIII / IV
- SSII / III
- USII
- Ultra-wide

Fixture Wrench
FRDFE



- | | | | |
|--|---|--|---|
| <p>Normal mode</p>  <p>FRSM35
FRSR40
FRSW50</p> <p>ET/SS Remover Screw</p> | <p>Fracture mode</p>  <p>FRSM35F
FRSR40F
FRSW50F</p> <p>ET/SS Remover Screw</p> |  <p>FRSM35US
FRSR40US
FRSW50US</p> <p>US Remover Screw</p> |  <p>FRSDM23
FRSDR25
FRSDW30</p> <p>Screw Driver</p> |
|--|---|--|---|



EFR Full KIT Easy Fixture Removal Full KIT (OSFRFK)

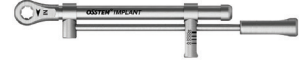
For **Nobel Biocare** Active/Replace / **Straumann** Bone Level / **Astra** Osseo Speed TX
3i Full OSSEOTITE Tapered Certain / **Zimmer** Tapered / **BioHorizons**® Internal

Lower panel components

Fixture Wrench
FRDFE



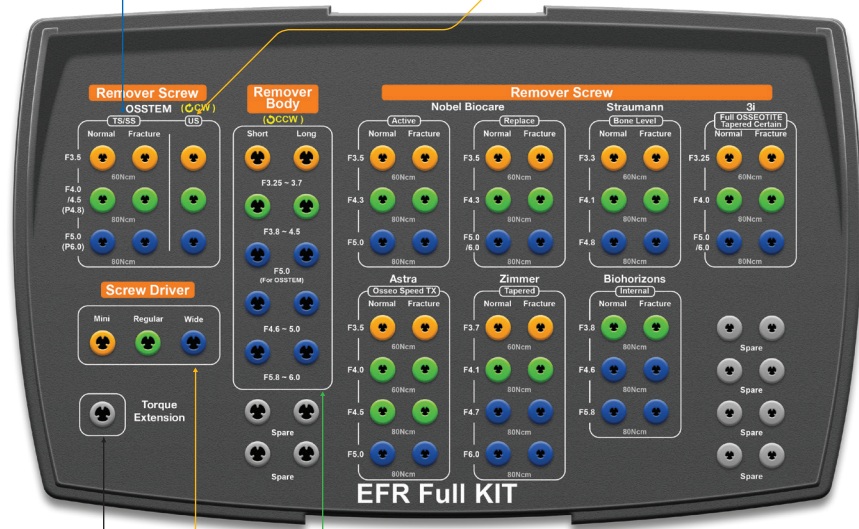
Torque Wrench
TW400B



OSSTEM TS/SS
Remover Screw



OSSTEM US
Remover Screw



Torque Extension
OTE



Screw Driver

FRSDM23
FRSDR25
FRSDW30



Remover Body

FRBM35S
FRBM35L
FRBR40S
FRBR40L
FRBW50S
FRBW50L

EFR Full KIT Surgical Instruments

Remover Screw							
Nobel	Active			Replace			
	Normal	Fracture		Normal	Fracture		
	FRSMNA35 FRSR40 FRSW50	FRSMNA35F FRSR40F FRSW50F		FRSMNR35 FRSR40 FRSW50	FRSMNR35F FRSR40F FRSW50F		
Straumann	Bone Level		3i	Full Osseotite Tapered Certain		Biohorizons	Internal
	Normal	Fracture		Normal	Fracture		Normal
	FRSM33 FRSR41 FRSW548	FRSM33F FRSR41F FRSW548F		FRSMI325 FRSRI40 FRSWI50	FRSMI325F FRSRI40F FRSWI50F		FRSRZ41 FRSWZ47 FRSWZ60
Zimmer	Tapered		Astra	Osseo Speed TX		Remover Body	
	Normal	Fracture		Normal	Fracture		
	FRSMZ37 FRSRZ41 FRSWZ47 FRSWZ60	FRSMZ37F FRSRZ41F FRSWZ47F FRSWZ47F		FRSMNA35 FRSRA40 FRSR40 FRSW50	FRSMNA35F FRSRA40F FRSR40F FRSW50F	FRBW57S FRBW57L FRBUW60S FRBUW60L	

Remover Screw

- When securely fastened to the fixture, it serves as a supporting structure for the Remover Body
- Use the proper type that matches the diameter of the fixture to be removed (ET/SS/US, normal/fracture)
- Fracture type is specifically for removing a fractured fixture
- Recommended tightening torque : regular/wide 100Ncm, mini 80Ncm
- **Disposable; do not re-use**
- T = Type



Osstem

T \ Mode		Mini Ø3.5/-	Regular Ø4.0~4.5/P4.8	Wide Ø5.0/P6.0
TS/SS	Normal	FRSM35	FRSR40	FRSW50
	Fracture	FRSM35F	FRSR40F	FRSW50F
US		FRSM35US	FRSR40US	FRSW50US

Nobel Biocare

T \ Mode		Mini Ø3.5	Regular Ø4.3	Wide Ø5.0/6.0
Active	Normal	FRSMNA35	FRSR40	FRSW50
	Fracture	FRSMNA35F	FRSR40F	FRSW50F
Replace	Normal	FRSMNR35	FRSR40	FRSW50
	Fracture	FRSMNR35F	FRSR40F	FRSW50F

Straumann

T \ Mode	Mode	Mini Ø3.3	Regular Ø4.1	Wide Ø4.8
Bone Level	Normal	FRSMS33	FRSRS41	FRSWS48
	Fracture	FRSMS33F	FRSRS41F	FRSWS48F

Astra

T \ Mode	Mode	Mini Ø3.5	Regular Ø4.0	Regular Ø4.5	Wide Ø5.0
Osseo Speed TX	Normal	FRSMNA35	FRSRA40	FRSR40	FRSW50
	Fracture	FRSMNA35F	FRSRA40F	FRSR40F	FRSW50F

3i

T \ Mode	Mode	Mini Ø3.25	Regular Ø4.0	Wide Ø5.0/6.0
Full Osseotite Tapered Certain	Normal	FRSMI325	FRSRI40	FRSWI50
	Fracture	FRSMI325F	FRSRI40F	FRSWI50F

Zimmer

T \ Mode	Mode	Mini Ø3.7	Regular Ø4.1	Wide Ø4.7	Ultra-Wide Ø6.0
Tapered	Normal	FRSMZ37	FRSRZ41	FRSWZ47	FRSWZ60
	Fracture	FRSMZ37F	FRSRZ41F	FRSWZ47F	FRSWZ47F

Biohorizons

T \ Mode	Mode	Mini Ø3.8	Regular Ø4.6	Wide Ø5.8
Internal	Normal	FRSRZ41	FRSWZ47	FRSWZ60
	Fracture	FRSRZ41F	FRSWB46F	FRSWB46F

EFR Full KIT Surgical Instruments

Screw Driver

- Connects and fastens the Remover Screw to the fixture
- Recommended tightening torque : regular/wide 100Ncm, mini 80Ncm
- F = Fixture



F	Mini	Regular	Wide
	FRSDM23	FRSDR25	FRSDW30

HIOSSEN KITS

236

Remover Body

- Connects to the Remover Screw to apply torque to remove the fixture
- Select the correct type that matches the diameter of the fixture to be removed
- Disposable; do not re-use
- F = Fixture



F	Mini	Regular	Wide	Wide	Ultra-Wide
Short	FRBM35S	FRBR40S	FRBW50S	FRBW57S	FRBUW60S
Long	FRBM35L	FRBR40L	FRBW50L	FRBW57L	FRBUW60L

Torque Extension

- Extends the length of the screw driver and remover body (by 10mm)



Torque Wrench

- Tightens Screw Driver and removes the fixture using the Remover Body
- Applies up to 400Ncm of torque (markers at 80/100/200/300/400Ncm)
- Torque by pulling the bar back until it reaches the desired torque value marking
- Clean and sterilize for storage



TW400B



Fixture Wrench

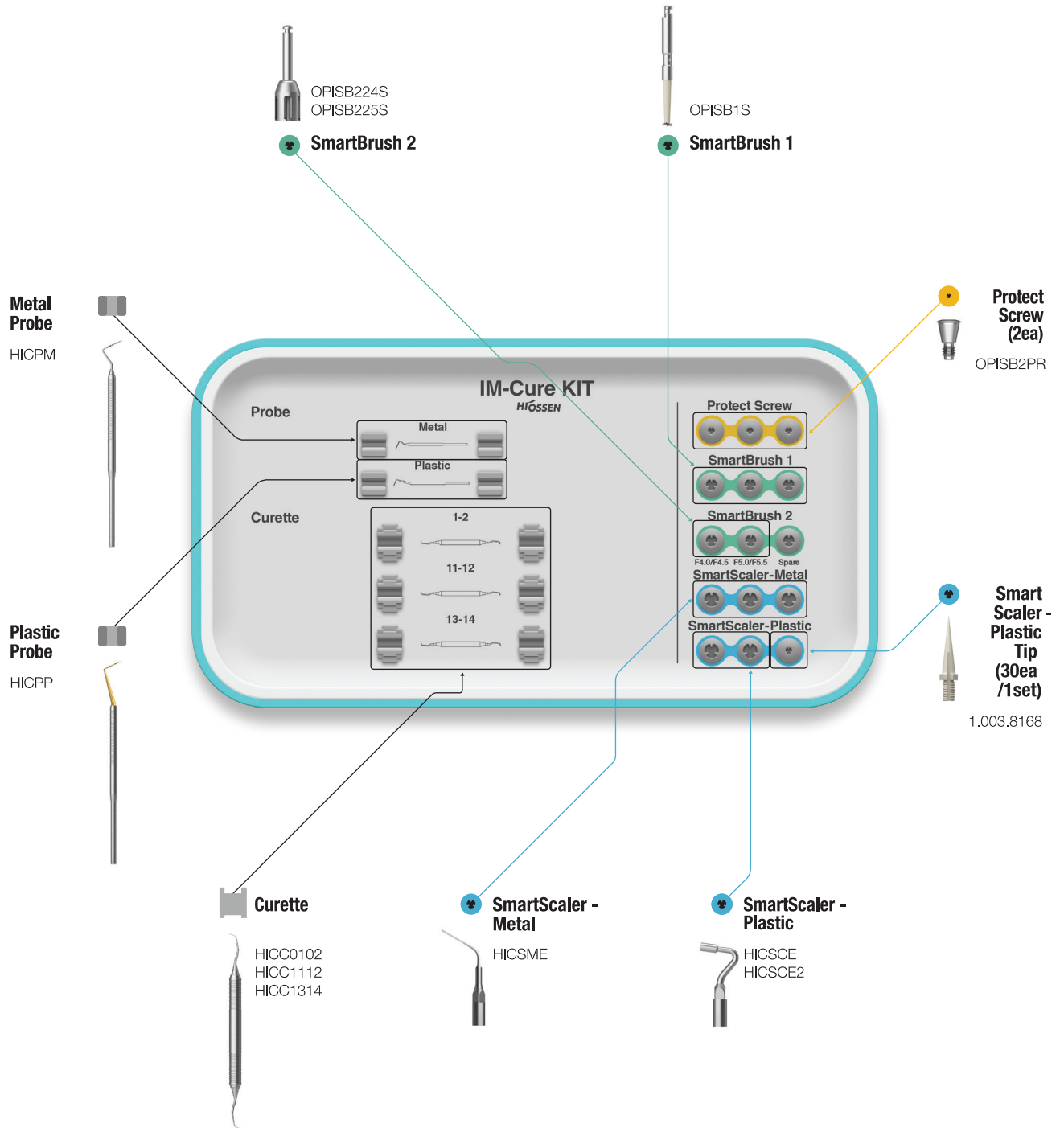
- Wrench used to separate the implant fixture from the Remover Body



FRDFE



IM-Cure KIT (HICK)



IM-Cure KIT Surgical Instruments

Metal Probe

- Help diagnose periodontal disease
- Measures pocket depth/size
- Marking lines of 1mm increments



HICPM

Plastic Probe

- Help diagnose periodontal disease
- Measures pocket depth/size
- Marking lines of 1mm increments
- Plastic material prevents scratches on implant
- Flexible probe makes it ideal for curved shape of alveolar bone
- Autoclavable



HICPP

Plastic Probe

- Tool to remove granulation tissue firmly attached to a specific area
- Gracey curette
- 01-02 : used for removal of anterior tissue
- 11-12 : used for removal of ganglion tissue
- 13-14 : used to remove the tissue from the distal part of posterior teeth



Type	01-02	11-12	13-14
	HICC0102	HICC1112	HICC1314

IM-Cure KIT Surgical Instruments

Protect Screw

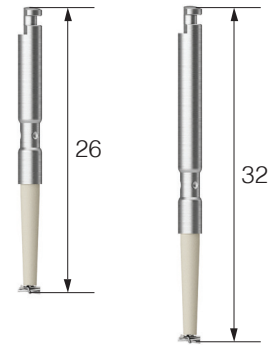
- Protect the fixture's internal connection when using the SmartBrush 2
- Torque Using a 1.2 hex driver, tighten to about 5Ncm



Type	Mini	Regular
	OPISB2PM	OPISB2PR

SmartBrush 1

- Bristle designed for effective debridement of the implant surface
- After removing the patient's prosthesis and abutment, connect the protect screw before using
- Recommended speed : 1,200~1,500rpm
- Recommended use time : approximately 1 minute per screw thread (not recommended over 4 minutes)
- Must use irrigation and suction during polishing
- **Disposable, prohibited reuse (must be discarded after use)**



L	
Short	OPISB1S
Long	OPISB1L

SmartBrush 2

- Debride implant
- After removing the patient's prosthesis and abutment, connect the protect screw before using
- Must use irrigation and suction during polishing
- Recommended speed : 1,200~1,500rpm
- Recommended use time : 1~2 minutes
- Excessive use longer than 3 minutes may cause the product to break or bend



L \ D	F3.0/F3.5	F4.0/F4.5	F5.0/F5.5	F6.0	F7.0
Short	OPISB23S	OPISB24S	OPISB25S	OPISB26S	OPISB27S
Long	OPISB23L	OPISB24L	OPISB25L	OPISB26L	OPISB27L

SmartScaler - Metal

- Used to remove substances such as tartar by connecting it to an ultrasonic scaler
- Secondary use after using SmartBrush 1 or SmartBrush 2
- Easy to bend tip for easy access
- EMS, KaVo, SATELEC specifications

Type	EMS	KaVo	SATELEC
	HICSME	HICSMK	HICSMS



Bendable

SmartScaler - Plastic

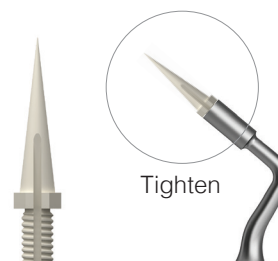
- Used in combination with SmartScaler plastic tip
- Do not use for removal of debris on the fixture surface
- EMS, KaVo, SATELEC specifications
- A = Angle

A \ Type	EMS	KaVo	SATELEC
125°	HICSCE	HICSCK	HICSCS
100°	HICSCE2	HICSCK2	HICSCS2



SmartScaler Plastic Tip

- Used to remove substances from abutment or crown by attaching the SmartScaler
- **Do not use to fixture surface**
- Packing unit : 30 per set



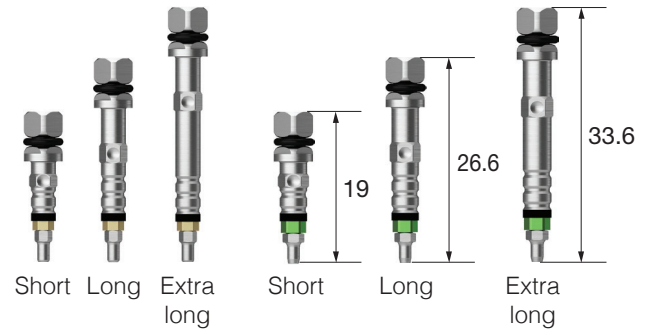
1.003.8168

Surgical Instruments

NoMount Torque Driver for ET

- Directly connects to a ET Implant for placement with a Torque Wrench
- Ensure correct and complete seating before applying torque; loose connection may cause fixture fracture
- C = Connection

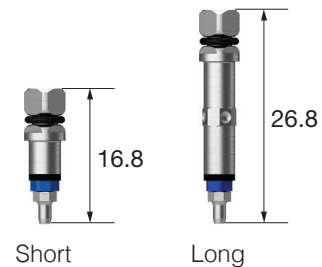
L \ C	Mini	Regular
Short	GSNMT32S	GSNMT35S
Long	GSNMT32L	GSNMT35L
Ex.Long	GSNMT32E	GSNMT35E



NoMount Torque Driver for SS

- Directly connects to a SS Implant for placement with a Torque Wrench
- Ensure correct and complete seating before applying torque; loose connection may cause fixture fracture
- C = Connection

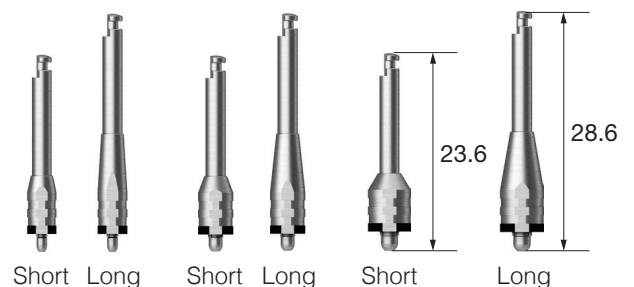
L \ C	Regular/Wide
Short	SSNMT39S
Long	SSNMT39L



NoMount Driver for US

- Driver that is connected to the hand piece when placing a US implant
- C = Connection

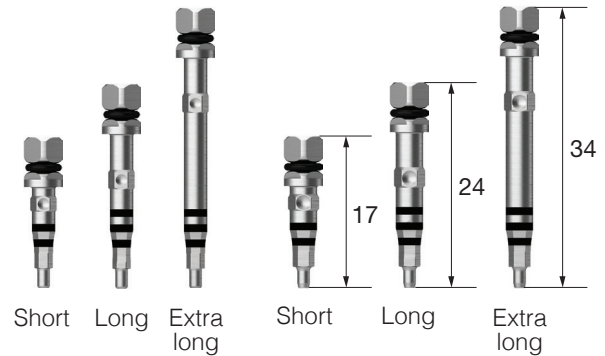
L \ C	Mini	Regular	Wide
Short	USNMD35MS	USNMD41RS	USNMD51WS
Long	USNMD35ML	USNMD41RL	USNMD51WL



Fixture Driver for ET

- Connects directly to an ET fixture for final adjustments to the implant's depth
- C = Connection

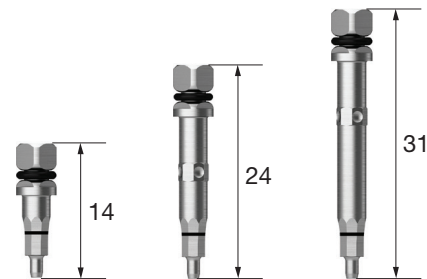
L \ C	Mini	Regular
Short	GSMFDS	GSRFDS
Long	GSMFDL	GSRFDL
Ex.Long	GSMFDE	GSRFDE



Fixture Driver for SS

- Connects directly to a SS fixture for final adjustments to the implant depth
- C = Connection

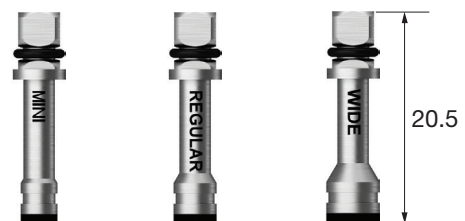
L \ C	Regular/ Wide
Short	SSRFDS
Long	SSRFDL
Ex.Long	SSRFDE



Fixture Driver for US

- Connects directly to an US fixture for final adjustments to the implant's depth
- C = Connection

C	Mini	Regular	Wide
	USMFDL	USRFDL	USWFDL



Surgical Instruments

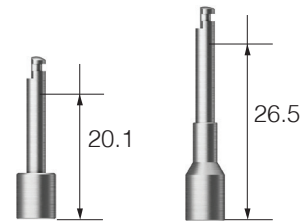
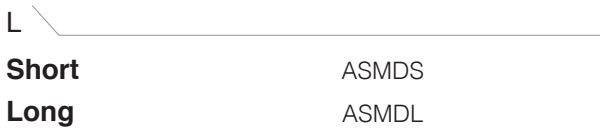
Torque Extension

- Extends the length of an instrument by 10mm
- Connects to the torque wrench



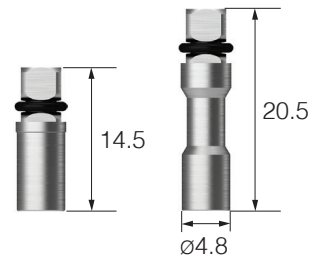
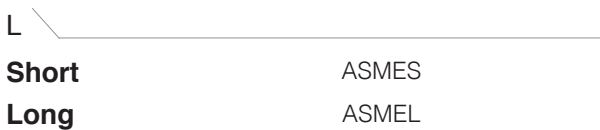
Simple Mount Driver

- Connects to mounted fixtures for placement
- For use with a handpiece/implant motor



Simple Mount Extension

- Extends the length of the simple mount driver and converts it for use with the Torque Wrench



Simple Open Wrench

- Disengages the simple mount when bone quality is poor
- Easy insertion into the mouth with a neck angle of 30°



Removal Tool for Fixture Mount

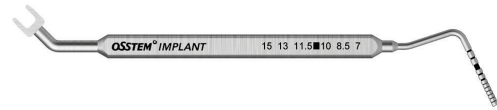
- Removes the mount if the mount becomes wedged in the fixture
- Used with Driver Handle or Torque Wrench
- Remove the mount screw, insert the Removal Tool into the mount, and turn clockwise
- App = Application



App	Mini (ET,US)	Regular (ET,SS,US) / Wide (SS)	Wide (US)
	ERFM	HRRFR	ERFW

Depth Gauge

- Measures drilling depth (7~15mm)

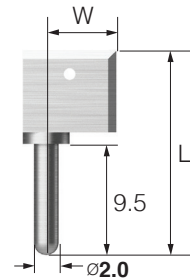


	OSDG
--	------

Positioning Guide

- Help set the drilling interval for fixture insertion
- Insert after initial drilling

W/L	2.5/21.5	6.0/17.5	11/17.5
	APG201	APG202	APG203



Tissue Height Gauge for ET

- Connects to the ET fixture to measure the height of the gingiva in relation to the fixture



	HGTHGS
--	--------

Surgical Instruments

Ratchet Wrench

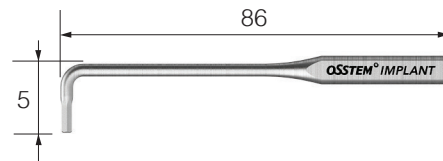
- It prevents wrench from backdriving
- Excessive torquing may cause damage to the bone or the inside of a fixture



CITQW-1185A

L-Wrench

- 1.2 hex driver for hard to reach areas like narrow intermaxillary areas
- Torque indication : when the wrench starts to bend (around 10°), it is possible to apply 5-8Ncm of torque



LWC

Torque Wrench - Spring Type

- Applies a precise amount of torque (10/20/30Ncm) to the screw and abutment
- The neck of the torque wrench will bend when the exact amount of torque has been delivered
- Do not continue to torque after the neck has bent; excessive force may cause screw fracture etc.



TW30

Torque Wrench - Bar Type

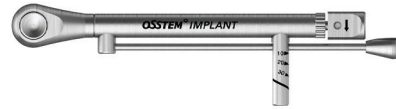
- Adjusts the implant depth, and tightens abutments, screws, etc.
- Pull the bar back until the desired torque value is reached



TW30B

Torque Wrench Set

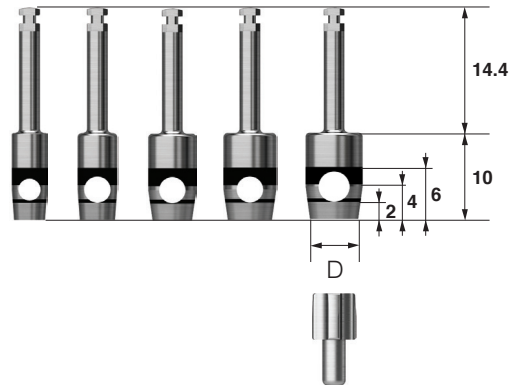
- Bi-directional torque wrench (a torque connector is included)
- Without separating the connector, rotate the handle to apply torque, either in a forward or a backward direction
- Compatible with Osstem's machine driver connector
- Pull the bar back until the desired torque value is reached
- Packing unit : convertible torque wrench + torque connector



MX30

Tissue Punch

- For flapless surgery
- Laser marking to measure the height of gingiva, marked in 2mm increments
- Packing unit : tissue punch + guide pin
- Recommend to use a tissue punch smaller than the healing abutment by 0.7 to 1.5mm



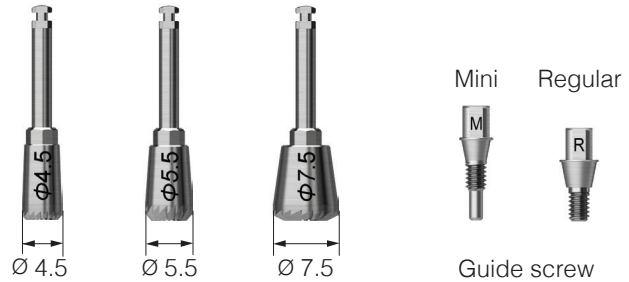
D	Ø3.3	Ø3.8	Ø4.3	Ø4.8	Ø5.3
	OSTP33	OSTP38	OSTP43	OSTP48	OSTP53
ET	Ø 4.0/4.5	Ø 4.5/5.0	Ø 5.0	Ø 6.0	Ø 6.0
SS	-	Ø 4.8	-	Ø 6.0	Ø 6.0
US	Ø 4.0	Ø 5.0	Ø 5.0	Ø 6.0	Ø 6.0

Application healing abutment standard

Surgical Instruments

ET Bone Profiler

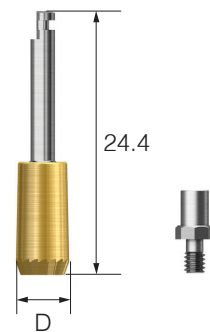
- Used to remove bone around the fixture after first or second stage surgery
- Connect the Guide Screw to the fixture in order to center the profiler
- Guide screw protects the fixture's platform from damage
- Packing unit : bone profiler + guide screw
- C = Connection



C \ D (Healing Abutment)	Ø4.5	Ø5.5	Ø6.5 / 7.5
Mini / Regular	GSBP45	GSBP55	GSBP75
	Mini + Regular guide screw	Mini + Regular guide screw	Regular guide screw

US Bone Profiler

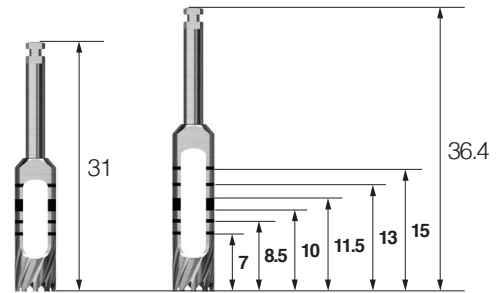
- Used to remove bone around the fixture after first or second stage surgery
- Connect the Guide Screw to the fixture in order to center the profiler
- Guide screw protects the fixture's hex from damage
- Packing unit : bone profiler + guide screw
- P = Platform



D \ P	Mini	Regular	Wide	T-type
Ø4.0	ABPM400C	-	-	-
Ø5.0	ABPM500C	ABPR500C	-	-
Ø6.0	-	ABPR600C	ABPW600C	TBPW600C
Ø7.0	-	-	ABPW700C	-

Trephine Drill

- Harvests bone or removes a failed fixture
- Used to remove septal bone
- Can also be used as the initial drill for ultra-wide fixtures



L \ D (Inner / Outer)	3.7 / 4.5	4.2 / 5.0	4.7 / 5.5	5.2 / 6.0	5.7 / 6.5	6.2 / 7.0
Short	TD37S	TD42S	TD47S	TD52S	TD57S	TD62S
Long	TD37	TD42	TD47	TD52	TD57	TD62

Machine Driver Handle

- Tool used convert engine type surgical tools into a manual type

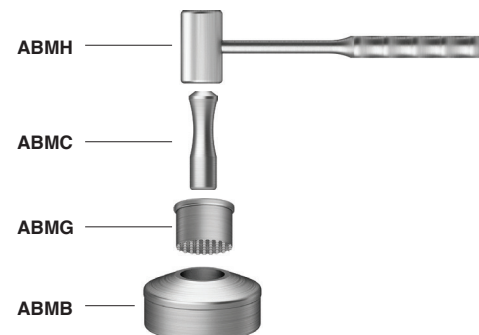


OMDH

Bone Mill

- Grinds harvested autogenous bone

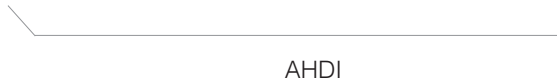
ABM



Surgical Instruments

Anterior Hand Driver for Implant

- Manually torque implants in the anterior area
- Connect to a NoMount torque driver or a fixture driver
- Excessive torque may cause damage to the fixture and/or driver



Torque Handle

- Connectable to a contra-angle handpiece (Hand-Piece gear ratio to 1:1)
- Used to connect healing abutments, cover screws, abutment screws, orthodontic screws, etc. (Note: after connecting, make sure that it is tightened with a torque wrench)
- Excessive torque may cause damage to the screw and/or hand piece



HIOSSSEN[®]
I M P L A N T



EQUIPMENT

IMPLANT MOTOR

254 SM3

256 SM5

ISQ MEASUREMENT

258 IS3

WIRELESS PROSTHETIC DRIVER

263 e-Driver

DENTAL UNIT CHAIR

264 K3 NEXT

SM3 Implant Motor

Unit

- High Precision Calibration
- Offers Advanced Technology
- Compact Body and Large LCD Display
- LED Optics for Safe, More Accurate Treatment
- Well-Balanced, with a compact and light weight micro-motor

SM3US1



Component : Irrigation Tube

- SM3 Irrigation Tube (5 packs) - Disposable

Y900113

Component : Irrigation Tube

- SM3 Irrigation Tube (10 packs) - Disposable

Y900114

HIOSSEN[®]
I M P L A N T

SM5 Implant Motor

Unit

- Intelligent Power and Precise Torque
- One Touch Auto-Calibration
- Simple User Friendly Operation
- Better Accessibility and Ergonomics
- Alleviation of Work through Programmable Workflows



SM5US1

Component : SURGmatic S11L

- Product Name : S11L
- Transmission : 1:1
- Maximum Speed : 40,000rpm
- Maximum Torque : 5.5Ncm
- For use with handpiece burs of 44.5 mm standard length and can also be used with contra-angle burs using the included backstop



S600LED

Component: Hand Piece SURGmatic S201L (with light)

- Product Name : S201L
- Reduction ratio 20:1
- Removable head, easy to clean
- Small head with internal cooling system
- Speed: 15 – 2,000 rpm
- Maximum torque: 55 Ncm

1.012.1870



Component: Irrigation Tube-Disposable

- Tube Set Sterile S600 (10EA) - Disposable

1.009.8757

Component: Irrigation Tube-Reusable

- Tube Set Multiuse S600 (2EA) - Reusable

1.011.0633

IS3™ ISQ Measurement

IS3™

- Resonance Frequency Analysis (RFA)
- Implant Stability Quotient (ISQ)
- Raise the implant success ratio with accurate diagnostic
- High Accuracy Measurement Result
- Determines optimal loading protocol
- Hand held instrument with single key operation

55002-HM



MulTipeg™

- Up to 20 times without any deviation
- Reusable, auto-clavable, calibrated, and compatible with all major implant systems
- Optical Platform Fit



MulTipeg™ Assortment

NO	PRODUCT	SPEC 1	SPEC 2	ITEM CODE
1	IS3 - MulTipeg™ Assortment	ADIN	Touareg-S	55034
2	IS3 - MulTipeg™ Assortment	ADIN	Touareg Closefit UNP 2.75	55059
3	IS3 - MulTipeg™ Assortment	ADIN	Touareg Closefit NP 3.0	55059
4	IS3 - MulTipeg™ Assortment	AIRES	3.3	55049
5	IS3 - MulTipeg™ Assortment	Alpha-Bio	Regular Platform	55034
6	IS3 - MulTipeg™ Assortment	Alpha-Bio	Conical Platform	55065
7	IS3 - MulTipeg™ Assortment	Alpha Dent	Narrow 3.0	55039
8	IS3 - MulTipeg™ Assortment	Anker	SB II Narrow	55023
9	IS3 - MulTipeg™ Assortment	Anker	SB III 3.5	55023
10	IS3 - MulTipeg™ Assortment	Anker	SB III 4.0-5.0	55020
11	IS3 - MulTipeg™ Assortment	Ankylos	C/X	55025
12	IS3 - MulTipeg™ Assortment	Anthogyr	Axiom, all	55065
13	IS3 - MulTipeg™ Assortment	Argon	K3pro Rapid 3.0 - 3.5	55026
14	IS3 - MulTipeg™ Assortment	Argon	K3pro Rapid 4.0 - 6.0	55031
15	IS3 - MulTipeg™ Assortment	Argon	K3pro Rapid Platf 3mm Short	55044
16	IS3 - MulTipeg™ Assortment	Astra Tech	Osseospeed EV 3.0	55058
17	IS3 - MulTipeg™ Assortment	Astra Tech	Osseospeed EV 3.6	55046
18	IS3 - MulTipeg™ Assortment	Astra Tech	Osseospeed EV 4.2	55057
19	IS3 - MulTipeg™ Assortment	Astra Tech	Osseospeed EV 4.8	55055
20	IS3 - MulTipeg™ Assortment	Astra Tech	Osseospeed EV 5.4	55048
21	IS3 - MulTipeg™ Assortment	Astra Tech	Osseospeed TX 3.0 S	55064
22	IS3 - MulTipeg™ Assortment	Astra Tech	Osseospeed TX 3.5-4.0 S	55046
23	IS3 - MulTipeg™ Assortment	Astra Tech	Osseospeed TX 4.5-5.0 S	55017
24	IS3 - MulTipeg™ Assortment	Avinent	External, Coral & Ocean 3.5	55038
25	IS3 - MulTipeg™ Assortment	Avinent	External, Coral & Ocean 4.1	55011
26	IS3 - MulTipeg™ Assortment	Avinent	External, Coral 5.1	55013
27	IS3 - MulTipeg™ Assortment	Avinent	Internal, Coral & Ocean 3.5, 4.1	55051
28	IS3 - MulTipeg™ Assortment	Avinent	Conical, Ocean 3.5	55066
29	IS3 - MulTipeg™ Assortment	Avinent	Conical, Ocean 4.1	55004
30	IS3 - MulTipeg™ Assortment	BEGO	Semados Mini	55012
31	IS3 - MulTipeg™ Assortment	BEGO	Semados S / RI 3.25-5.5	55034
32	IS3 - MulTipeg™ Assortment	BEGO	Semados RS / RSX 3.0	55082
33	IS3 - MulTipeg™ Assortment	BEGO	Semados RS / RSX 3.75-5.5	55034
34	IS3 - MulTipeg™ Assortment	BEGO	Semados SC / SCX 3.25-5.5	55034
35	IS3 - MulTipeg™ Assortment	BioHorizons	Laser-Lok 3.0	55034
36	IS3 - MulTipeg™ Assortment	BioHorizons	Internal Laser-Lok 3.5 Platform	55049
37	IS3 - MulTipeg™ Assortment	BioHorizons	Internal Laser-Lok 4.5 Platform	55051
38	IS3 - MulTipeg™ Assortment	BioHorizons	Internal Laser-Lok 5.7 Platform	55051
39	IS3 - MulTipeg™ Assortment	BioHorizons	External 4.0 Platform	55011
40	IS3 - MulTipeg™ Assortment	Biomet/3i	Certain internal Purple	55036
41	IS3 - MulTipeg™ Assortment	Biomet/3i	Certain internal Purple Platform 3.4	55066
42	IS3 - MulTipeg™ Assortment	Biomet/3i	Certain internal Blue, Yellow, Green	55066
43	IS3 - MulTipeg™ Assortment	Bionnovation	Biomorse	55023
44	IS3 - MulTipeg™ Assortment	Biotech Dental	Kontakt, Kontakt-S 3.6 - 4.8	55045
45	IS3 - MulTipeg™ Assortment	Biotrinon	Octagono int	55011
46	IS3 - MulTipeg™ Assortment	Biotrinon	Hex externo	55014
47	IS3 - MulTipeg™ Assortment	BluSkyBio	Internal Hex, Platform 4.5	55051
48	IS3 - MulTipeg™ Assortment	BluSkyBio	One Stage, Regular & Wide	55014
49	IS3 - MulTipeg™ Assortment	Bredent	SKY	55025
50	IS3 - MulTipeg™ Assortment	Bredent	copaSKY	55027
51	IS3 - MulTipeg™ Assortment	Bredent	mini2SKY	55033
52	IS3 - MulTipeg™ Assortment	Bredent	fast & fixed Abutment	55083
53	IS3 - MulTipeg™ Assortment	BTI	Interna Universal	55051
54	IS3 - MulTipeg™ Assortment	BTI	Interna Wide	55051
55	IS3 - MulTipeg™ Assortment	BTK	External Hex EN	55038
56	IS3 - MulTipeg™ Assortment	BTK	External Hex ER	55011
57	IS3 - MulTipeg™ Assortment	BTK	External Hex EW	55011
58	IS3 - MulTipeg™ Assortment	BTK	Internal Hex IR	55049
59	IS3 - MulTipeg™ Assortment	BTK	Internal Hex IM	55051
60	IS3 - MulTipeg™ Assortment	BTK	Internal Hex IW	55051
61	IS3 - MulTipeg™ Assortment	BTK	Hexagonal Morse Taper KR	55081

MulTipeg™ Assortment

62	IS3 - MulTipeg™ Assortment	BTK	Hexagonal Morse Taper KW	55056
63	IS3 - MulTipeg™ Assortment	BTK	Octagonal Morse Taper SR	55014
64	IS3 - MulTipeg™ Assortment	Camlog	Screw-Line, Root-Line 3.3	55036
65	IS3 - MulTipeg™ Assortment	Camlog	Screw-Line, Root-Line 3.8, 4.3	55031
66	IS3 - MulTipeg™ Assortment	Camlog	Screw-Line, Root-Line 5.0, 6.0	55032
67	IS3 - MulTipeg™ Assortment	Camlog	iSy	55065
68	IS3 - MulTipeg™ Assortment	Conelog	Screw-Line 3.3	55066
69	IS3 - MulTipeg™ Assortment	Conelog	Screw-Line 3.8, 4.3	55066
70	IS3 - MulTipeg™ Assortment	Conelog	Screw-Line 5.0	55075
71	IS3 - MulTipeg™ Assortment	Dentack	Internal Hex	55056
72	IS3 - MulTipeg™ Assortment	Dentegris	3.3	55034
73	IS3 - MulTipeg™ Assortment	Dentegris	3.75	55057
74	IS3 - MulTipeg™ Assortment	Dentegris	3.8/4.5	55049
75	IS3 - MulTipeg™ Assortment	Dentegris	5.5	55020
76	IS3 - MulTipeg™ Assortment	C-Tech	EL	55067
77	IS3 - MulTipeg™ Assortment	Dentium	Superline	55037
78	IS3 - MulTipeg™ Assortment	Dentium	NR Line	55066
79	IS3 - MulTipeg™ Assortment	Dentium	Simple Line II GH 1,6	55014
80	IS3 - MulTipeg™ Assortment	DEVA	Bone Level 3.5	55064
81	IS3 - MulTipeg™ Assortment	DEVA	Bone Level 4.5	55051
82	IS3 - MulTipeg™ Assortment	DIO	SM Submerged 3.8	55049
83	IS3 - MulTipeg™ Assortment	DIO	SM Submerged 5.0	55020
84	IS3 - MulTipeg™ Assortment	Easy Implant	Ocean	55046
85	IS3 - MulTipeg™ Assortment	Easy Implant	Lilas	55037
86	IS3 - MulTipeg™ Assortment	Edierre	3-lobe	55021
87	IS3 - MulTipeg™ Assortment	Edierre	4-lobe	55025
88	IS3 - MulTipeg™ Assortment	Global D	In-Kone 4.0-5.0	55024
89	IS3 - MulTipeg™ Assortment	gmi	avantgard RP 3.75-4.25	55066
90	IS3 - MulTipeg™ Assortment	gmi	avantgard WP 4.75-5.75	55075
91	IS3 - MulTipeg™ Assortment	gmi	frontier RP,WP	55051
92	IS3 - MulTipeg™ Assortment	gmi	phoenix NP 3.3	55038
93	IS3 - MulTipeg™ Assortment	gmi	phoenix Std 3.3 - Wide 5.0	55011
94	IS3 - MulTipeg™ Assortment	Hahn	Tapered 3.0	55058
95	IS3 - MulTipeg™ Assortment	Hahn	Tapered 3.5	55046
96	IS3 - MulTipeg™ Assortment	Hahn	Tapered 4.3	55046
97	IS3 - MulTipeg™ Assortment	Hahn	Tapered 5.0	55037
98	IS3 - MulTipeg™ Assortment	Hahn	Tapered 7.0	55048
99	IS3 - MulTipeg™ Assortment	Hiossen	ET Standard	55037
100	IS3 - MulTipeg™ Assortment	Hiossen	ET D 3.2	55047
101	IS3 - MulTipeg™ Assortment	Hiossen	ET mini	55015
102	IS3 - MulTipeg™ Assortment	IDI Evolution	Standard implant 3.75-4.0	55004
103	IS3 - MulTipeg™ Assortment	Implance	Tissue level	55014
104	IS3 - MulTipeg™ Assortment	Implance	Bone level Regular	55037
105	IS3 - MulTipeg™ Assortment	Implance	Bone level 3.3	55065
106	IS3 - MulTipeg™ Assortment	Implant Direct	Legacy 2&3&4 3.0/3.2	55012
107	IS3 - MulTipeg™ Assortment	Implant Direct	Legacy 2&3&4 3.5/3.7 - 5.7/7.0	55051
108	IS3 - MulTipeg™ Assortment	Implant Swiss	Tissue level	55014
109	IS3 - MulTipeg™ Assortment	Implant Swiss	Bone level Regular	55037
110	IS3 - MulTipeg™ Assortment	Implant Swiss	Bone level 3.3	55065
111	IS3 - MulTipeg™ Assortment	Implantvision	Internal Hex 3.7-5.7	55034
112	IS3 - MulTipeg™ Assortment	Intra-lock	Intra-hex 3.4 - 4.5	55051
113	IS3 - MulTipeg™ Assortment	Intra-lock	Gold & Blue 3.4 - 6.0	55051
114	IS3 - MulTipeg™ Assortment	Intra-lock	InDex 3.4 - 3.75	55015
115	IS3 - MulTipeg™ Assortment	Intra-lock	InDex 4.0 - 4.3	55020
116	IS3 - MulTipeg™ Assortment	J Dental Care	JDEvolution 3.7-6.0	55067
117	IS3 - MulTipeg™ Assortment	Keystone	Prima / Genesis Narrow	55049
118	IS3 - MulTipeg™ Assortment	Keystone	Prima / Genesis Regular	55067
119	IS3 - MulTipeg™ Assortment	Keystone	Prima / Genesis Wide	55041
120	IS3 - MulTipeg™ Assortment	Keystone	Restore Narrow	55079
121	IS3 - MulTipeg™ Assortment	Keystone	Restore Regular	55011
122	IS3 - MulTipeg™ Assortment	Keystone	Restore Wide	55013
123	IS3 - MulTipeg™ Assortment	Klockner	VEGA Micro 3.0	55074

124	IS3 - Multipeg™ Assortment	Klockner	VEGA Narrow 3.5	55065
125	IS3 - Multipeg™ Assortment	Klockner	VEGA Regular 4.0, 4.5	55034
126	IS3 - Multipeg™ Assortment	Klockner	KL Narrow 3.3	55012
127	IS3 - Multipeg™ Assortment	Klockner	KL Regular 3.7, 4.2	55011
128	IS3 - Multipeg™ Assortment	Klockner	KL Wide 4.7	55013
129	IS3 - Multipeg™ Assortment	Klockner	SK2	55038
130	IS3 - Multipeg™ Assortment	Klockner	Essential Cone	55067
131	IS3 - Multipeg™ Assortment	Klockner	S3M 3.1	55079
132	IS3 - Multipeg™ Assortment	Konmet	Classic 4.0, 4.8	55014
133	IS3 - Multipeg™ Assortment	Konmet	Cylindrical 3.5-4.0	55065
134	IS3 - Multipeg™ Assortment	Konmet	Cylindrical 4.5-5.5	55057
135	IS3 - Multipeg™ Assortment	Konmet	Short Cylindrical 5.0-6.0	55078
136	IS3 - Multipeg™ Assortment	Konmet	Conical 4.4/3.4	55065
137	IS3 - Multipeg™ Assortment	Konmet	Conical 4.8/3.8, 5.5/4.5	55057
138	IS3 - Multipeg™ Assortment	Lasak	BioniQ QR	55066
139	IS3 - Multipeg™ Assortment	Lasak	BioniQ QN	55021
140	IS3 - Multipeg™ Assortment	Leader	Internal Hex, 3.3 - 5.5 mm	55034
141	IS3 - Multipeg™ Assortment	Leader	Cono-In	55067
142	IS3 - Multipeg™ Assortment	Maxillent	iRaise	55049
143	IS3 - Multipeg™ Assortment	Medentika	Microcone NI	55021
144	IS3 - Multipeg™ Assortment	Medentika	Microcone RI	55081
145	IS3 - Multipeg™ Assortment	Medentika	Quattrocone RI	55081
146	IS3 - Multipeg™ Assortment	Medical Instinct	Hex3.4, 4.0, 5.0	55052
147	IS3 - Multipeg™ Assortment	Medimecca	PT SLA Chaorum	55047
148	IS3 - Multipeg™ Assortment	Megagen	Anyridge	55051
149	IS3 - Multipeg™ Assortment	MIS	Conical connection Narrow (C1, V3)	55081
150	IS3 - Multipeg™ Assortment	MIS	Conical connection Standard (C1, V3)	55067
151	IS3 - Multipeg™ Assortment	MIS	Conical connection Wide (C1)	55041
152	IS3 - Multipeg™ Assortment	MIS	Seven and M4 Narrow	55027
153	IS3 - Multipeg™ Assortment	MIS	Seven and M4 Standard	55049
154	IS3 - Multipeg™ Assortment	MIS	Seven Wide 5.0	55051
155	IS3 - Multipeg™ Assortment	Neo Biotech	IS II 4.0	55020
156	IS3 - Multipeg™ Assortment	Neo Biotech	IS III 4.0	55020
157	IS3 - Multipeg™ Assortment	Neodent	Drive CM	55025
158	IS3 - Multipeg™ Assortment	Neodent	Titamax WS Cortical	55056
159	IS3 - Multipeg™ Assortment	Neoss	Diameter 3.5-5.5	55004
160	IS3 - Multipeg™ Assortment	Neoss	Diameter 3.25	55027
161	IS3 - Multipeg™ Assortment	Neoss	Access Abutment	55060
162	IS3 - Multipeg™ Assortment	Nobel Biocare	Brånemark System Ext hex RP	55011
163	IS3 - Multipeg™ Assortment	Nobel Biocare	Brånemark System Ext hex NP	55012
164	IS3 - Multipeg™ Assortment	Nobel Biocare	Brånemark System Ext hex WP	55013
165	IS3 - Multipeg™ Assortment	Nobel Biocare	Replace Select Tri-lobe NP	55022
166	IS3 - Multipeg™ Assortment	Nobel Biocare	Replace Select Tri-lobe RP, WP	55010
167	IS3 - Multipeg™ Assortment	Nobel Biocare	Replace Select Tri-lobe 6.0	55032
168	IS3 - Multipeg™ Assortment	Nobel Biocare	Nobel Active 3.0	55058
169	IS3 - Multipeg™ Assortment	Nobel Biocare	Nobel Active Narrow	55046
170	IS3 - Multipeg™ Assortment	Nobel Biocare	Nobel Active Regular	55037
171	IS3 - Multipeg™ Assortment	Nobel Biocare	Nobel Active Wide 5.5	55048
172	IS3 - Multipeg™ Assortment	Nobel Biocare	MUA NP & RP	55080
173	IS3 - Multipeg™ Assortment	NucleOss	Tpure Bone Level	55074
174	IS3 - Multipeg™ Assortment	NucleOss	T6 Bonel Level	55004
175	IS3 - Multipeg™ Assortment	OCO Biomedical	Engage 3.25	55027
176	IS3 - Multipeg™ Assortment	OCO Biomedical	Engage 4.0-6.0	55051
177	IS3 - Multipeg™ Assortment	OCO Biomedical	ERI 3.25	55069
178	IS3 - Multipeg™ Assortment	OCO Biomedical	ERI 4.0-5.0	55014
179	IS3 - Multipeg™ Assortment	OCO Biomedical	TSI 3.25	55068
180	IS3 - Multipeg™ Assortment	OCO Biomedical	TSI 4.0-5.0	55011
181	IS3 - Multipeg™ Assortment	Osstem	US Regular	55011
182	IS3 - Multipeg™ Assortment	Osstem	US Mini	55012
183	IS3 - Multipeg™ Assortment	Osstem	US Wide	55013
184	IS3 - Multipeg™ Assortment	Osstem	US Wide PS	55011
185	IS3 - Multipeg™ Assortment	Osstem	SS Regular, Wide	55028

MulTipeg™ Assortment

186	IS3 - MulTipeg™ Assortment	Osstem	TS Regular, Reg Short, Diam 6 & 7	55037
187	IS3 - MulTipeg™ Assortment	Osstem	TS Mini 3.5	55015
188	IS3 - MulTipeg™ Assortment	Osstem	TS Mini 3.0	55047
189	IS3 - MulTipeg™ Assortment	Paltop	Standard 3.75-5.0	55034
190	IS3 - MulTipeg™ Assortment	Paltop	Narrow	55027
191	IS3 - MulTipeg™ Assortment	Paltop	PCA Conical	55066
192	IS3 - MulTipeg™ Assortment	Phibo	Aurea EVO NP	55027
193	IS3 - MulTipeg™ Assortment	Phibo	Aurea EVO RP, WP	55051
194	IS3 - MulTipeg™ Assortment	Phibo	TSA S3	55074
195	IS3 - MulTipeg™ Assortment	Phibo	TSA S4, S5	55034
196	IS3 - MulTipeg™ Assortment	Phibo	TSH S3, S4, S5	55011
197	IS3 - MulTipeg™ Assortment	Prodent Italia	Prime, Twinner: Orange Platform 3.3	55027
198	IS3 - MulTipeg™ Assortment	Prodent Italia	Prime, Twinner: Fuchsia Platform	55051
199	IS3 - MulTipeg™ Assortment	Prodent Italia	Prime, Twinner: Green Platform 4.0	55051
200	IS3 - MulTipeg™ Assortment	Prodent Italia	Prime, Twinner: Yellow Platform 4.5	55020
201	IS3 - MulTipeg™ Assortment	Prodent Italia	Prime: Blue Platform 5.0	55020
202	IS3 - MulTipeg™ Assortment	Resista	WIS 3.0-5.0	55049
203	IS3 - MulTipeg™ Assortment	Schutz Dental	Impla cylindrical	55052
204	IS3 - MulTipeg™ Assortment	SIC	Ace 3.4 - 5.0	55052
205	IS3 - MulTipeg™ Assortment	SIC	Vantage 4.2-5.2	55054
206	IS3 - MulTipeg™ Assortment	Southern Implants	Tri-Nex 4.3-5.0	55010
207	IS3 - MulTipeg™ Assortment	Southern Implants	Tri-Nex 3.5	55022
208	IS3 - MulTipeg™ Assortment	Southern Implants	External Hex	55011
209	IS3 - MulTipeg™ Assortment	Southern Implants	MAX Ext Hex	55011
210	IS3 - MulTipeg™ Assortment	Southern Implants	Co-Axis Ext Hex	55011
211	IS3 - MulTipeg™ Assortment	Southern Implants	Piccolo Ext Hex	55050
212	IS3 - MulTipeg™ Assortment	Southern Implants	IT-Connection	55014
213	IS3 - MulTipeg™ Assortment	Southern Implants	Deep Conical 3.0	55064
214	IS3 - MulTipeg™ Assortment	Southern Implants	Deep Conical 3.5-4.0	55046
215	IS3 - MulTipeg™ Assortment	Spiral Tech	ESi, all	55051
216	IS3 - MulTipeg™ Assortment	Spiral Tech	Ultimate	55051
217	IS3 - MulTipeg™ Assortment	Spiral Tech	Esi, Conical 3.5	55044
218	IS3 - MulTipeg™ Assortment	Spiral Tech	Esi Conical 4.3, 5.0	55037
219	IS3 - MulTipeg™ Assortment	Straumann	Tissue level Synocta	55014
220	IS3 - MulTipeg™ Assortment	Straumann	Tissue level NNC	55076
221	IS3 - MulTipeg™ Assortment	Straumann	Bone level / BLT NC	55061
222	IS3 - MulTipeg™ Assortment	Straumann	Bone level / BLT RC	55062
223	IS3 - MulTipeg™ Assortment	Straumann	Bone Level /BLT SC	55064
224	IS3 - MulTipeg™ Assortment	Sweden & Martina	Syra, Syra SP 3.9-5.0	55011
225	IS3 - MulTipeg™ Assortment	Sweden & Martina	Outlink2 3.75, 4.10, 5.0	55011
226	IS3 - MulTipeg™ Assortment	Sweden & Martina	Shelta 3.8-5.0	55025
227	IS3 - MulTipeg™ Assortment	Sweden & Martina	Premium Straight & SP 3.3-3.8	55025
228	IS3 - MulTipeg™ Assortment	Sweden & Martina	Kohno Straight & SP 3.3-3.8	55025
229	IS3 - MulTipeg™ Assortment	Sweden & Martina	Premium Straight & SP 4.25-6.0	55004
230	IS3 - MulTipeg™ Assortment	Sweden & Martina	Kohno Straight & SP 4.25-6.0	55004
231	IS3 - MulTipeg™ Assortment	Sweden & Martina	Prama 3.8 - 5.0	55079
232	IS3 - MulTipeg™ Assortment	Tag Dental	Axis	55051
233	IS3 - MulTipeg™ Assortment	Tag Dental	massif	55051
234	IS3 - MulTipeg™ Assortment	Thommen	SPI 3.5	55021
235	IS3 - MulTipeg™ Assortment	Thommen	SPI 4.0	55065
236	IS3 - MulTipeg™ Assortment	Thommen	SPI 4.5-6.0	55066
237	IS3 - MulTipeg™ Assortment	TRI Dental implants	Tissue level Octa	55014
238	IS3 - MulTipeg™ Assortment	TRI Dental implants	Tri-Vent, all	55034
239	IS3 - MulTipeg™ Assortment	TRI Dental implants	Narrow	55025
240	IS3 - MulTipeg™ Assortment	Vulkan	Internal Hex	55034
241	IS3 - MulTipeg™ Assortment	Vulkan	External Hex NP	55012
242	IS3 - MulTipeg™ Assortment	Vulkan	External Hex RP	55011
243	IS3 - MulTipeg™ Assortment	Vulkan	Conical con NP	55058
244	IS3 - MulTipeg™ Assortment	Vulkan	Conical con MiP	55046
245	IS3 - MulTipeg™ Assortment	Xive	S-Plus 3.0	55030
246	IS3 - MulTipeg™ Assortment	Xive	S-Plus 3.4	55061
247	IS3 - MulTipeg™ Assortment	Xive	S-Plus 3.8-5.5	55062
248	IS3 - MulTipeg™ Assortment	Xive	TG Plus 3.4-4.5	55018
249	IS3 - MulTipeg™ Assortment	Zimmer	Screw-Vent, Tapered Screw-Vent 3.7	55049
250	IS3 - MulTipeg™ Assortment	Zimmer	Screw-Vent, Tapered Screw-Vent 4.7	55051
251	IS3 - MulTipeg™ Assortment	Zuga	All	55027

e-Driver Wireless Prosthetic Driver

e-Driver

- Powerful and accurate torque implementation (5~35Ncm)
- Speed adjustable (15~60rpm)
- Orthoanchor fracture prevention and precise positioning
- Convenience for abutment tightening and minimization of screw loosening

OSM-TORQ



K3 NEXT Dental Unit Chair

K3 Next

- Patient Chair - High Performance Hydraulic Motor with noise filter
- Cuspidor Unit - Water and air delivery and intake & outtake unit connection to junction box
- Doctor Table / Delivery System - Holds various Hand-Piece and master control unit with LCD display
- Assistant delivery system - Controls the chair's movement / Holds instruments
- LED Dental Light - Touchless on/off sensor
- Foot Control - Controls chair positioning and Hand-Piece



K3 NEXT Dental Unit Chair Components

K3 Smart Delivery System (Mount)

- Display all your settings on the 4.3" color LCD Hand-piece
 - Water Controller
 - 3-way Syringe
 - 2 High speed Connection
 - 1 Low speed Connection
 - Built-in Ultrasonic Scaler (Included)



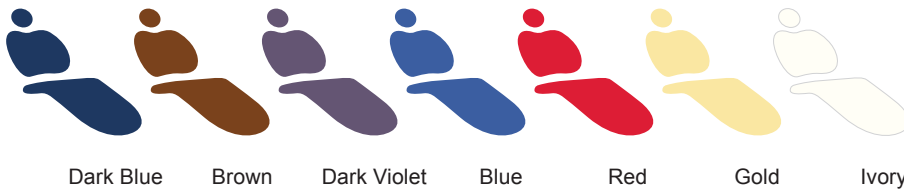
Mount Option

Low-Speed Hand-Piece (2 Options)

- Air Turbine Type
 - Avg. 22,000
 - Air / Less Heat
- Electric Turbine Type
 - Avg. 32,000
 - Electricity

Color Options

- The K3 is available in a wide range of colorful options guaranteed to match any clinic interior.





SURGICAL HAND INSTRUMENTS

KARL SCHUMACHER

268 KSD Implant Kit

270 KSD Basic Kit

DOWELL

272 DOWELL Implant Kit

273 DOWELL Basic Kit

Surgical Hand Instruments

Karl Schumacher Implant Kit

- Instruments hand-selected by Hiossen's AIC course directors
- 13 Instruments with sterilization cassette
- Ideal for implant related procedures

KIT0611



Karl Schumacher Implant Kit: Contents

No	item Code	Description	Remark
1	CAS6001	Stainless Steel Cassette #6001, Large, Gray Inserts, 11 X 8 X 1.25 In	STANDARD
2	PEL0623D	Seldin Periosteal Elevator #23D, Large Flap Retractor / Small Flap Retractor	STANDARD
3	PEL0715	Molt #9 Periosteal Elevator #715, Standard Periosteal / Pointed Periosteal	STANDARD
4	MOC0024	Molt Curette #24, 3.8mm Wide X 6.5mm Long Spoon / 8.6mm Wide X 6.0mm Long Spoon	STANDARD
5	SCI0665SC	Iris Scissors #665, Curved, 11.5cm, Super-Cut	STANDARD
6	BCU0710S	Serrated Lucas Surgical Bone Curette #710S, 2.25mm Wide	STANDARD
7	TIF0762	Gerald Tissue Forceps, 1X2 Teeth, Straight, 18cm	STANDARD
8	SYR0001	Aspirating Syringe, 1.8MI, Cooke-Waite Style	STANDARD
9	HDL0493C	Mirror Handle #493C, Cone Socket, Handform, 13.5cm	STANDARD
10	MIR0005CF	Mirror #5, Ø24mm, Cone Socket, Front Surface, Ea.	STANDARD
11	CPL0561	Cotton Pliers #561, Angled, No Lock, 15cm	STANDARD
12	EXP6305N	Explorer #05N, Shepherd's Hook / Double Curved Shank, Mini Tip (23 - 17), #6 Handle	STANDARD
13	NEE0690	Crile-Wood Needle Holder #690, TC, 15cm	STANDARD
14	HDL0605	Scalpel Handle #605, (Bard Parker #3), Flat w/ 60mm Markings, 12.5cm	STANDARD
15	NEE0001	Castroviejo Needle Holder (Replace No.13 NEE0690)	OPTION
16	HDL0428	Drop Blade Scalpel Handle (Replace No.14 HDL0605)	OPTION

Karl Schumacher Implant Kit Selections

No	item Code	Content	Remark
1	KIT0611	#1~#14	Standard.
2	KIT0611A	#1~#13, #16	#16. Drop Blade Scalpel Handle Incl. (#14. HDL0605 Excl.)
3	KIT0611B	#1~#12, #14, #15	#15. Castroviejo Needle Holder Incl. (#13. NEE0690 Excl.)
4	KIT0611C	#1~#12, #15, #16	#15. Castroviejo Needle Holder Incl. #16. Drop Blade Scalpel Handle Incl. (#13. NEE0690 & #14. HDL0605 : Excl.)

Optional Instruments

Drop Blade Scalpel Handle

- Replaces HDL0605 Bard Parker Scalpel Handle
- Proprietary round handle design allows for maximal control of complex and curved incisions
- One-handed self-ejecting blade design helps eliminate accidental sharps injuries



HDL0428

Castroviejo Needle Holder

- Replaces NEE0690TC Crile-Wood Needle Holder
- Premium locking needle holder with WIDIA® Tungsten Carbide Inserts and spring-loaded opening action



NEE0001

Surgical Hand Instruments

Karl Schumacher Basic Kit

- Instruments hand-selected by Hiossen's AIC course directors
- 29 Instruments with sterilization cassette
- Commonly used surgical instruments

KIT0813



Karl Schumacher Basic Kit: Contents

No	Item Code	Description	Remark
1	PEL0715	Molt #9 Periosteal Elevator #715, Standard Periosteal / Pointed Periosteal	STANDARD
2	PEL6624	Prichard Periosteal Elevator #624, Sm. Round Handle, Retractor / Standard Periosteal	STANDARD
3	PEL0623D	Seldin Periosteal Elevator #23D, Large Flap Retractor / Small Flap Retractor	STANDARD
4	PEL6724G	Periosteal Elevator #724G, Fine Pattern, Standard Periosteal / Angled Straight Chisel	STANDARD
5	MOS0613	Halsted Mosquito Forceps #613, Curved, 12cm	STANDARD
6	TIF0804S	Adson-Brown Tissue Forceps #804, Serrated Tip, 12cm	STANDARD
7	SCI0669TC	Iris Scissors #669, Straight, 11.5cm, Tungsten Carbide	STANDARD
8	SCI0677SC	LaGrange Scissors #677, Curved, 11.5cm	STANDARD
9	RON0013	Rongeur #13, Friedman, 30°, 13cm	STANDARD
10	MAL0501	Mallet #650, Lead Filled w/ Replaceable Nylon Faces, 18cm	STANDARD
11	SCA6250	Gracey Curette #250, Specific (Gracey 11/12), #6 Handle	STANDARD
12	RET0808	Minnesota Retractor #808, 14.5cm	STANDARD
13	NEE0691	Mayo-Hegar Needle Holder #691, Tungsten Carbide, 15cm	STANDARD
14	HDL0601	Scalpel Handle #601, Round, Straight, 15.5cm	STANDARD
15	HDL0605	Scalpel Handle #605, (Bard Parker #3), Flat w/ 60mm Markings, 12.5cm	STANDARD
16	BCH0082CN	Oschenbein Chisel #C82N, Oschenbein #2, Cutout Sides, Inside Curvature Bevels, 16cm	STANDARD
17	ASP0000SH	Surgical Handle for Aspiration Tips #SH	STANDARD
18	ASP0010	1.5mm Aspiration Tip for Use w/ ASP0000SH #14P1	STANDARD
19	ASP0010L	2.0mm Aspiration Tip for Use w/ ASP0000SH	STANDARD
20	ASP0011	2.5mm Aspiration Tip for Use w/ ASP0000SH #14P2	STANDARD
21	ASP0012	3.0mm Aspiration Tip for Use w/ ASP0000SH #14P3	STANDARD
22	CPL0561	Cotton Pliers #561, Angled, No Lock, 15cm	STANDARD
23	HDL0493C	Mirror Handle #493C, Cone Socket, Handform, 13.5cm	STANDARD
34	MIR0005CF	Mirror #5, Ø24mm, Cone Socket, Front Surface, Ea.	STANDARD
25	CAL0005	Castro Caliper #5, Angled, 40mm Scale, 18cm	STANDARD
26	BCU0711	Lucas Surgical Bone Curette #711, 3.0mm Wide	STANDARD
27	BCU0712	Lucas Surgical Bone Curette #712, 4.25mm Wide	STANDARD
28	TOC0789	Backhaus Towel Clamp #789, 8.25cm	STANDARD
29	85.251.00	Stainless Steel Mixing Cup w/ Lid, 30mm X 40mm Dia.	STANDARD
30	CAS8001	Stainless Steel Cassette #8001, Extra Large, Gray Inserts, 14.5 X 8 X 1.25 In.	STANDARD

HIOSSEN[®]
I M P L A N T

Surgical Hand Instruments

Dowell Implant Kit

- Instruments hand-selected by Hiossen's AIC course directors
- 14 Instruments with sterilization cassette
- Ideal for implant related procedures



DHIKIT

Dowell Implant Kit: Contents

No	Item Code	Description	Remark
1	S1261P	Autoclavable Plastic Cassette	STANDARD
2	S1104	Periosteal Elevator / Buser	STANDARD
3	S1180	Minnesota Retractor	STANDARD
4	S1019T	Chisel 13K/TG Titanium	STANDARD
5	S1098	Periosteal Elevator / Molt-9	STANDARD
6	S1172TC	Scissors T/C Iris Curved 11.5cm	STANDARD
7	S1161	Castroviejo Needle Holder	STANDARD
8	S1110S	Lucas Curette JK84 Serration	STANDARD
9	S1255BZM	Tissue Forcep	STANDARD
10	S1289	Scalpel Handle	STANDARD
11	S1195	Syringe for Cartridge with Harpoon 1.8ml	STANDARD
12	D1016	Mirror Handle w/ Mirror	STANDARD
13	D1010W	Tissue, Cotton & Dressing Pliers	STANDARD
14	D1001	Explorer 5	STANDARD

Dowell Basic Kit

- Instruments hand-selected by Hiossen's AIC course directors
- 29 Instruments with sterilization cassette
- Commonly used surgical instruments



DHBKIT

Dowell Basic Kit: Contents

No	Item Code	Description	Remark
1	S1098	Molt 9	STANDARD
2	S1107	Seldin	STANDARD
3	S1100	Prichard 3	STANDARD
4	S1180	Minnesota Retractor	STANDARD
5	S1020T	13K/LR Chisel	STANDARD
6	S1205	Suction Tip + Cover	STANDARD
7	S1102	P24G	STANDARD
8	D1010ZS	Wide Twisser Plier	STANDARD
9	D1016	Mirror Set	STANDARD
10	H1012	GR11/12	STANDARD
11	S1065	Bone Well Round	STANDARD
12	S1067	Bone Caliper Curved (Small)	STANDARD
13	S1080	Adson Tissue Plier With Saw 12cm	STANDARD
14	S1110S	Lucas Curette 84S	STANDARD
15	S1112S	Lucas Curette 86S	STANDARD
16	S1127	Mallet	STANDARD
17	S1138	Bone Rongeur Friedman, 14cm	STANDARD
18	S1144C	Hemostat Mosquito 12cm CVD	STANDARD
19	S1155	Mayo-Hegar Needle Holder	STANDARD
20	S1170	La Grange Scissor No T/C	STANDARD
21	S1172	Iris Scissor	STANDARD
22	S1188	Scalpel Handle Flat	STANDARD
23	S1190	Scalpel Handle Straight	STANDARD
34	S1327	Towel Clamp	STANDARD
25	S1261P	Autoclavable Case	STANDARD



GBR

XENOGRAFT

276 A-Graft

ALLOGRAFT

276 SureFuse II / ExFuse II

277 SureOss / SureOss-D / OsteOss

278 ExOss

279 ExOss Plus

ABSORBABLE MEMBRANE

280 Cytoplast RTM Collagen / SureDerm

NON-ABSORBABLE MEMBRANE

281 Cytoplast TXT-200 / Cytoplast TI-250

Xenograft Bone

A-Graft

- DBB (deproteinized bovine bone)
- Bone conduction ability
- Excellent volume maintenance
- Excellent biocompatibility
- Manufacturer: HIOSSEN, Inc.
- Raw material: USA
- Made in USA
- P = Particle Size

g \ P **0.25~1.0mm (Small)**

0.1	(0.2cc)	HAS 010SV
0.25	(0.5cc)	HAS 025SV
0.5	(1.0cc)	HAS 050SV
1.0	(2.0cc)	HAS 100SV
2.0	(4.0cc)	HAS 200SV

g \ P **1.0~2.0mm (Large)**

0.1	(0.3cc)	HAS 010LV
0.25	(0.75cc)	HAS 025LV
0.5	(1.5cc)	HAS 050LV
1.0	(3.0cc)	HAS 100LV
2.0	(6.0cc)	HAS 200LV



Allograft Bone Powder / Chip

SureFuse II

- DBM (allograft)
- Osteoinduction / bone conduction ability
- Syringe delivery, putty type, malleable into different shapes and sizes
- Excellent biocompatibility
- Manufacturer: Hans Biomed Corp.

CC \ **Putty**

0.3	SP 03UH
0.5	SP 05UH
1.0*	SP 1UH



ExFuse II

- DBM (allograft)
- Demineralized allograft + cancellous bone
- Osteoinduction / bone conduction ability
- Syringe delivery, putty type, malleable into different shapes and sizes
- Excellent biocompatibility
- Manufacturer: Hans Biomed Corp.

CC \ **Gel**

0.3	EP 03UH
0.5	EP 05UH
1.0*	EP 1UH



* 0.5cc x2 per box

Allograft Bone Powder / Chip

SureOss (FDBA)

- FDBA (freeze-dried bone allograft)
- 100% allograft cortical bone
- Excellent biocompatibility
- Particle size
 - Powder : 200~850 µm
 - Chip : 850~1000 µm
- Manufacturer: Hans Biomed Corp.

CC Powder

0.25	SOP25UH
0.5	SOP50UH
1.0*	SOP100UH



CC Chip

0.25	SOC25UH
0.5	SOC50UH
1.0*	SOC100UH

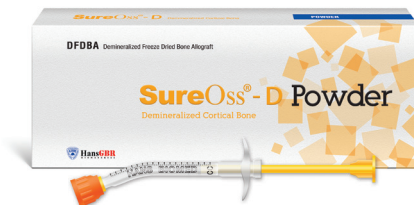


SureOss-D (DFDBA)

- DFDBA (demineralized freeze-dried bone allograft)
- 100% demineralized allograft bone
- Excellent biocompatibility
- Particle size
 - Powder : 200~850 µm
 - Chip : 850~1000 µm
- Manufacturer: Hans Biomed Corp.

CC Powder

0.25	DSOP25UH
0.5	DSOP50UH
1.0*	DSOP100UH



CC Chip

0.25	DSOC25UH
0.5	DSOC50UH
1.0*	DSOC100UH



OsteOss (FDBA)

- FDBA (freeze-dried bone allograft)
- 100% allograft bone (cortical + cancellous bone)
- Particle size
 - Powder : 200~850 µm
 - Chip : 850~1000 µm
- Manufacturer : Hans Biomed Corp.

CC Powder

0.25	CCP25UH
0.5	CCP50UH
1.0*	CCP100UH



CC Chip

0.25	CCC25UH
0.5	CCC50UH
1.0*	CCC100UH



* 0.5cc x2 per box

Allograft Bone Powder / Chip

ExOss™ (FDBA)

- 100% Allograft Cortical Bone
- 3-dimensional lattice structure enables a fast revascularization
- Osteoconductive ability
- Osteoinductive ability
- Biocompatibility
- Manufacturer: Hans Biomed Corp.



GBR

278

ExOss™ Chip 850~1,500 μm

CC	Chip
0.25	EOSOC25UH
0.5	EOSOC50UH
1.0	EOSOC100UH
2.0	EOSOC200UH
5.0	EOSOC500UH



ExOss™ Powder 200~850 μm

CC	Powder
0.25	EOSOP25UH
0.5	EOSOP50UH
1.0	EOSOP100UH
2.0	EOSOP200UH
5.0	EOSOP500UH



Allograft Bone Powder / Chip

ExOss™ Plus (FDBA)

- 50% allograft cortical bone and 50% cancellous bone
- 3-dimensional lattice structure enables a fast revascularization
- Osteoconductive ability
- Osteoinductive ability
- Biocompatibility
- Manufacturer: Hans Biomed Corp.



ExOss™ Plus Chip 850~1,500 μm

CC	Chip
0.25	EOCCC25UH
0.5	EOCCC50UH
1.0	EOCCC100UH
2.0	EOCCC200UH
5.0	EOCCC500UH



ExOss™ Plus Powder 200~850 μm

CC	Powder
0.25	EOCCP25UH
0.5	EOCCP50UH
1.0	EOCCP100UH
2.0	EOCCP200UH
5.0	EOCCP500UH



Absorbable Membrane Collagen

Cytoplast RTM Collagen

- Bovine collagen
- RTM = Resorbable Tissue Matrix
- Long-lasting bovine collagen membrane
- Resorption profile of 26~38 weeks
- Soft handling but not flimsy, high tensile strength
- Packing unit : 2ea
- Manufacturer : Osteogenics, USA
- T = Thickness

mm \ T	0.3mm
15 X 20	RTM1520
20 X 30	RTM2030
30 X 40	RTM3040

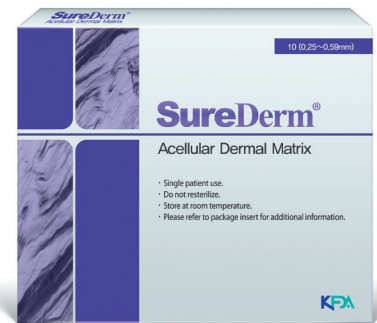


Absorbable Membrane Homologous Dermis

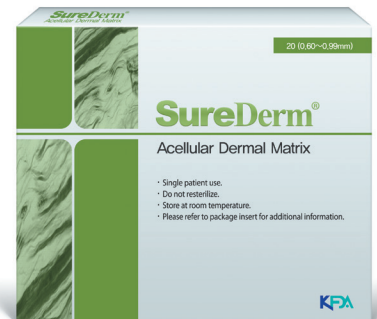
SureDerm

- Made from human dermis (homologous acellular dermis)
- Membrane and gingiva reconstruction
- Freeze-dried, rehydration required
- Excellent biocompatibility
- Manufacturer: Hans Biomed Corp.
- T = Thickness

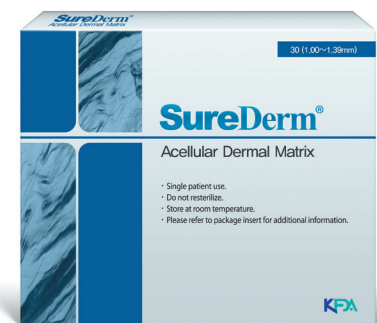
mm \ T	0.25~0.59mm
10 X 20	G102002UH
10 X 40	G102004UH
20 X 20	G102008UH
20 X 40	G102104UH



mm \ T	0.60~0.99mm
10 X 20	G202002UH
10 X 40	G202004UH
20 X 20	G202008UH
20 X 40	G202104UH



mm \ T	1.00~1.39mm
10 X 20	I302002UH
10 X 40	I302004UH
20 X 20	I302008UH
20 X 40	I302104UH



Non-Absorbable Membrane

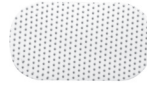
Cytoplast TXT-200

- Non-resorbable membrane
- 100% medical grade PTFE
- Minimized risk of bacterial infection
 - Size of membrane pore : 0.3mm
 - Size of bacteria : 2~5mm
- Excellent biocompatibility
- Manufacturer: Osteogenics, USA

mm \ TXT-200 Singles

12 X 20

TXT1224



mm \ TXT-200

25 X 30

TXT2530



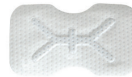
Cytoplast TI-250

- Non-resorbable membrane + titanium reinforced
- Membrane can be molded and shaped for tenting and space Maintenance
- Minimized risk of bacterial infection
 - Size of membrane pore : 0.3mm
 - Size of bacteria : 2~5mm
- Excellent biocompatibility
- Manufacturer : Osteogenics, USA

mm \ Ti-250 Anterior Single

14 X 24

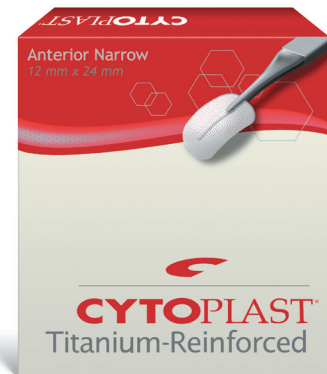
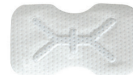
TI250AS-1



mm \ Ti-250 Anterior Double

14 X 24

TI250AS-2



mm \ Ti-250 Posterior Single

20 X 25

TI250PS-1



mm \ Ti-250 Posterior Double

20 X 25

TI250PS-2



mm \ Ti-250 Posterior Single Large

25 X 30

TI250PL-1



mm \ Ti-250 Posterior Double Large

25 X 30

TI250PL-2





DENTAL MATERIAL

IMPRESSION

284 Suflex

SUTURE

288 Nylon Suture / PTFE Suture

DISPOSABLE DENTAL NEEDLE

289 Anesthetic Needle

Impression Materials *Suflex™*

Suflex™

- Premium VPS impression material made by superior German technology
- Fast setting for rapid impression-taking
 - Work time : 1min
 - Setting time : 1min 30sec
- Excellent thixotropy properties for precise impression-taking

50ml Cartridges

	Item Description	Item Code
Light Body	2 cartridges (12 mixing tips)	SUF50LA
	10 cartridges (50 mixing tips)	SUF50LB



	Item Description	Item Code
Mono Body	2 cartridges (12 mixing tips)	SUF50MA
	10 cartridges (50 mixing tips)	SUF50MB



	Item Description	Item Code
Heavy Body	2 cartridges (12 mixing tips)	SUF50HA
	10 cartridges (50 mixing tips)	SUF50HB



Putty

	Item Description	Item Code
Putty	Base 450ml Catalyst 450ml	SUFPA



380ml Automix Cartridges

	Item Description	Item Code
Auto Mono Econo Refill	Base 317ml (1ea) Catalyst 63ml (1ea)	SUFAMO



	Item Description	Item Code
Auto Heavy Econo Refill	Base 317ml (1ea) Catalyst 63ml (1ea)	SUFAHO



Impression Materials *Accessory*

Mixing Tips & Accessories Premium / Sulzer Mixpac Genuine Product (Suflex™)

50ml Heavy Body Mixing Tip 50

Length	Item Code
87mm	SUF50GM



50ml Light Body Mixing Tip 50

Length	Item Code
70mm	SUF50YM



380ml Suflex Auto Mixing Tip 50

Item Code
SUFAM380



50ml Dispenser Gun

Item Code
SUF50DA

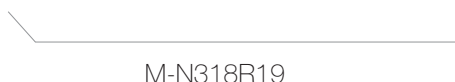


HIOSSEN[®]
IMPLANT

Suture

UNIFY® Nylon Surgical Sutures

- Nylon M, Size 3-0, 18", 19mm 3/8 Rev Cut, Black
- Packing Unit : 12 Individual Sterile Packs Per Box

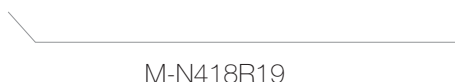


M-N318R19



UNIFY® Nylon Surgical Sutures

- Nylon M, Size 4-0, 18", 19mm 3/8 Rev Cut, Black
- Packing Unit : 12 Individual Sterile Packs Per Box



M-N418R19



OSTEOGENICS Cytoplast™ Non-Absorbable PTFE Sutures

- White Monofilament
- Soft and comfortable for patients
- Excellent handling and knot security
- Suture Length: 45 cm
- Packing Unit : 12 Individual Sterile Packs Per Box



Item Description

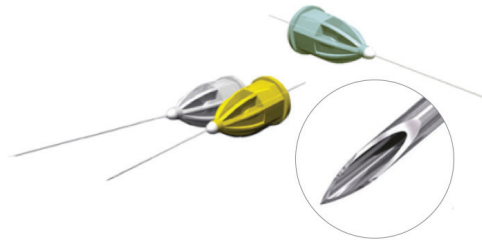
Item Code

Cytoplast™ CS-04 PTFE Suture (USP 2-0 / EP 3)	CS0418
Cytoplast™ CS-05 PTFE Suture (USP 3-0 / EP 2)	CS0518
Cytoplast™ CS-06 PERIO PTFE Suture (USP 4-0 / EP 1.5)	CS0618PERIO
Cytoplast™ CS-06 Premium PTFE Suture (USP 4-0 / EP 1.5)	CS0618PREM
Cytoplast™ CS-06 RC PTFE Suture (USP 4-0 / EP 1.5)	CS0618RC

Disposable Dental Needle

CK Dental Needle (Anesthetic Needle)

- Packing Unit (1 Box = 100 ea)
- Bevel Indicator
- Round cutting edge to protect gum
- Maintain high elasticity during multiple injections
- Easy flow of anesthetic solution
- Substantially reduce pain & tissue trauma during injection (Lancet)
- Ethylene Oxide Gas Sterilization (36°C~60°C) + Blister Packing



Item Description	Gauge	Length	Item Code
Dental Needle 30G X 21mm	30G	21mm	N3021
Dental Needle 27G X 30mm	27G	30mm	N2730
Dental Needle 30G X 25mm	30G	25mm	N3025
Dental Needle 27G X 21mm	27G	21mm	N2721



ORAL CARE

TOOTHPASTE

292 Vussen Toothpaste

TOOTHBRUSH

293 Vussen Toothbrush

Oral Care Vussen Toothpaste

Vussen Toothpaste

- Product lineup available for whitening strength
- Long lasting whitening effect (SHMP* coats the surface of the teeth)
- No harmful chemicals (Triclosan, Paraben, MT, CTM, etc.)



Vussen H

- Whitening Care Toothpaste
- Hydroxyapatite : 5%
- Citrus Mint
- 4.05oz

TPA0001 (1/box)
TPA0002 (10/box)



Vussen 7

- Whitening Care Toothpaste
- Hydrogen Peroxide (H2O2) : 0.75%
- Green Citrus Mint
- 3.38oz

TPA0003 (1/box)
TPA0004 (10/box)



Vussen 15

- Whitening Care Toothpaste
- Hydrogen Peroxide (H2O2) : 1.5%
- Flormint
- 2.82oz

TPA0005 (1/box)
TPA0006 (10/box)



Vussen 28

- Extra Whitening Care Toothpaste
- Hydrogen Peroxide (H₂O₂) : 2.8%
- Floralmint
- 2.82oz

TPA0007 (1/box)
TPA0008 (10/box)



Vussen S

- Sensitive Teeth Care Toothpaste
- Calcium Phosphate : 19%
- Fresh Mint
- 4.05oz

TPA0044 (1/box)
TPA0045 (10/box)



Oral Care Vussen Toothbrush

Vussen Double-Wide Toothbrush

- Wide Sized brush head: 2200 bristles to help clean hard-to-reach places
- Consist of soft and hard bristles: Works gently on enamel and gums
- Different length of bristle (Floss Action): Remove hard-to-reach plaque
- 99.9% Antibacterial

TBA0001 (1/box)
TBA0006 (12/box)



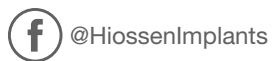




HIOSSEN®
I M P L A N T

270 Sylvan Ave. Ste 1130
Englewood Cliffs, NJ 07632

888.678.0001 | master@hiossen.com | www.hiossen.com



HIOSSEN[®]
I M P L A N T

